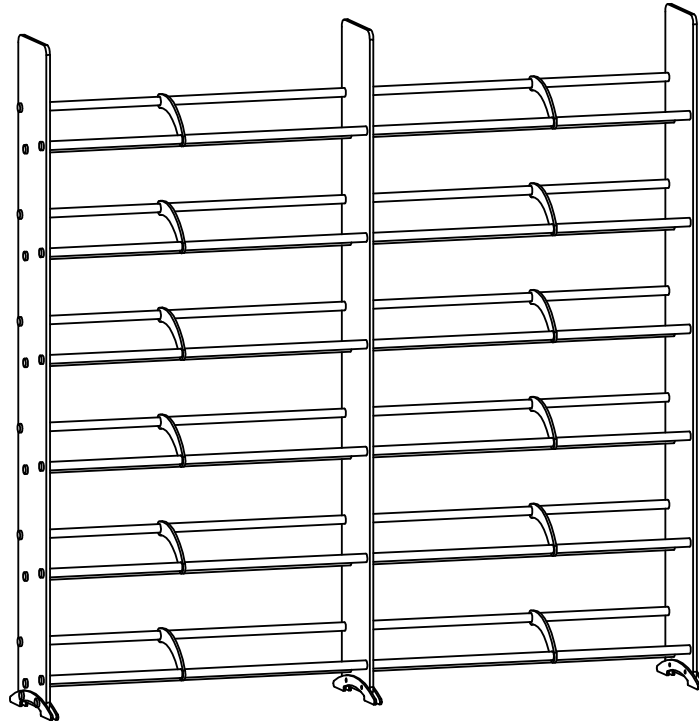













TD320B

Assembly Instructions

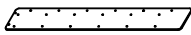
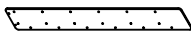
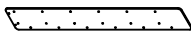
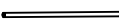


If you have any missing part or question please send email to info@transdecointl.com or call 1-909-606-3833 for assistance. Please have your product model number ready.



Hardware

Part #	Description	QTY
A	Screw M6x18mm 	36
B	Metal Cap 	40
C	Brass Washer 	40
D	Screw M6x25mm 	6
E	Metal Washer 	8
F	Nut 	6
G	Double ended Stud M6x32mm 	18
H	Allen Wrench 	1
I	Wrench 	1

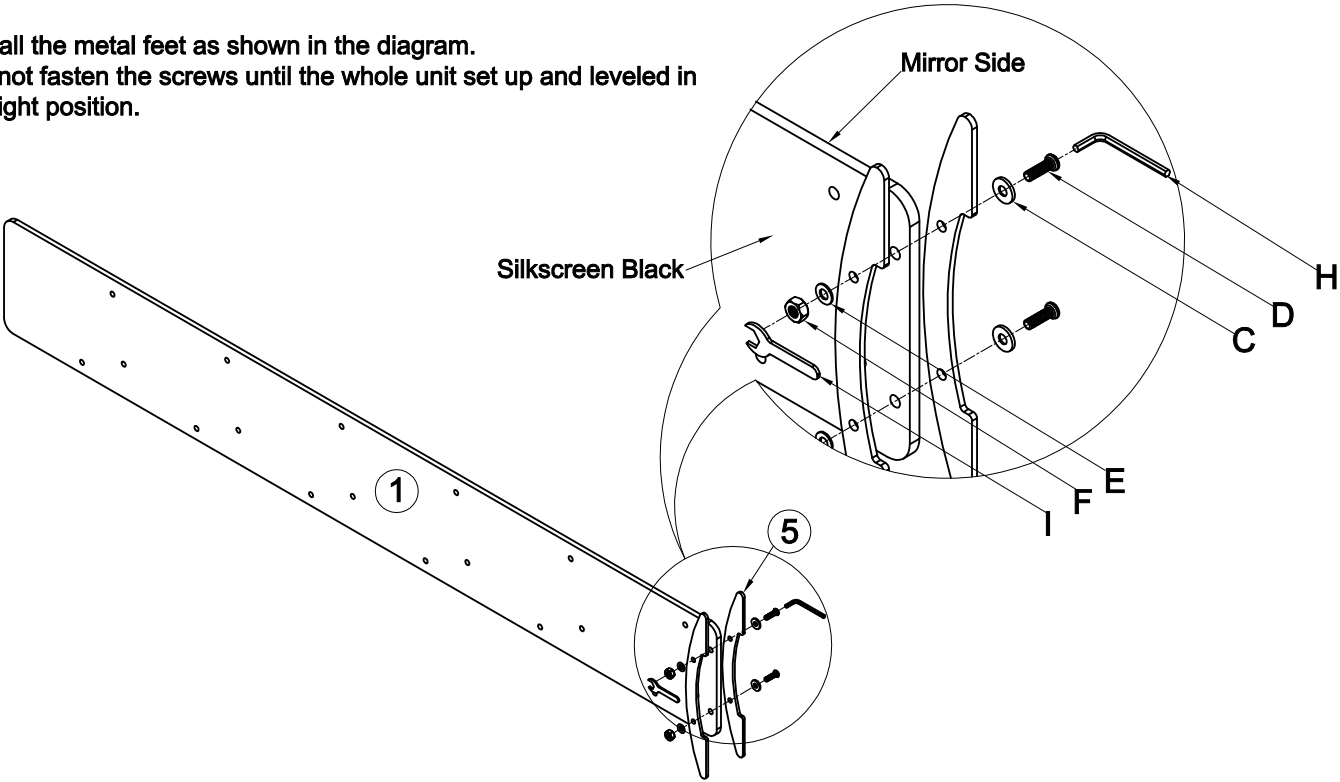
Parts

Part #	Description	QTY
1	Right Glass Panel 	1
2	Middle Glass Panel 	1
3	Left Glass Panel 	1
4	Rod 	36
5	Metal Feet 	6
6	Stopper 	12

TD320B

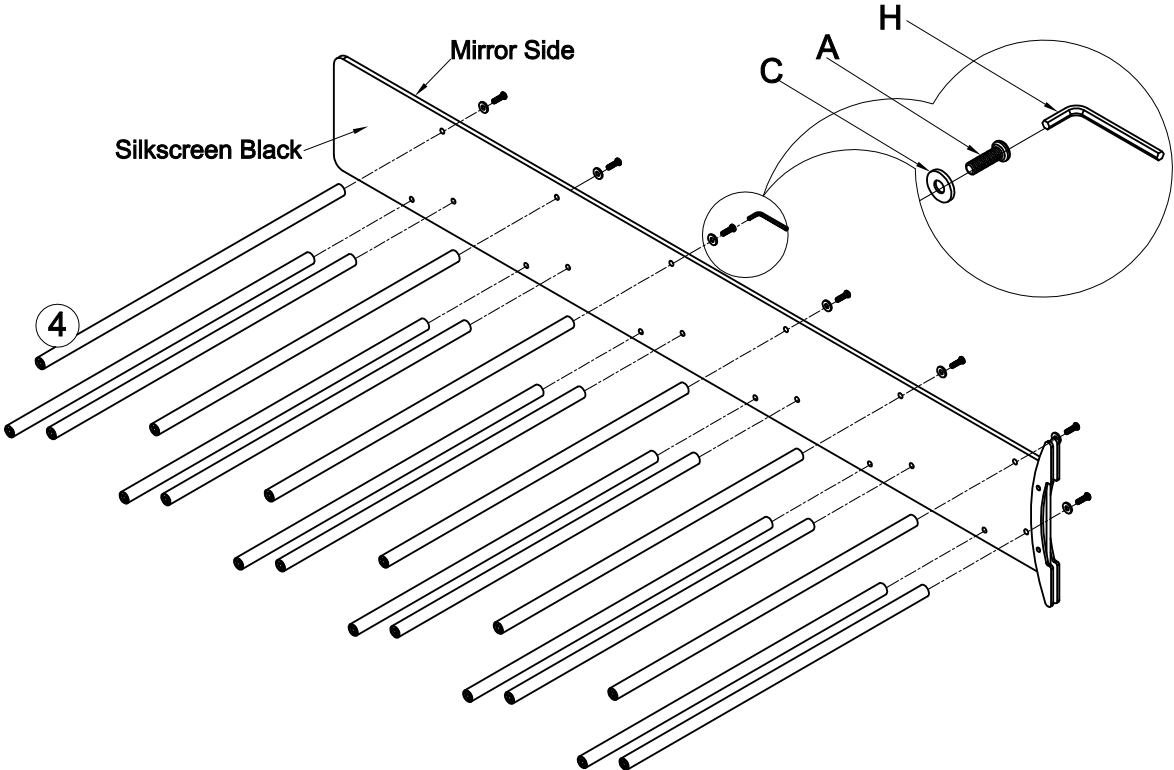
STEP 1

- 1a. Install the metal feet as shown in the diagram.
- 1b. Do not fasten the screws until the whole unit set up and leveled in upright position.



STEP 2

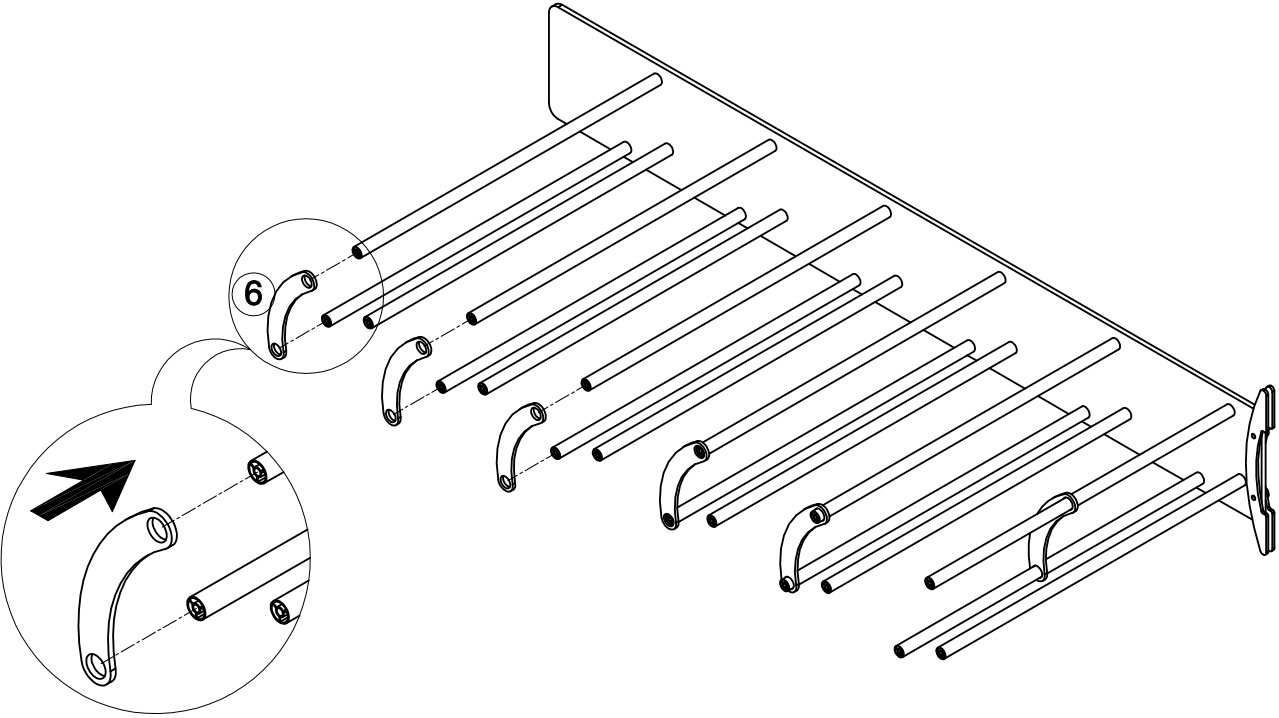
- 2a. Install the rods with the brass washers (flat side against the glass) and screws (Part A).
- 2b. Fasten the screws to 90% tight, do not over tighten the screws.



TD320B

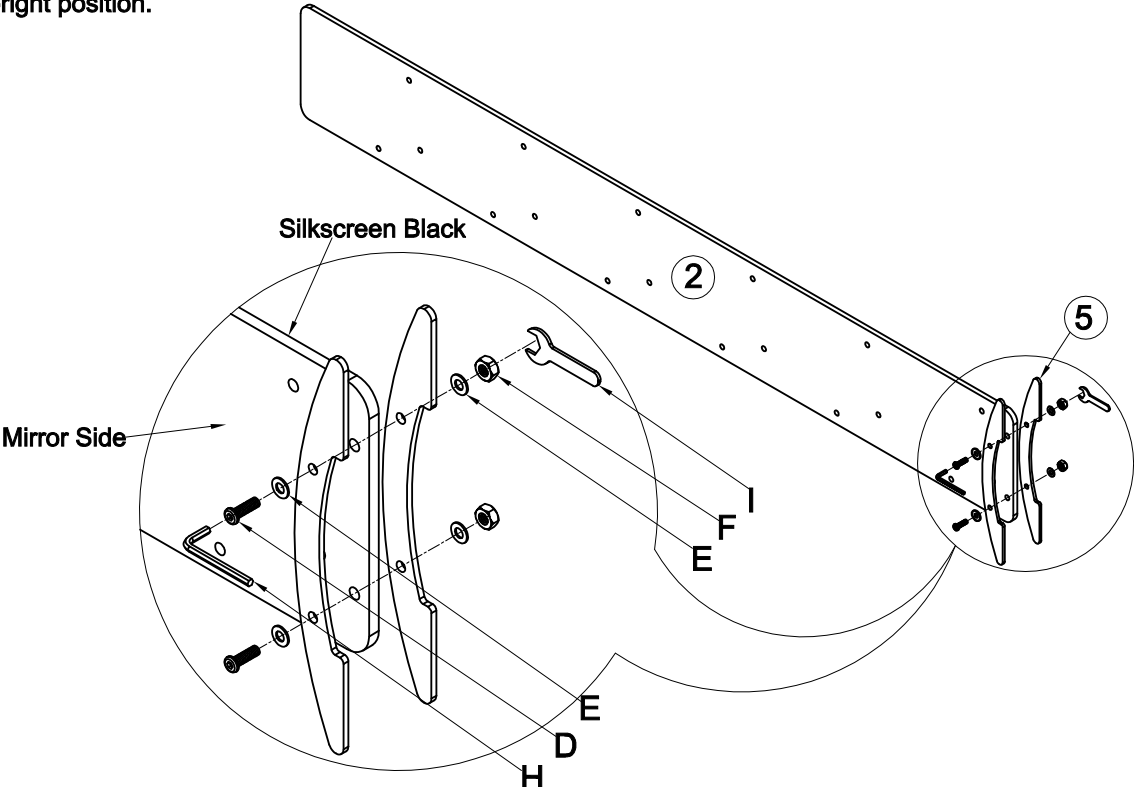
STEP 3

Insert the stoppers into the rods as shown.



STEP 4

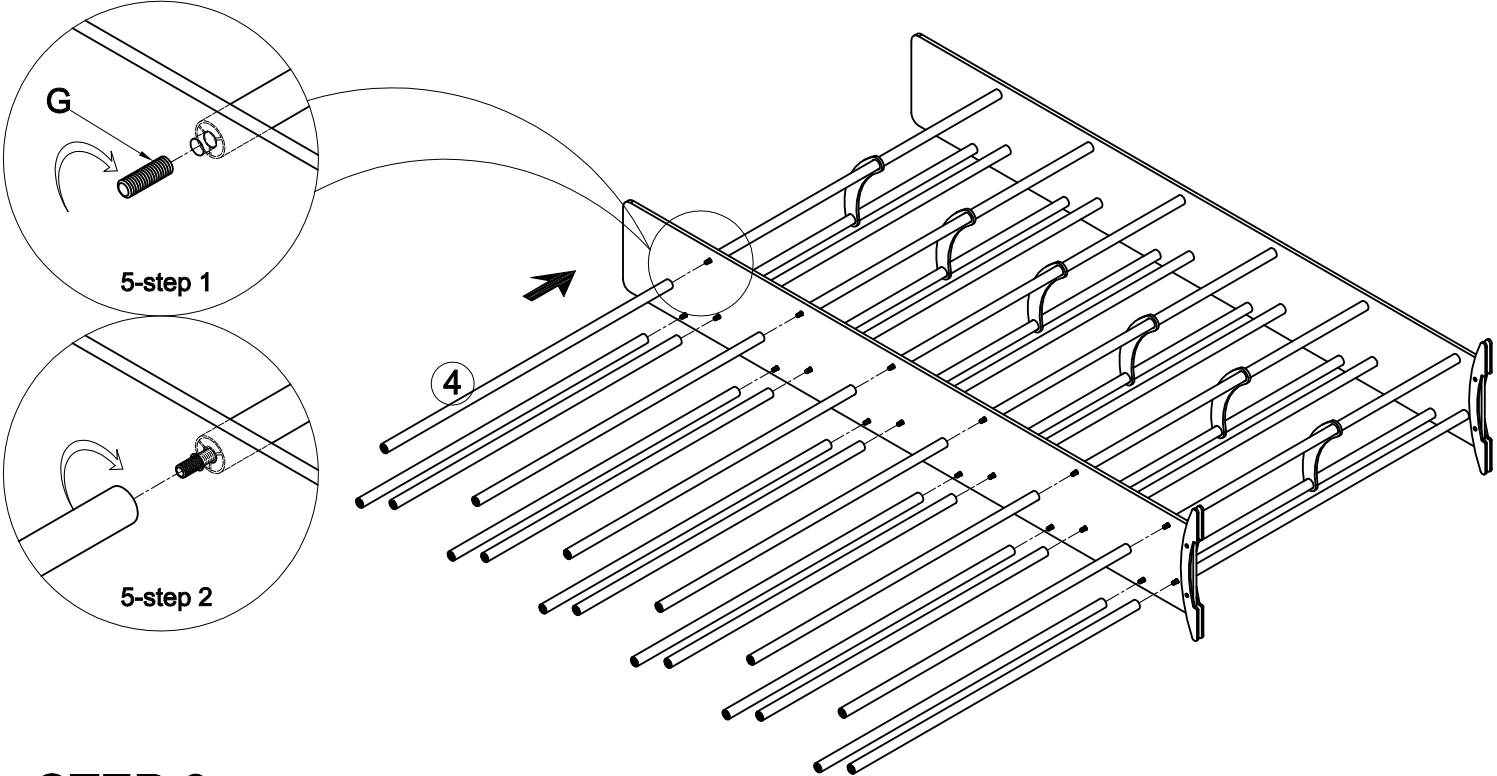
- 4a. Install the metal feet as shown in the diagram.
- 4b. Do not fasten the screws until the whole unit set up and leveled in upright position.



TD320B

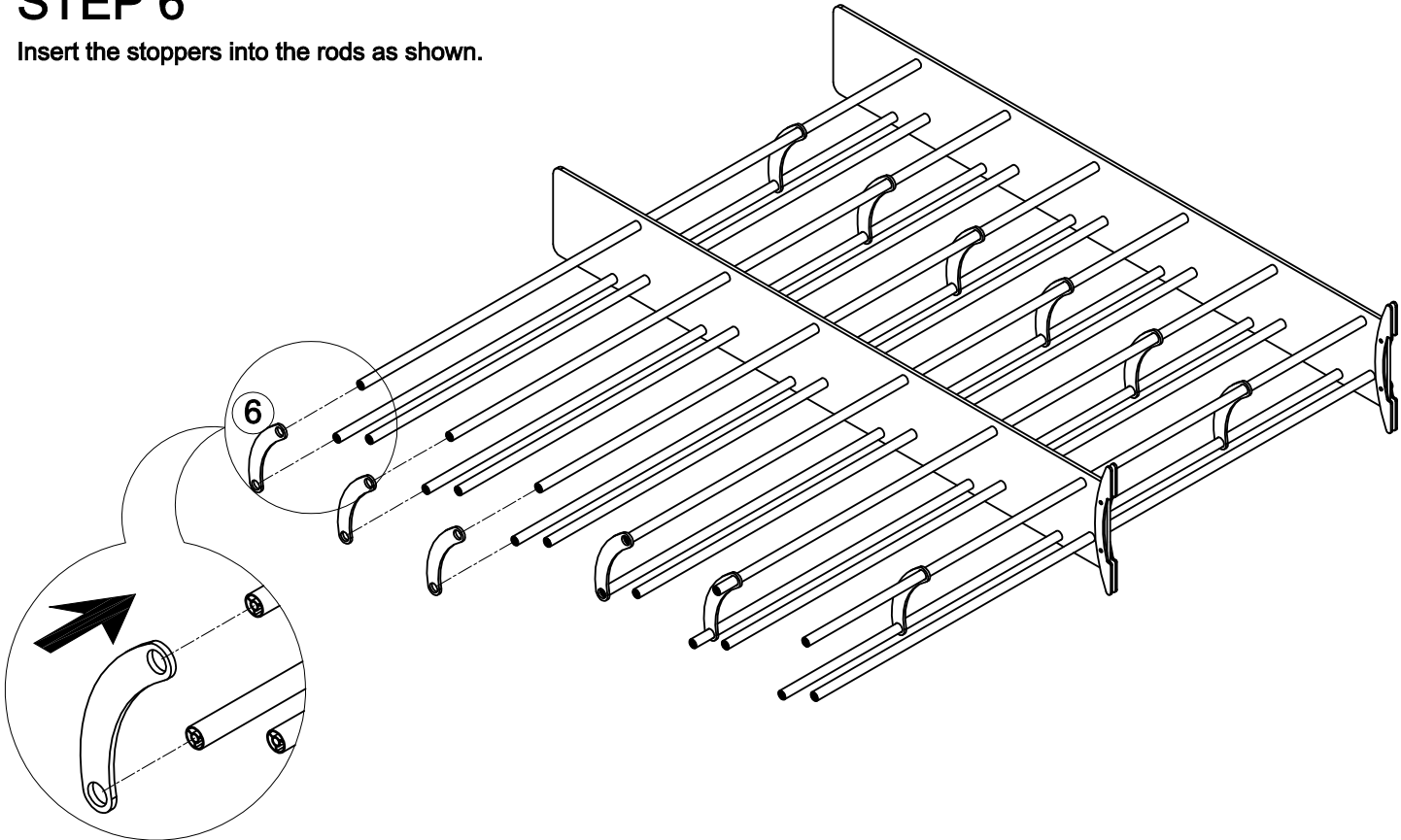
STEP 5

Install the glass panel and the rods as shown.



STEP 6

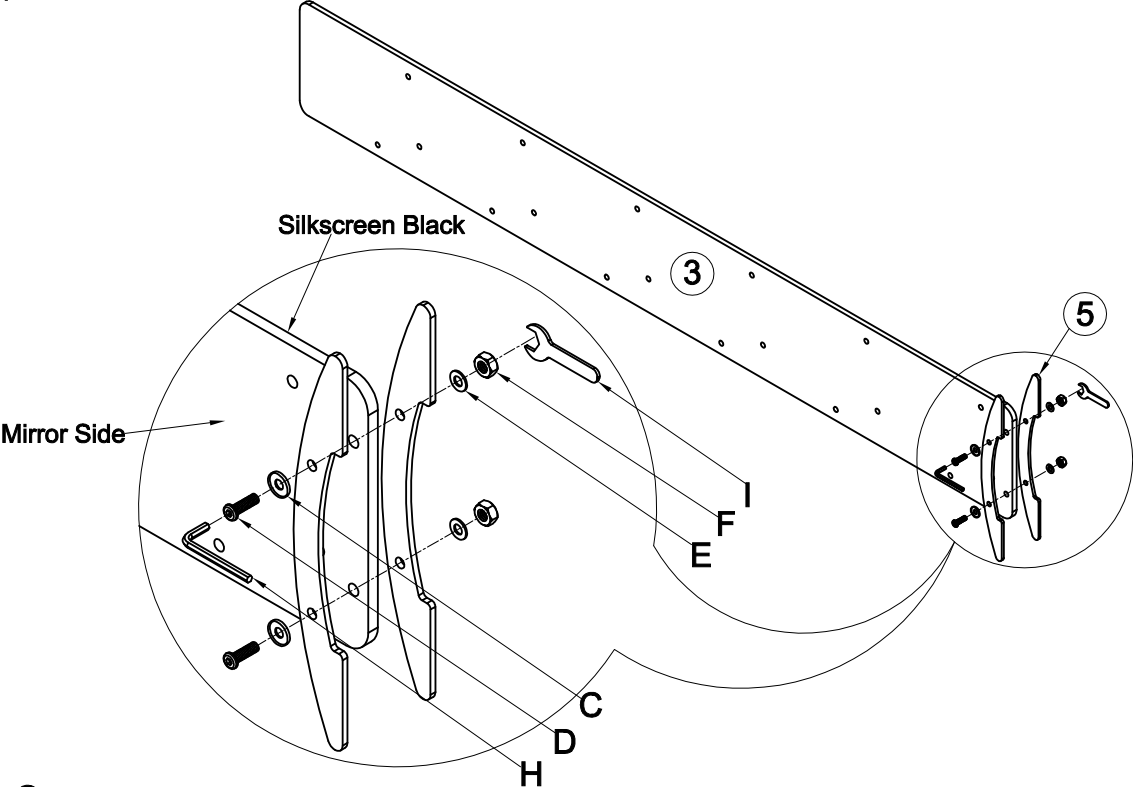
Insert the stoppers into the rods as shown.



TD320B

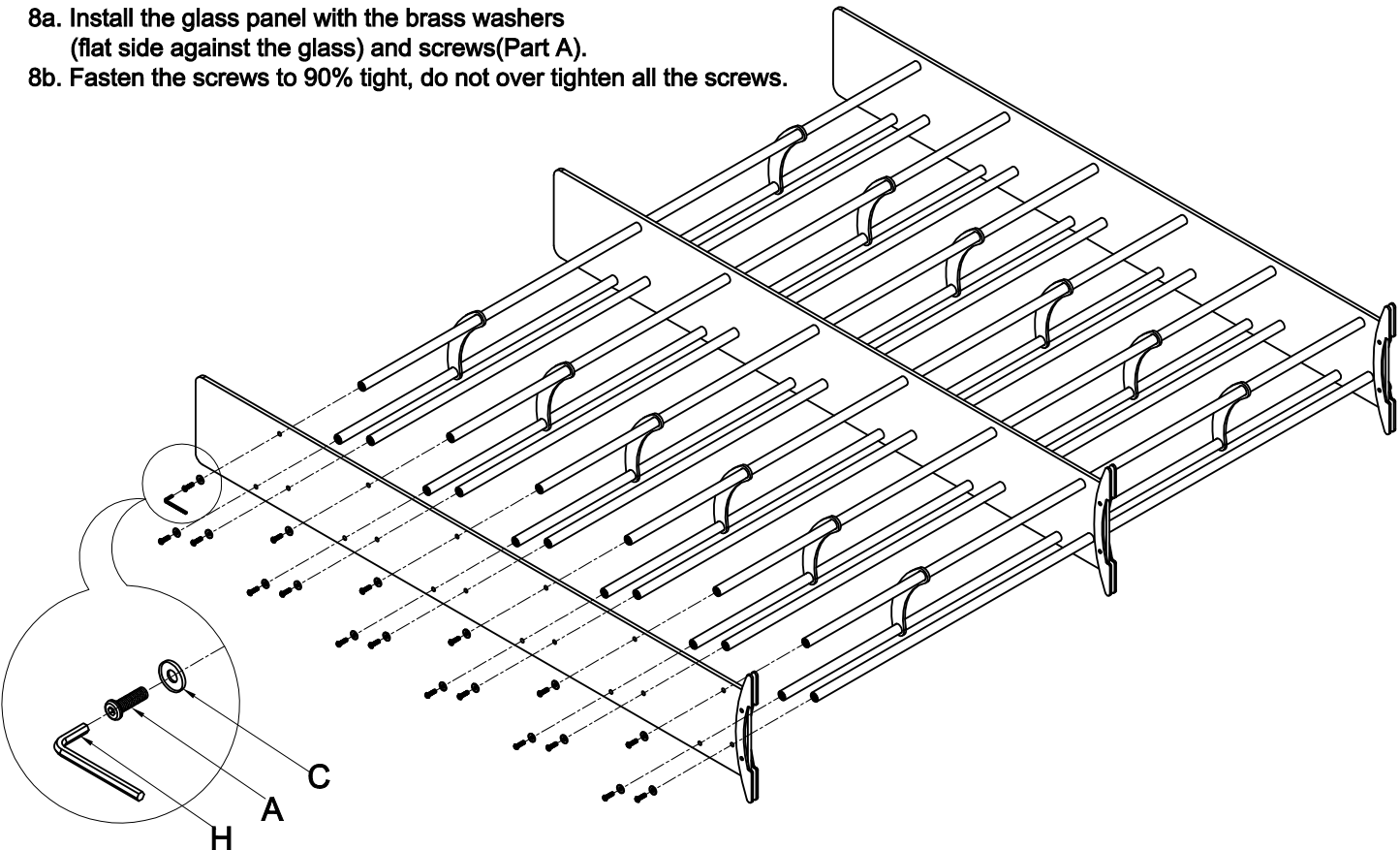
STEP 7

- 7a. Install the metal feet as shown in the diagram.
- 7b. Do not fasten the screws until the whole unit set up and leveled in upright position.



STEP 8

- 8a. Install the glass panel with the brass washers (flat side against the glass) and screws (Part A).
- 8b. Fasten the screws to 90% tight, do not over tighten all the screws.



TD320B

STEP 9

- 9a. Slide each stopper from one side to the other, if it's not smooth then adjust the rod(s);
loosen the screw(s) if necessary.
- 9b. Level the metal feet and fasten all the screws. Do not over tighten the screws.
- 9c. Install all the caps. There is no caps for the middle feet.

