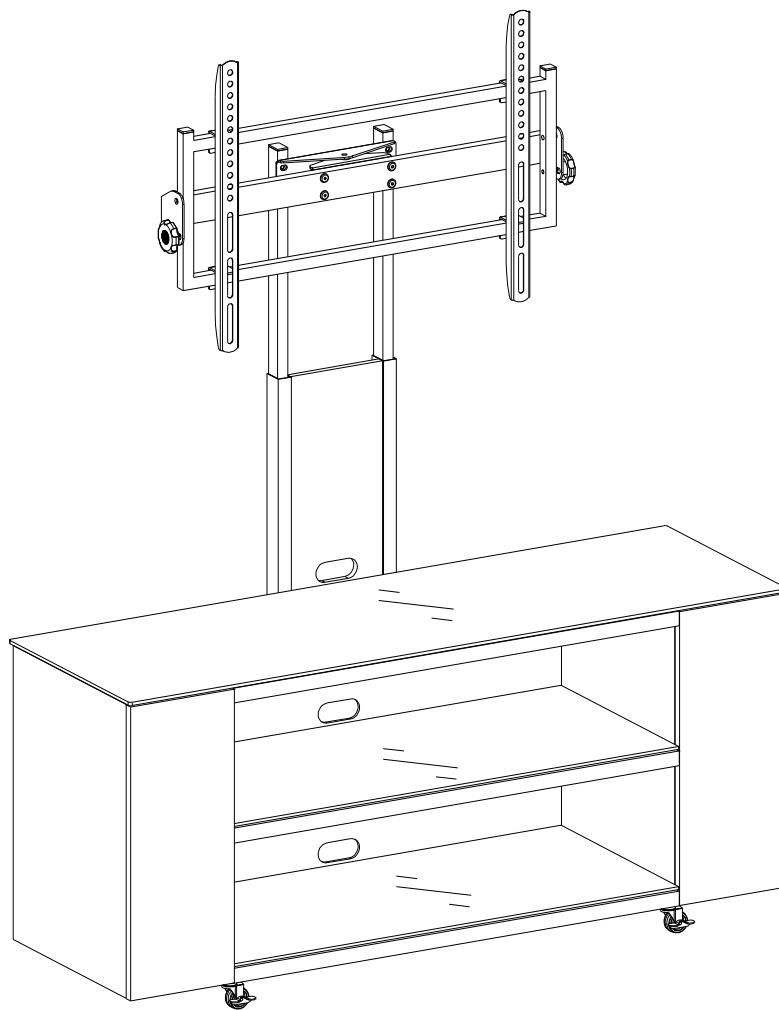












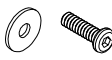





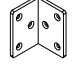

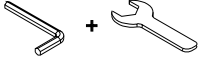
TD987 Series



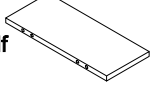
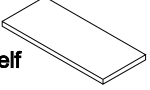
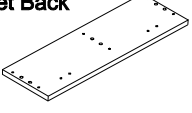
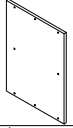
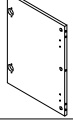

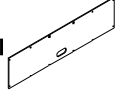

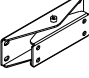
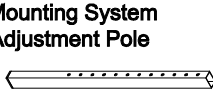

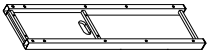
If you have any missing parts or questions please email info@transdecointl.com or call 909-606-3833
Mon - Fri 9 AM to 5 PM pacific time. Please have your product model number available.

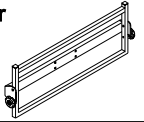
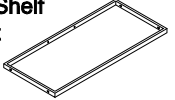
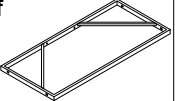
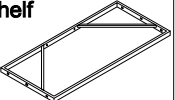
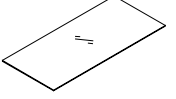
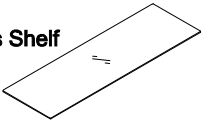


TD987 Series













PART LIST

NO.	DESCRIPTION	QTY
A	Cam lock Screw 	22
B	Cam lock 	22
C	Wood Dowel 	34
D	M6*18mm 	4
E	M6*25mm 	14
F	M6*35mm 	6
G	M6*55mm 	4
H	Wood Screw 	10
I	M4 	8
J	M6*18mm 	4 Set
K	M3.5*14mm 	32
L	M4*50mm 	12
M	Vinyl Bumper 	20
N	Door Bumper 	6
O	Velcro Strip 	4
P	Mounting Bracket Locking Knob 	2
Q	Steel Enforcer 	4
R	Mounting Plate 	4
S	Soft -Close Clip On Hinges 	4
T	Ø30xM8 Adjustable leg 	6
Tool		1set

NO.	DESCRIPTION	QTY
U-L	Caster With Lock 	4
U	Caster 	2
V	Right Wood Shelf 	3
W	left Wood Shelf 	3
X	Cabinet Back Panel 	2
Y	Cabinet Side Panel 	2
Z	Door Side Panel 	2
AA	Door Front Panel 	2
AB	Top Back Panel 	1
AC	Bottom Back Panel 	1
AD	Pivot Device 	1
AE	Mounting System Adjustment Pole 	2
AF	TV Mounting Bracket 	2
AG	Mounting System Support Pole 	1

NO.	DESCRIPTION	QTY
AH	TV Hanger 	1
AI	Middle Shelf Support 	1
AJ	Top Shelf Support 	1
AK	Bottom Shelf Support 	1
AL	Glass Shelf 	2
AM	Top Glass Shelf 	1

TV Mounting Hardware

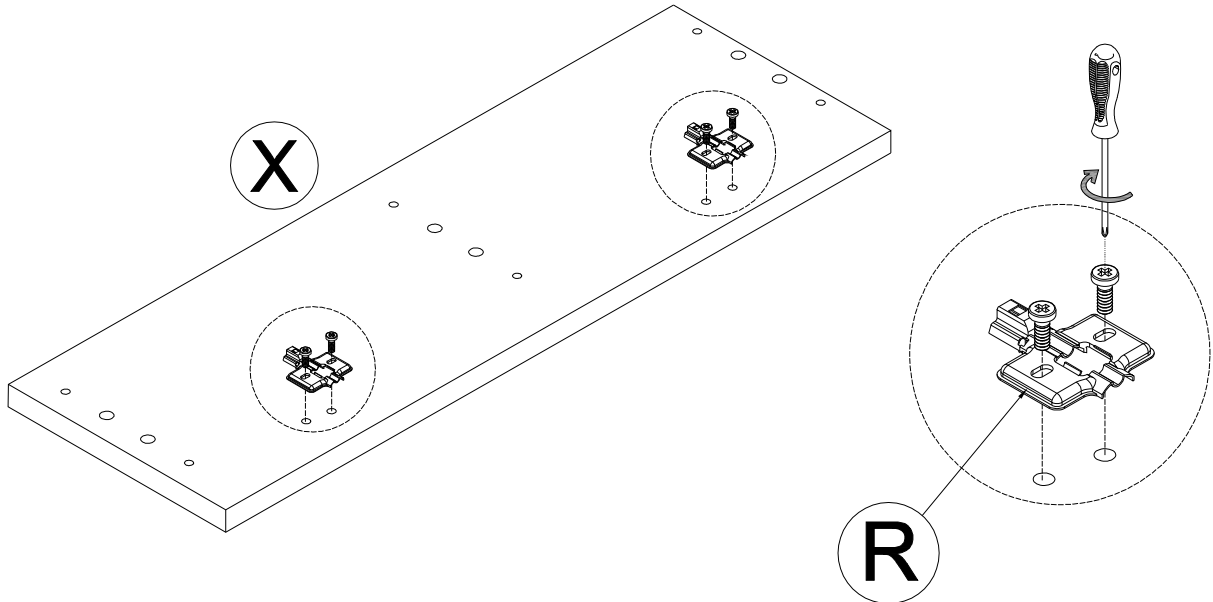
NO.	DESCRIPTION	QTY
S1	 M6x12mm	4
S2	 M8x12mm	4
S3	 M5x32mm	4
S4	 M6x32mm	4
S5	 M8x32mm	4
S6	 M8x51mm	4
S7	 Ø19xØ6.2	4
S8	 Ø22xØ8.2	4
S9	 Ø14x14mm	4
S10	 Ø17.5x21.2mm	4
S11	 Ø25x13mm	4
S12	 Ø25x2mm	4

TD987 Series

STEP 1

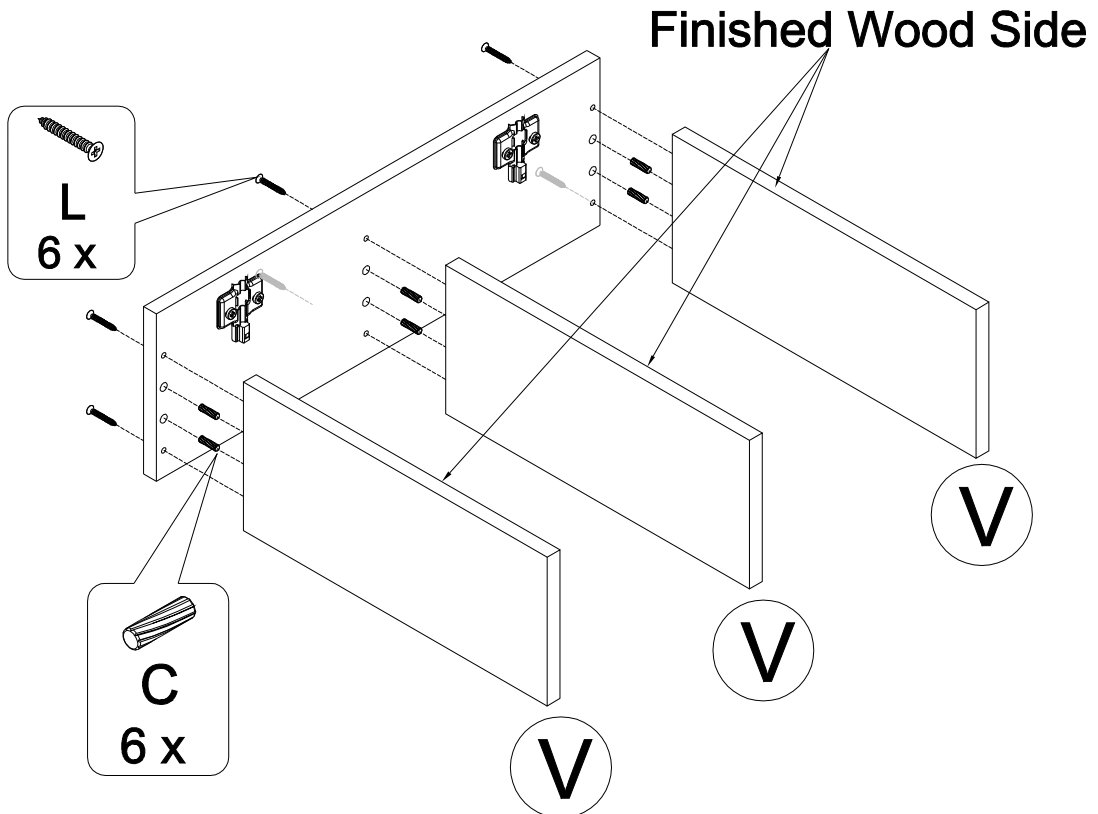
1.1

- * Install the mounting plate (Part R) on the right back panel (Part X)



1.2

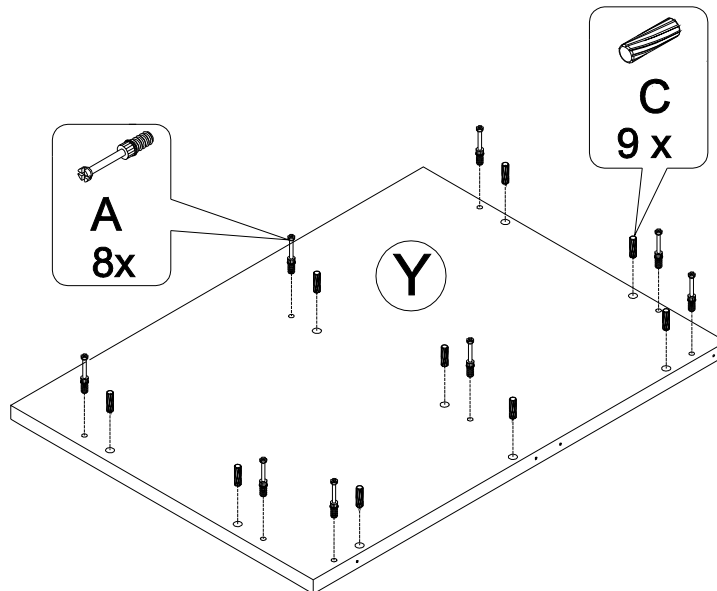
- * Insert wood dowels into the right back panel,
- * Install wood shelves (Part V) and ensure the finished wood side is on top as shown.
- * Align the shelves and tighten the screws.



TD987 Series

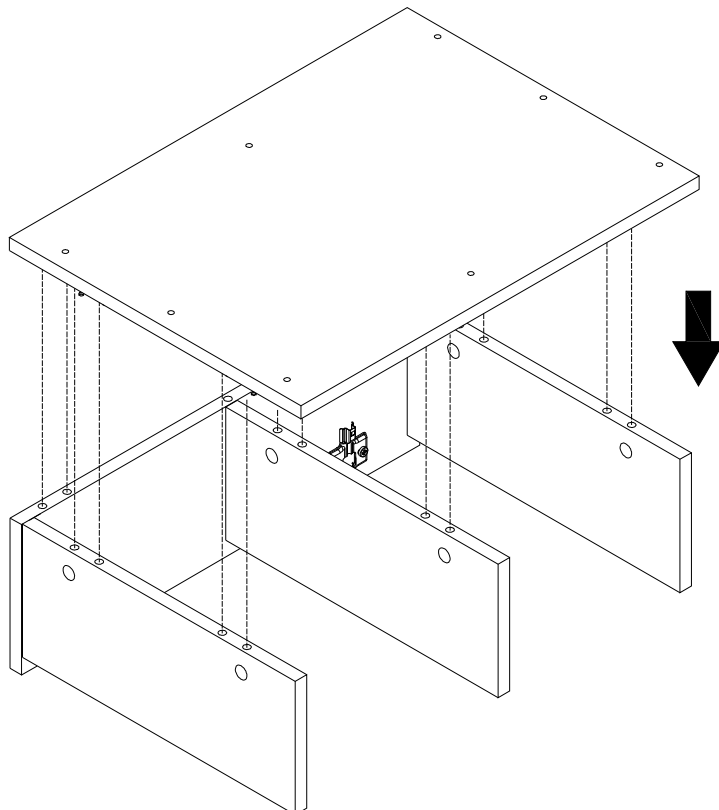
1.3

- * Insert wood dowels into the right side panel (Part Y)
- * Install cam lock screws as shown.
- *** Do not over tighten the screws, it 's not recommended to use a screw driver to tighten it if you don't have to.
An over tightened screw (Part A) will prevent the cam lock to install properly.



1.4

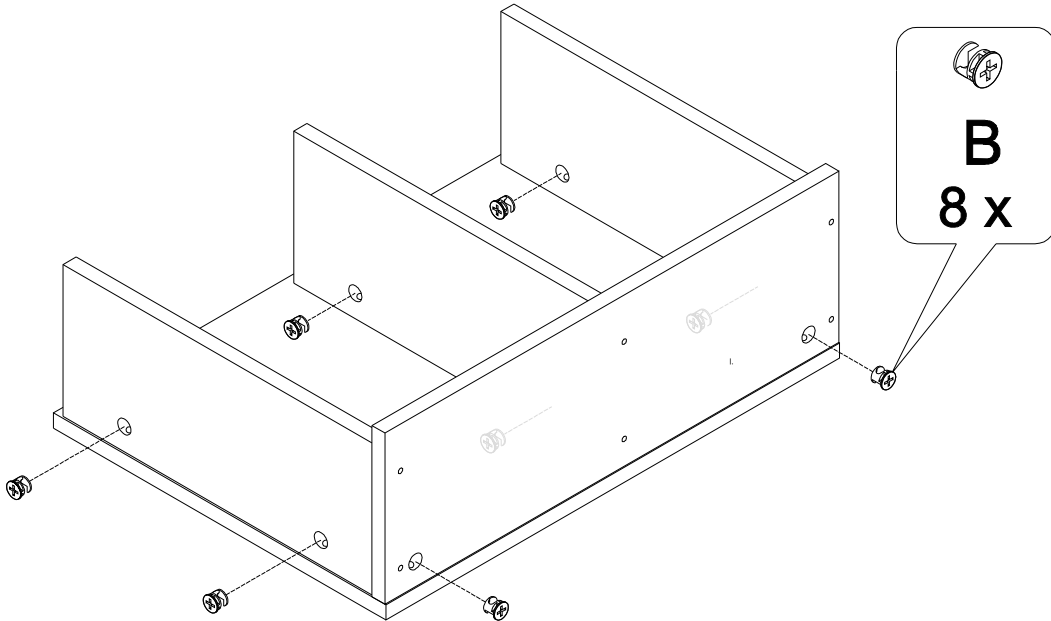
- * Join the side panel with wood shelves as shown



TD987 Series

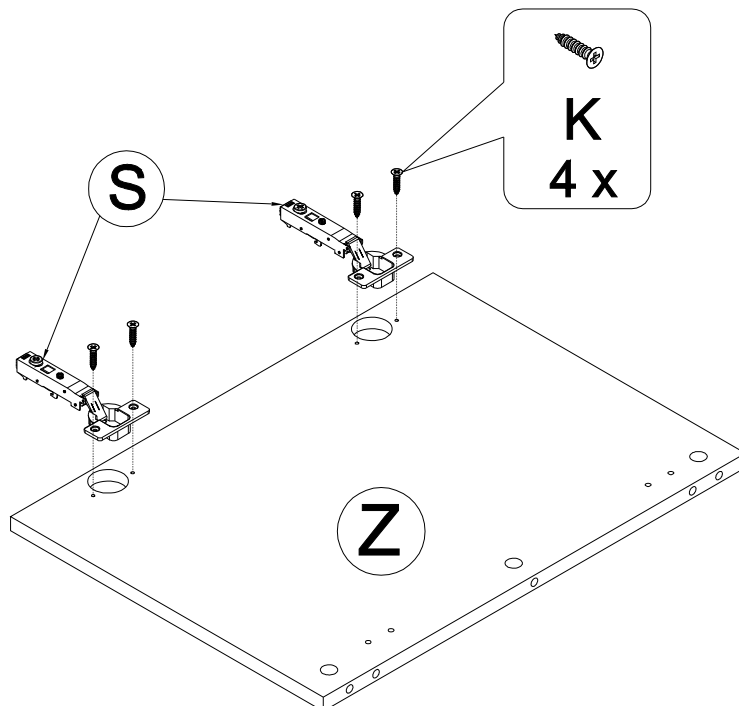
1.5

* Insert the cam locks into the wood panels and turn 210 degree with a flathead screw driver (Not Included) to lock.



1.6

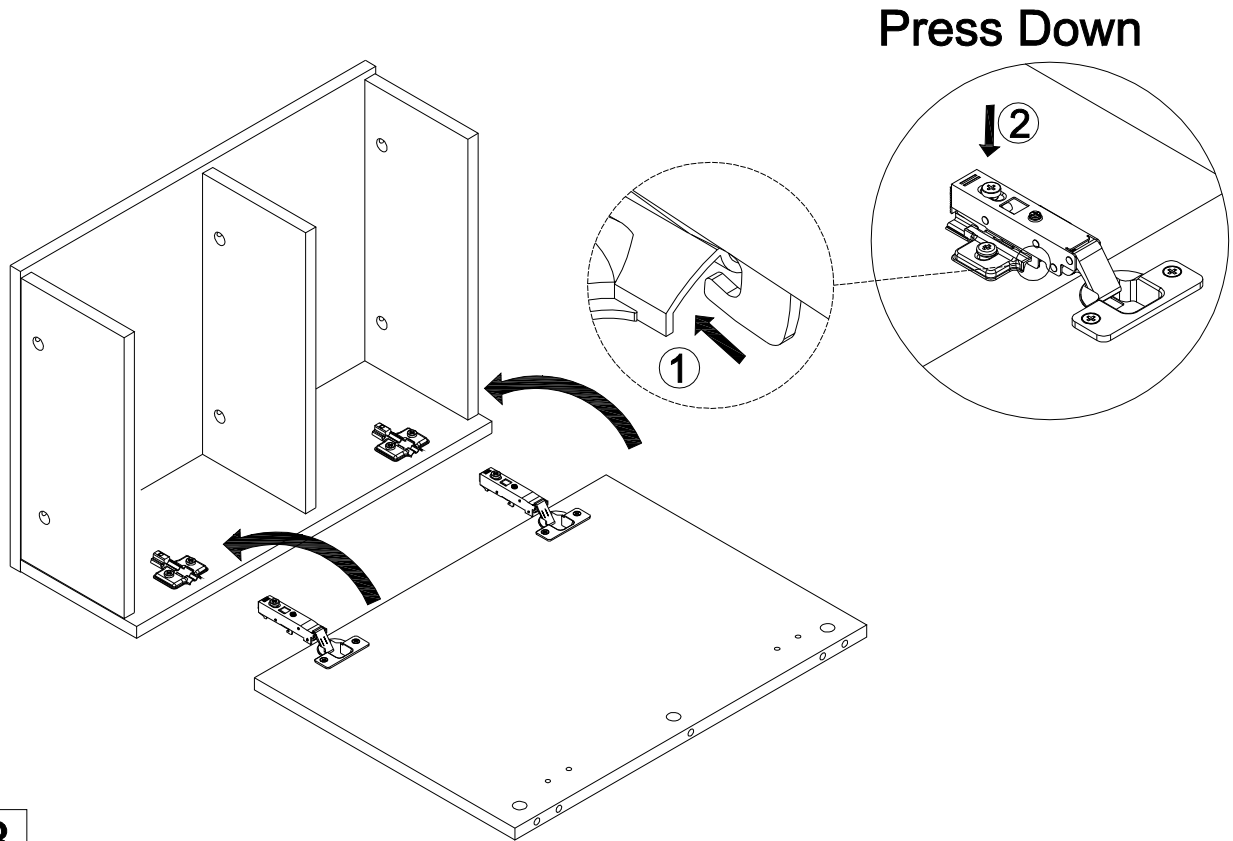
* Install the soft-close clip on hinges (Part S) on the door panel (Part Z) as shown.



TD987 Series

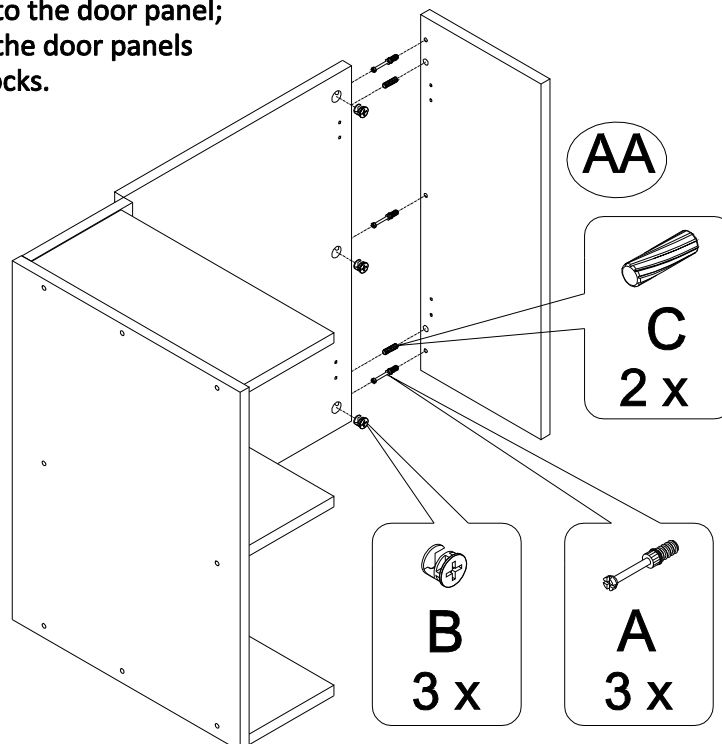
1.7

- * Hood up the hinges as shown.
- Match the latch with the mounting plate then press the hinge down.



1.8

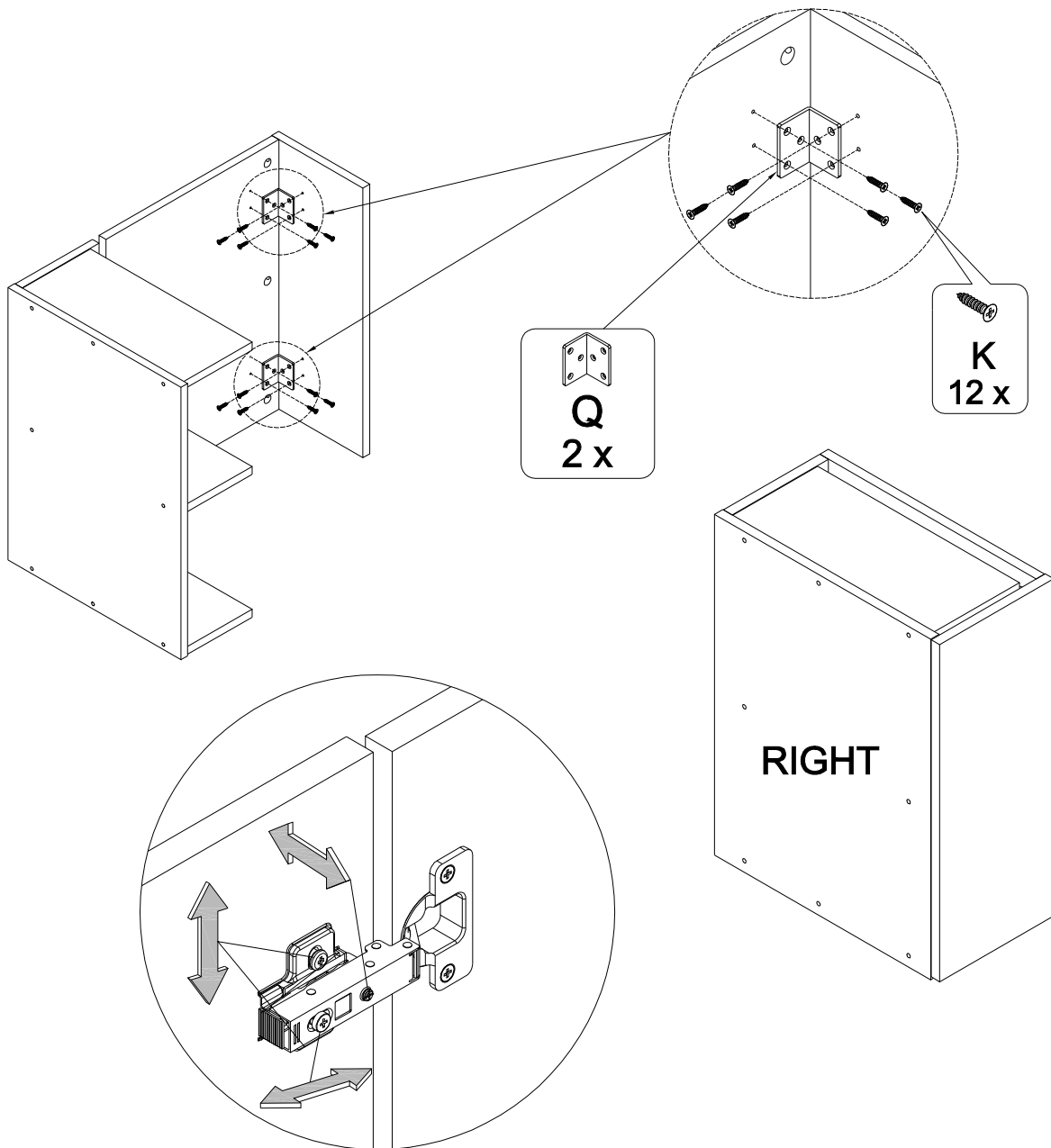
- * Install the door front panel as shown.
- Install cam lock screws and dowels into the front panel;
- Insert cam locks into the door panel;
- Connect and align the door panels and lock the cam locks.



TD987 Series

1.9

- * Install the steel enforcer(Part Q) as shown.
- Adjust the hinges to align the door if necessary.



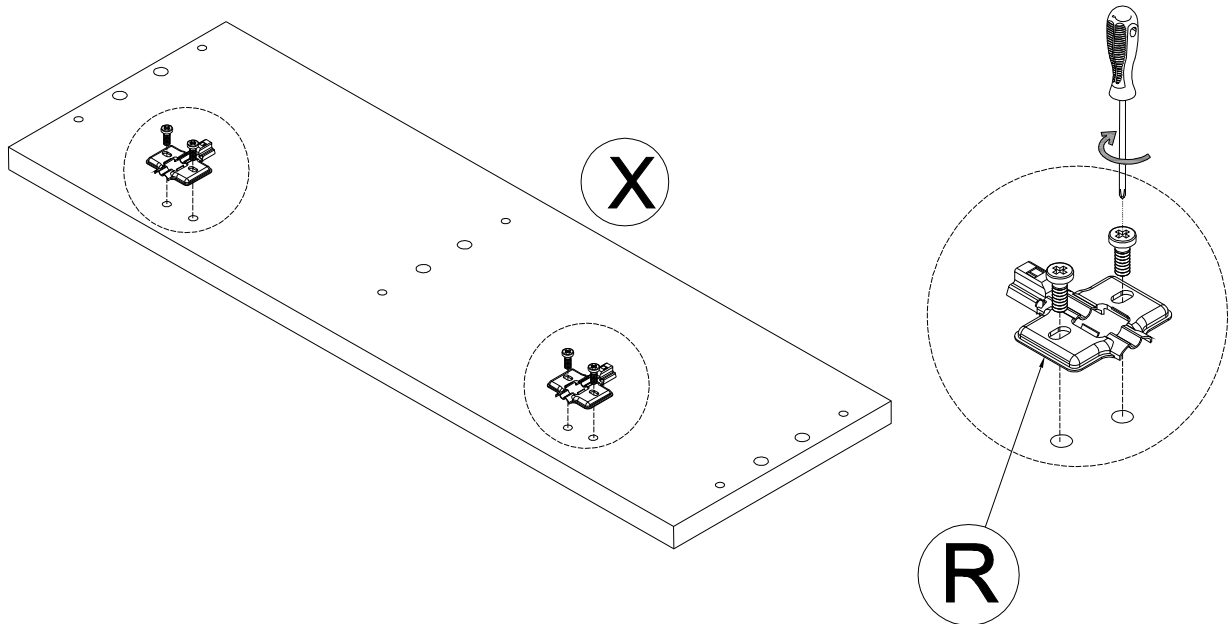
Hinge Adjustment

TD987 Series

STEP 2

2.1

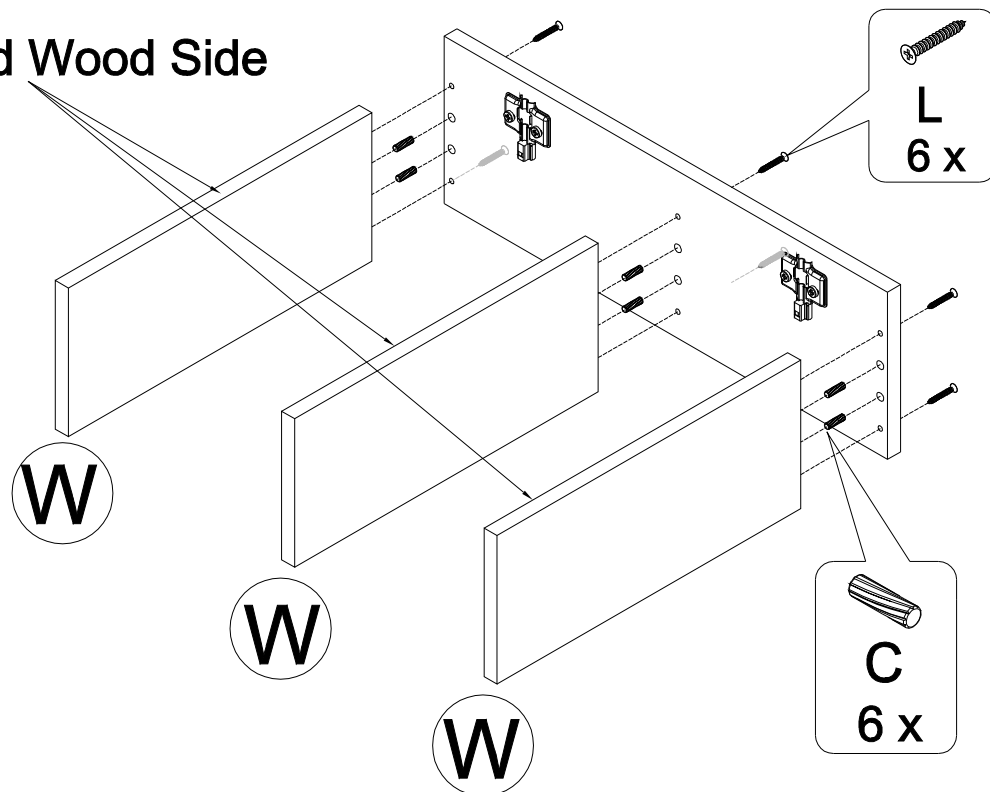
- * Install the mounting plate(Part R) on the left back panel(Part X).



2.2

- * Install wood dowels into the left back panel,
- * Install wood shelves(Part W) and ensure the finished wood side is on top as shown.
- * Align the shelves and tighten the screws.

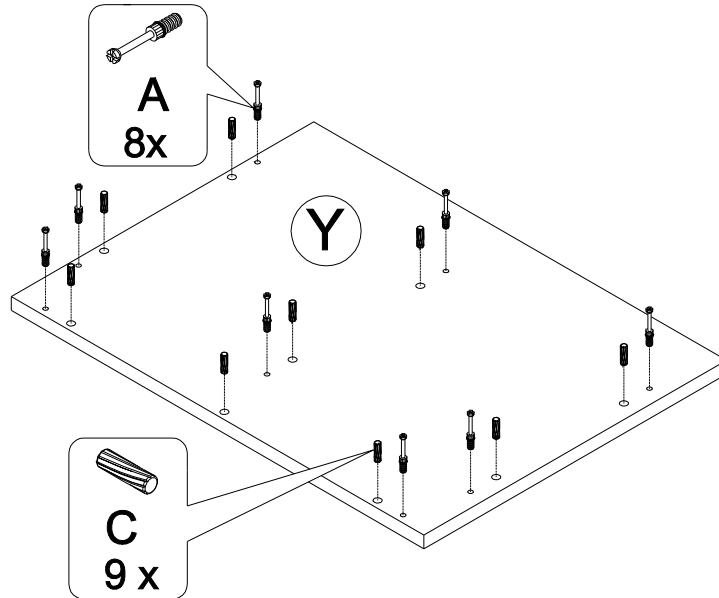
Finished Wood Side



TD987 Series

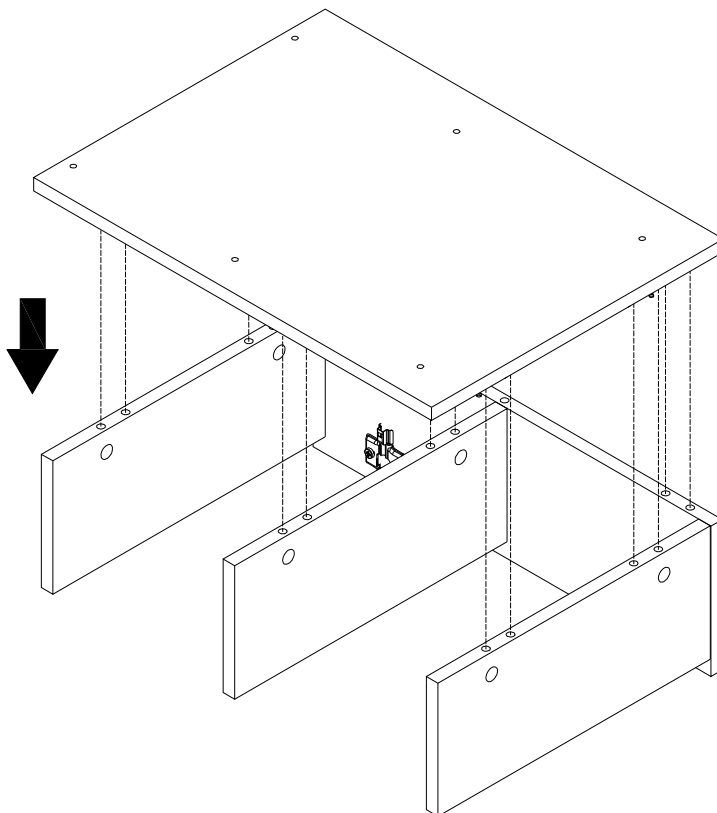
2.3

- * Insert wood dowels into the left side panel(Part Y)
- * Install cam lock screws as shown.
- *** Do not over tighten the screw, it's not recommended to use a screw driver to tighten it if you don't have to.



2.4

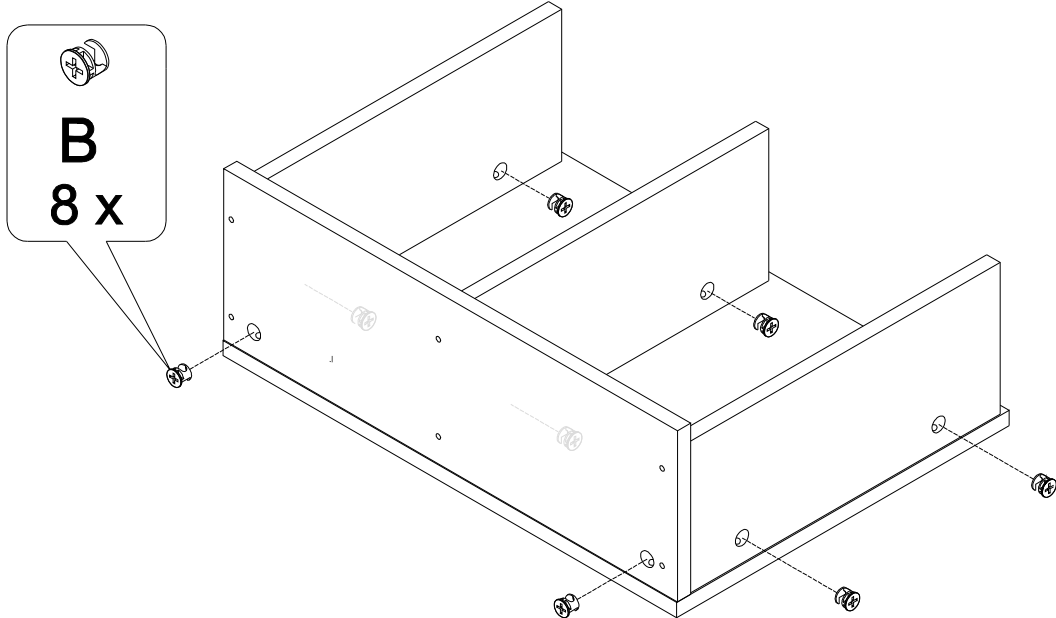
- * Join the side panel with wood shelves as shown



TD987 Series

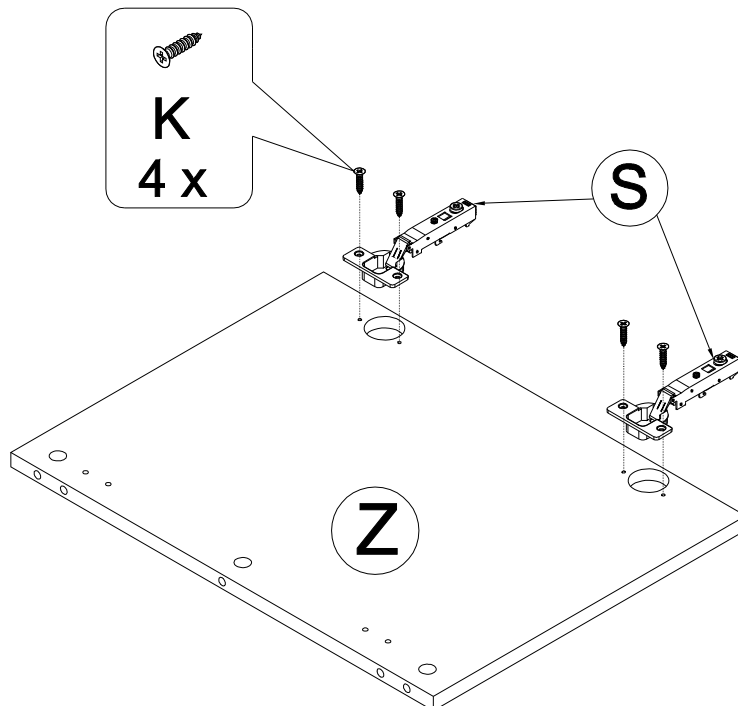
2.5

* Insert the cam locks into the wood panels as shown.



2.6

* Install the clip on hinges on the door panel(Part Z).

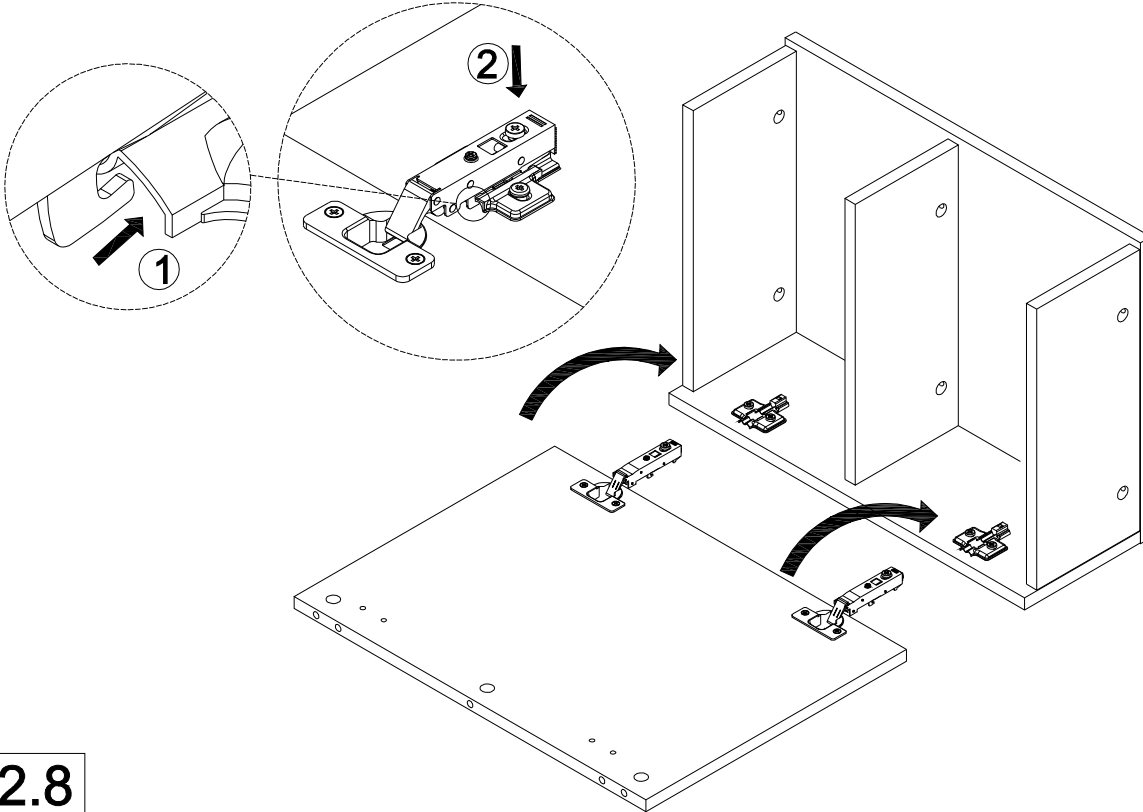


TD987 Series

2.7

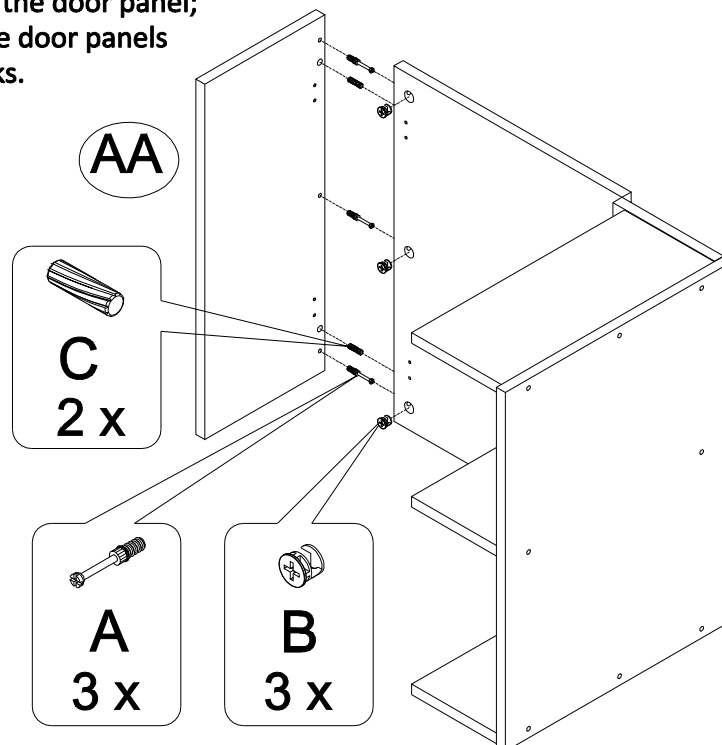
- * Hood up the hinges as shown.
- Match the latch with the mounting plate then press the hinge down.

Press Down



2.8

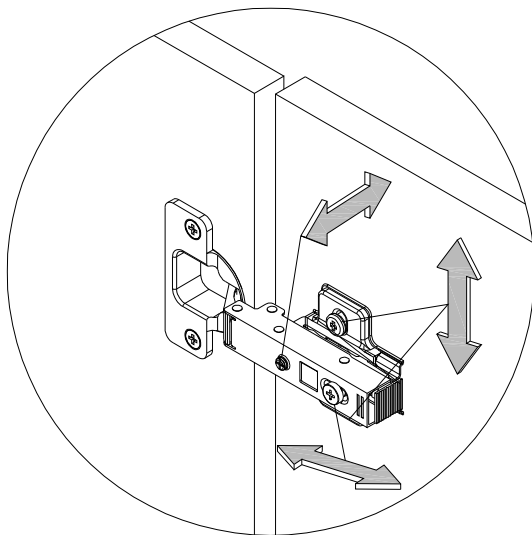
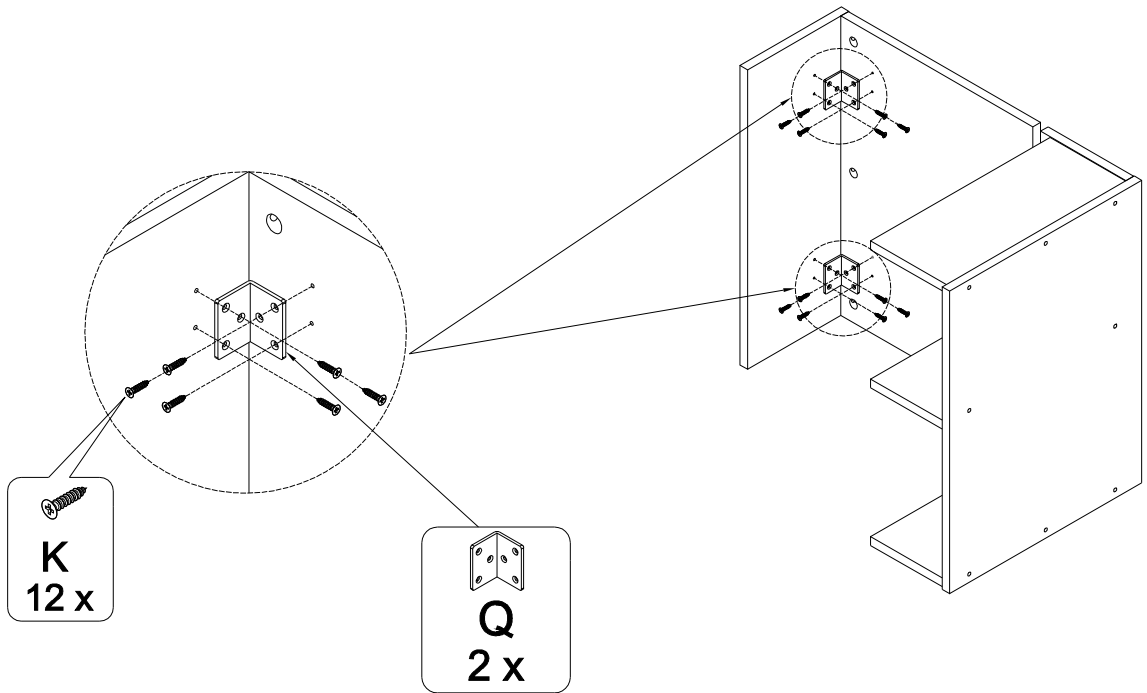
- * Install the door front panel as shown.
- Install cam lock screws and dowels into the front panel;
- Insert cam locks into the door panel;
- Connect and align the door panels and lock the cam locks.



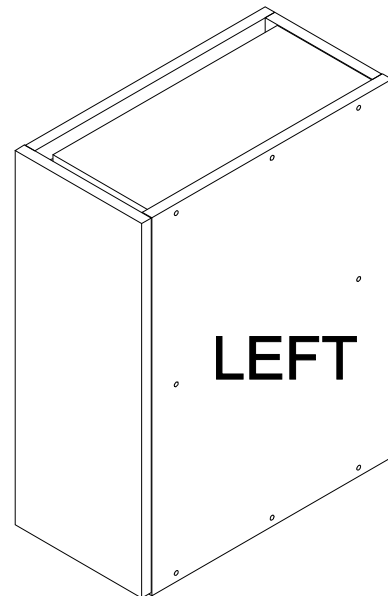
TD987 Series

2.9

- * Install the steel enforcer(Part Q) as shown.
- Adjust the hinges to align the door if necessary.



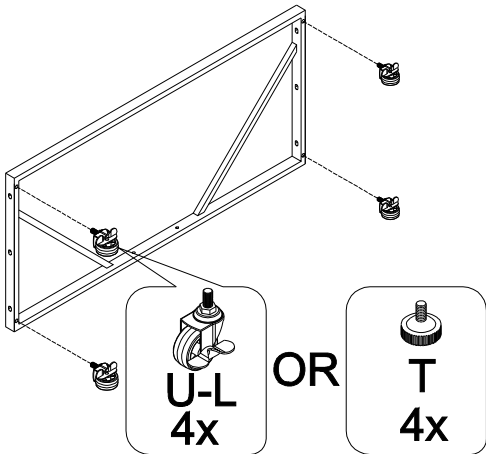
Hinge Adjustment



TD987 Series

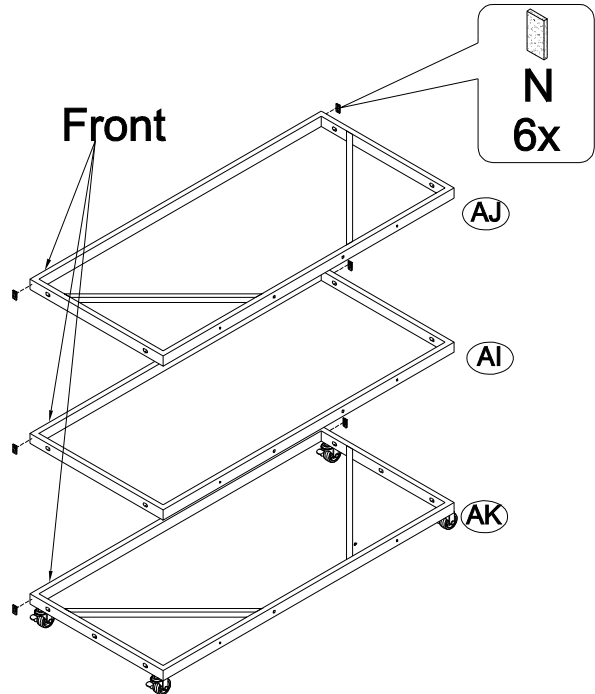
STEP 3

- * Install casters with lock(Part U-L) or adjustable legs on the bottom shelf support as you prefer



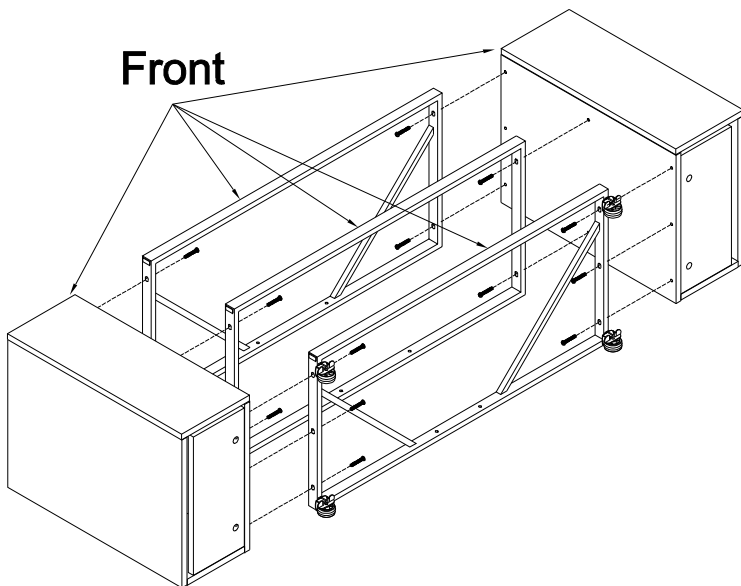
STEP 4

- * Apply the self adhesive rubber door bumpers to the steel frames as shown.



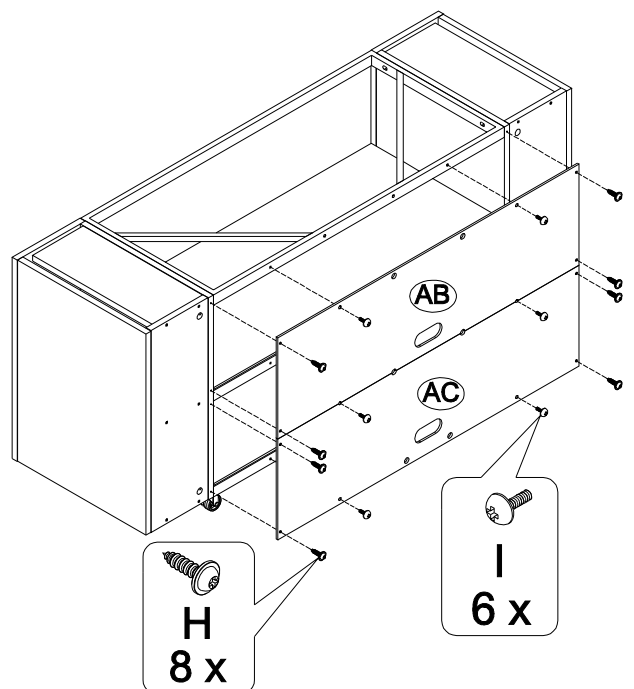
STEP 5

- * Install the steel frame as shown.



STEP 6

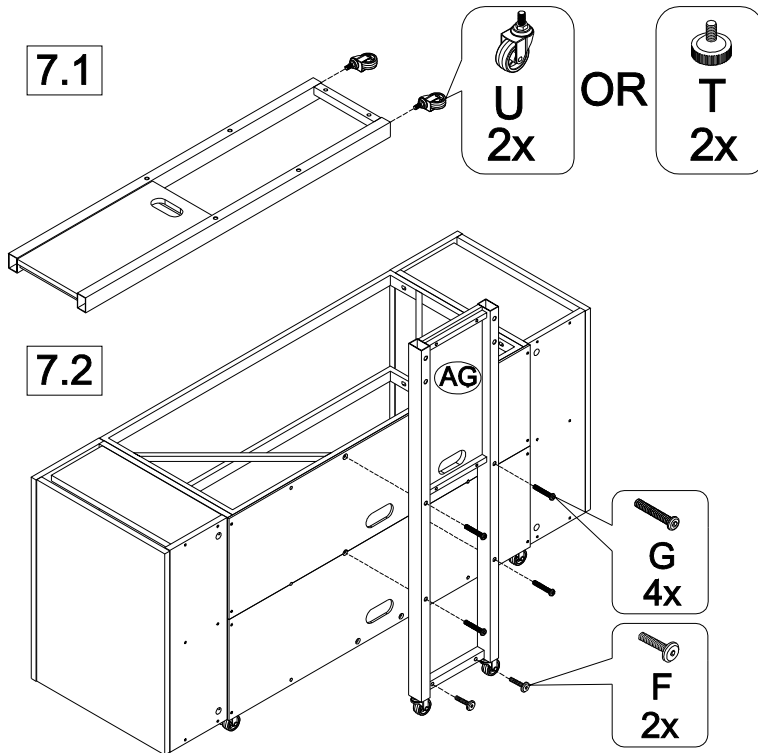
- * Install the back panel(Part AB,AC) as shown.



TD987 Series

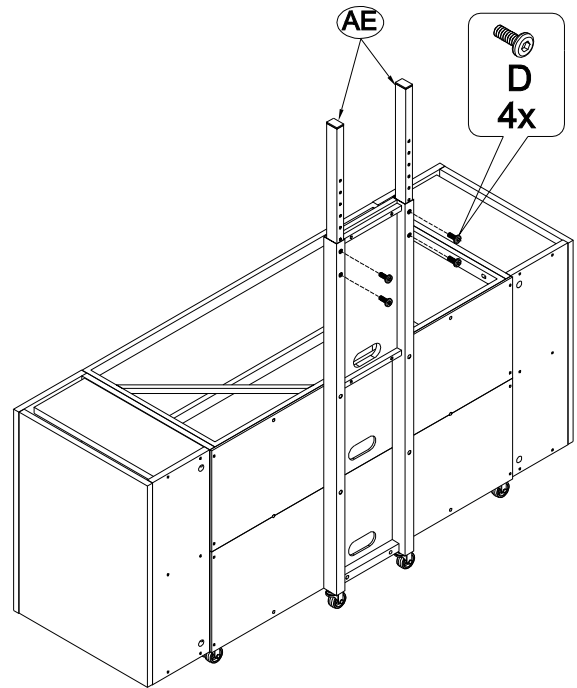
STEP 7

- * Install the mounting system support pole (Part AG) as shown.
- Install the casters(part U) or the adjustable legs first then secure the support poles.



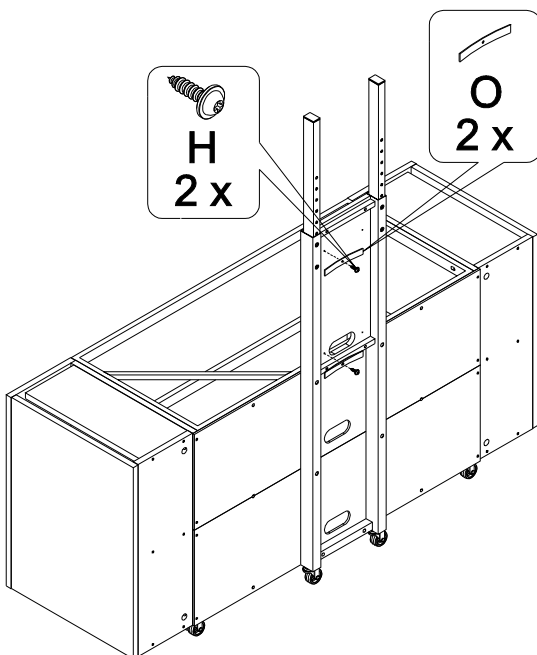
STEP 8

- * Install the mounting system adjustment poles (Part AE) as shown.



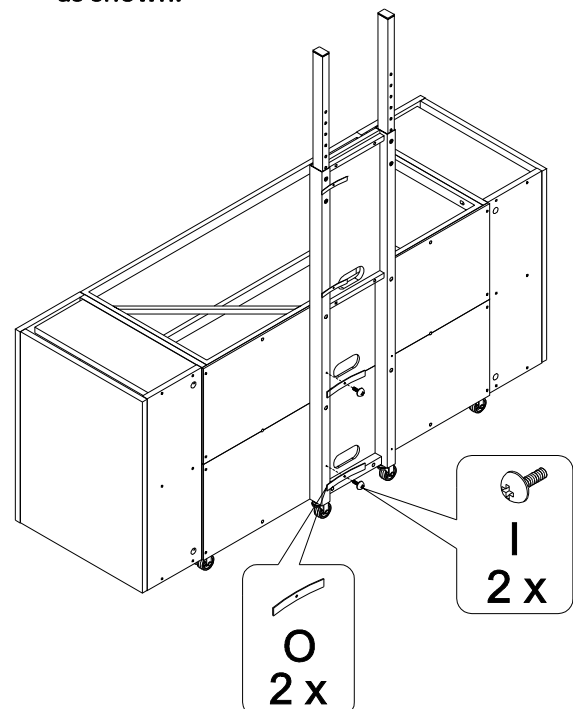
STEP 9

- * Install the cable management system
- Install the Velcro strips on the wood panel as shown.



STEP 10

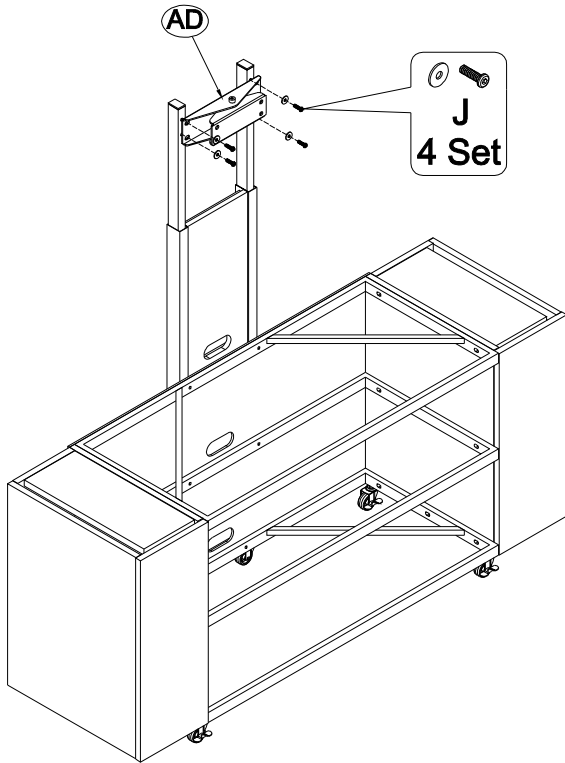
- * Install the Velcro strips on the steel support pole as shown.



TD987 Series

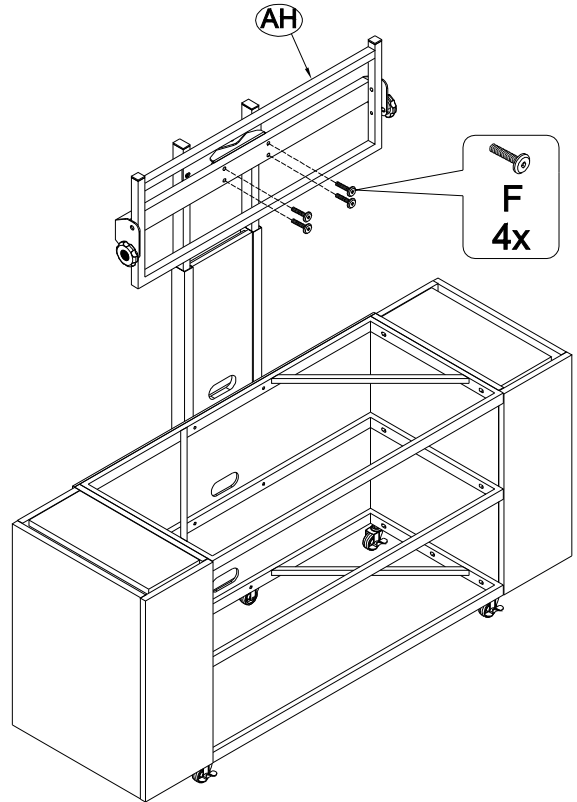
STEP 11

- * Install the pivot device(Part AD).
- Level the pivot device and tighten the screws.



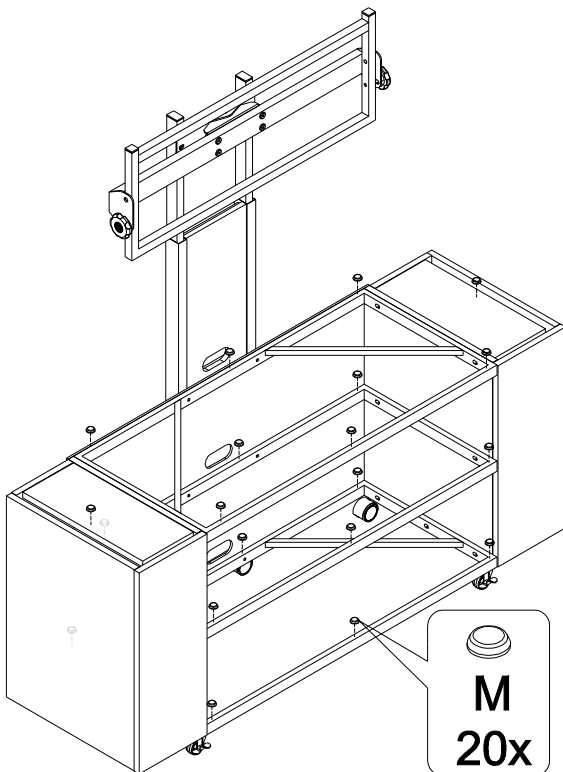
STEP 12

- * Install the TV hanger as shown.
- Level the TV hanger and tighten the screws.



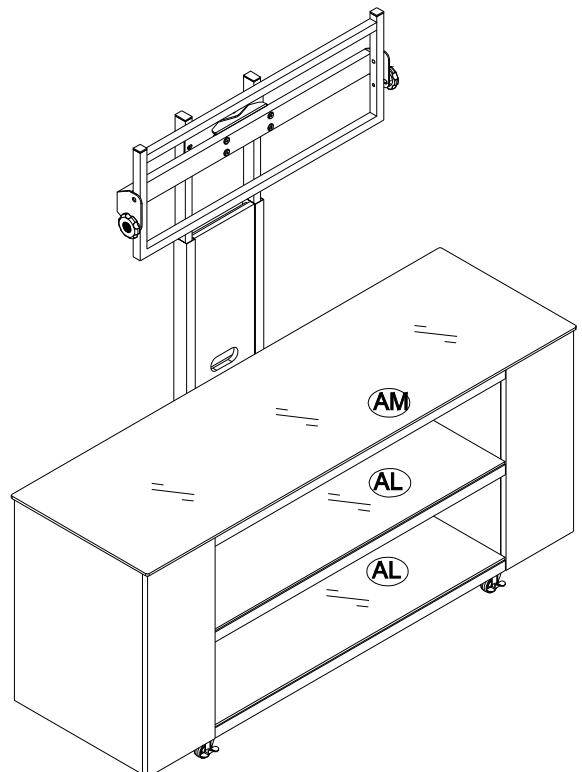
STEP 13

- * Apply the self adhesive vinyl bumper as shown.



STEP 14

- * Install the glass shelves as shown.

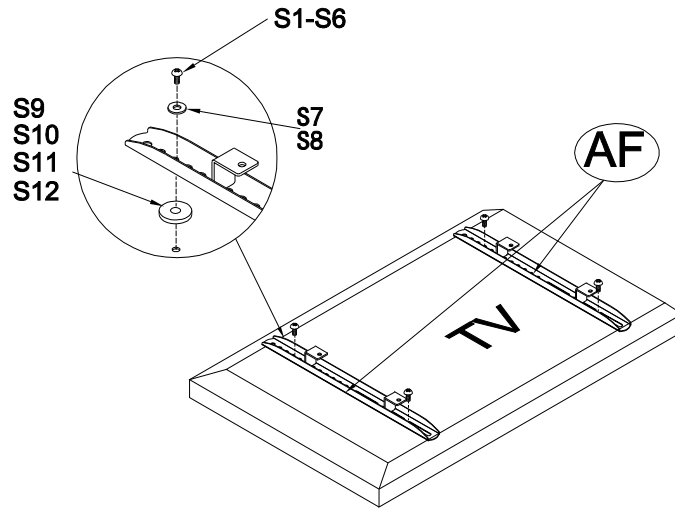


TD987 Series

STEP 15

* Install the mounting bracket on the TV(choose one of the screws that fits)

Note: Some TV models are not VESA compliant that require special mounting adapter to mount the TV. Please review the TV user manual or contact the TV manufacturer for detail information.



STEP 16

* Hang the TV on the mounting bracket.

- Install the knobs(Part P) to the top anchor of the bracket to secure the system as shown.
- The bottom anchor does not need a knob.

