






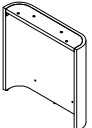

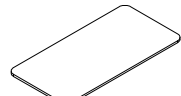


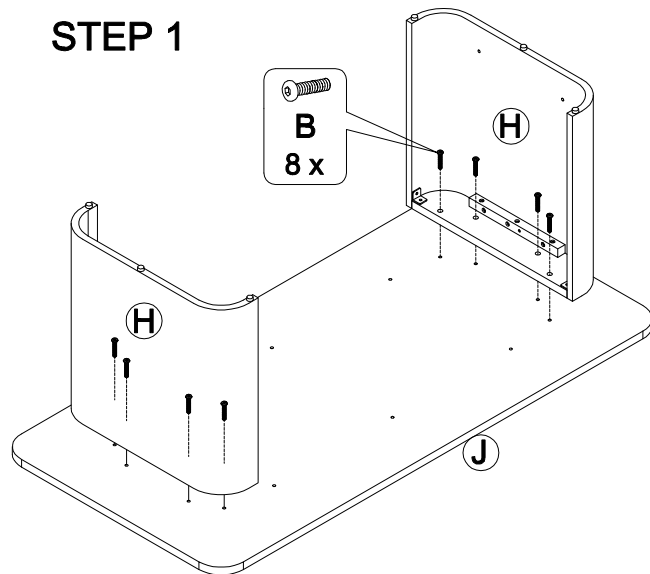


TD128CDW

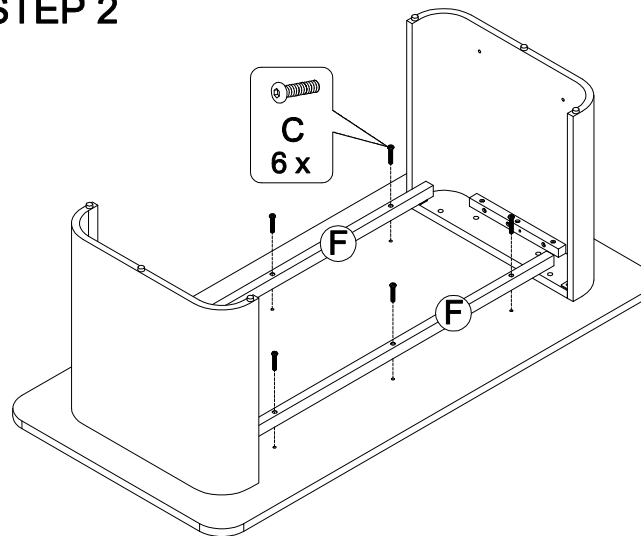
If you have any missing parts or questions please email info@transdecointl.com or call 909-606-3833
 Mon - Fri 9 AM to 5 PM pacific time. Please have your product model number available.

| NO. | DESCRIPTION | QTY |
|-----|---|-----|
| A | M6x12mm  | 4 |
| B | M6x28mm  | 8 |
| C | M6x35mm  | 6 |
| D | M4x32mm  | 8 |
| E | M4  | 1 |
| F |  | 2 |
| G |  | 2 |
| H |  | 2 |
| I |  | 1 |
| J |  | 1 |

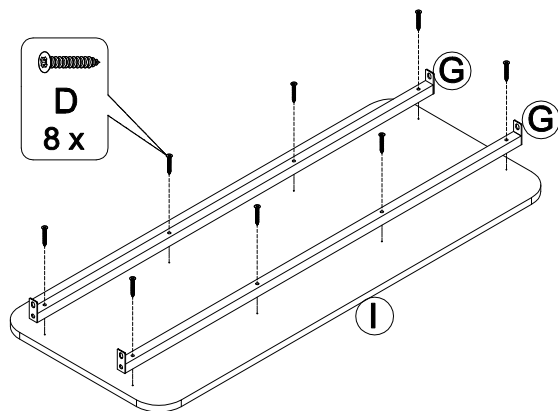
STEP 1



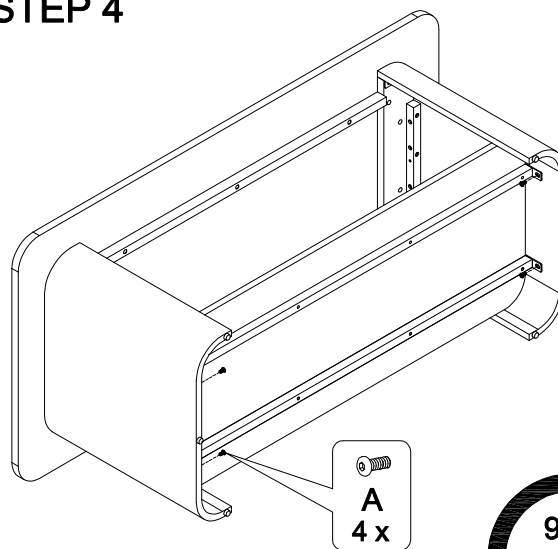
STEP 2



STEP 3



STEP 4



STEP 5

