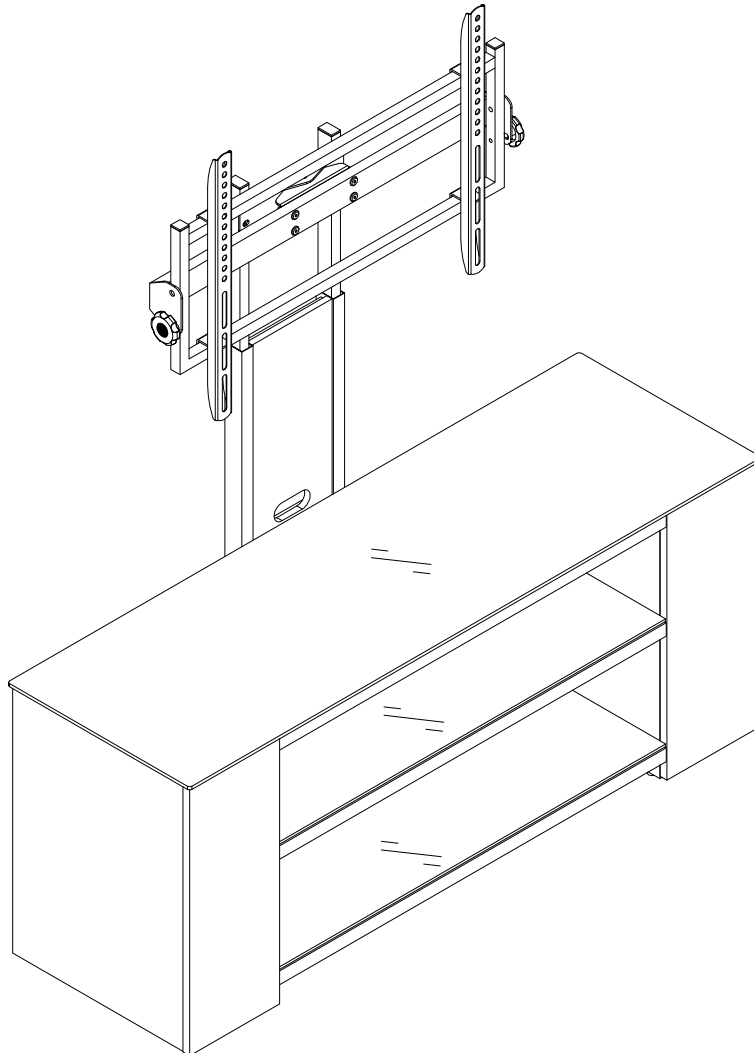





TD987DB

If you have any missing parts or questions please email info@transdecointl.com or call 909-606-3833
Mon - Fri 9 AM to 5 PM pacific time. Please have your product model number available.

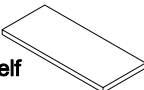
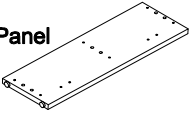
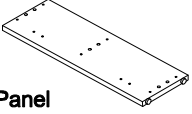
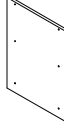
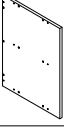


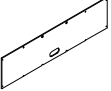

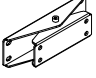
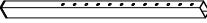




TD987DB

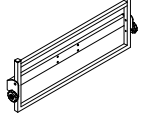
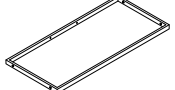
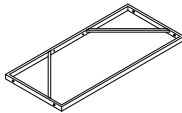
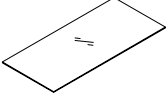
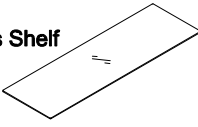
PART LIST

NO.	DESCRIPTION	QTY
A	Cam lock Screw 	24
B	Cam lock 	24
C	Wood Dowel 	32
D	M6*18mm 	4
E	M6*25mm 	12
F	M6*32mm 	4
G	M6*55mm 	6
H		10
I	M4 	8
J	M6*18mm 	4 Set
K	M3.5*14mm 	32
L	M4*50mm 	12
M	Vinyl Bumper 	20
N	Door Bumper 	6
O	Velcro Strip 	4
P		2
Q	Steel Enforcer 	4
R	Mounting Plate 	4
S	Soft -Close Clip On Hinges 	4
Tool		1
T	Right Wood Shelf 	3













PART LIST

NO.	DESCRIPTION	QTY
U	left Wood Shelf 	3
V	Right Back Panel 	1
W	Left Back Panel 	1
X	Right Side Panel 	1
Y	Left Side Panel 	1
Z	Door Side Panel 	2
AA	Door Front Panel 	2
AB	Top Back Panel 	1
AC	Bottom Back Panel 	1
AD		1
AE		2
AF		2
AG		1

PART LIST

NO.	DESCRIPTION	QTY
AH		1
AI		1
AJ		2
AK	Glass Shelf 	2
AL	Top Glass Shelf 	1

TV Mounting Hardware

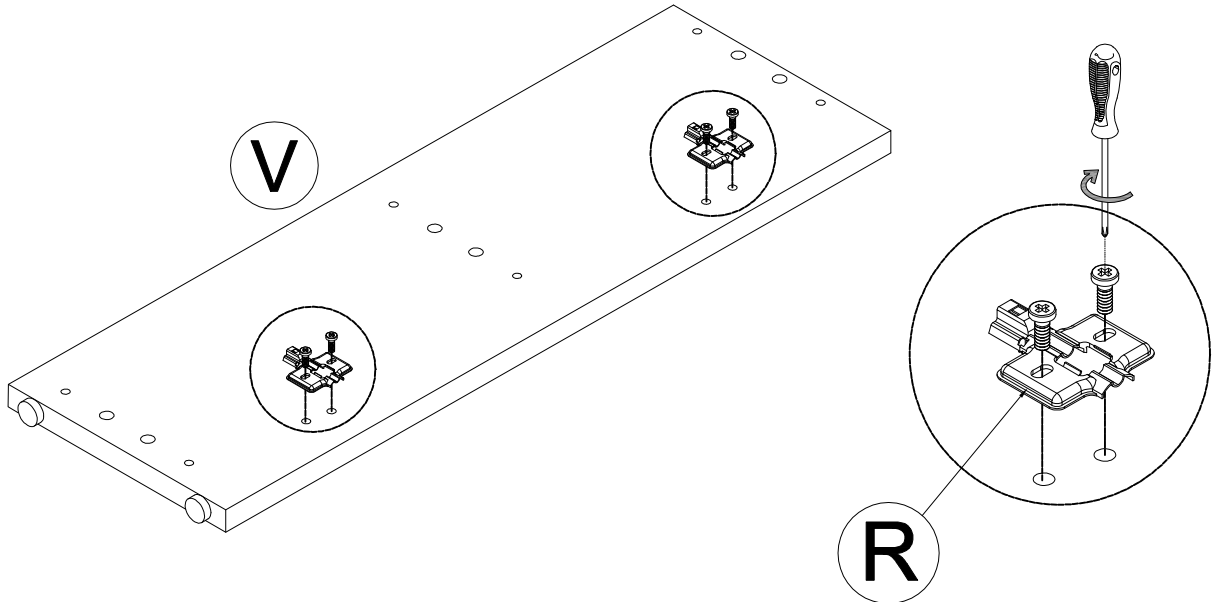
NO.	DESCRIPTION	QTY
S1	 M6x12mm	4
S2	 M8x12mm	4
S3	 M5x32mm	4
S4	 M6x32mm	4
S5	 M8x32mm	4
S6	 M8x51mm	4
S7	 Ø19xØ6.2	4
S8	 Ø22xØ8.2	4
S9	 Ø14x14mm	4
S10	 Ø17.5x21.2mm	4
S11	 Ø25x13mm	4
S12	 Ø25x2mm	4

TD987DB

STEP 1

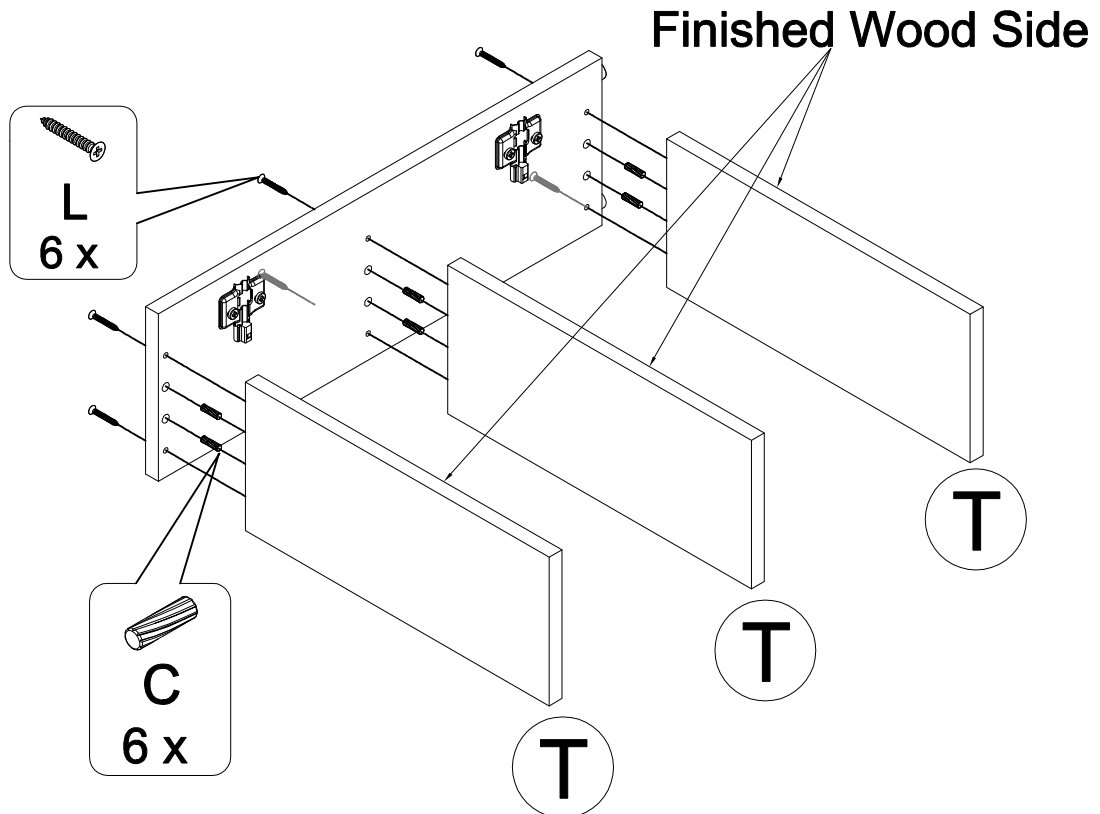
1.1

- * Install the mounting plate (Part R) on the right back panel (Part V)



1.2

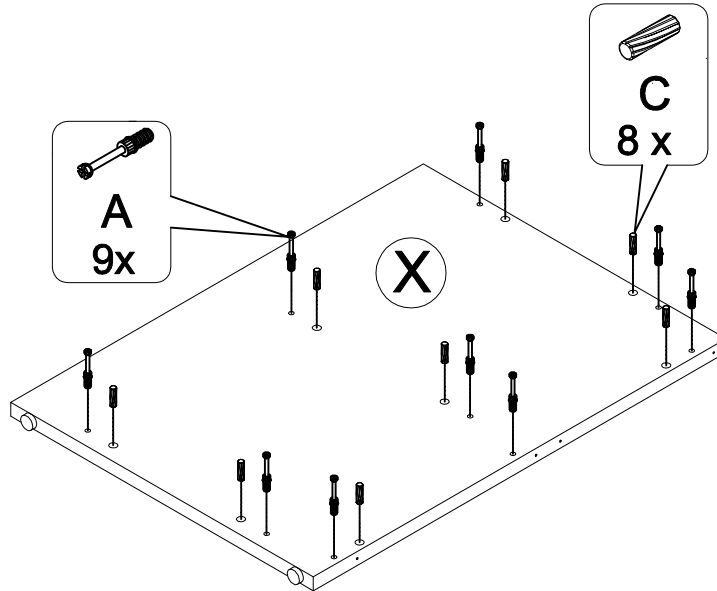
- * Insert wood dowels into the right back panel,
- * Install wood shelves (Part T) and ensure the finished wood side is on top as shown.
- * Align the shelves and tighten the screws.



TD987DB

1.3

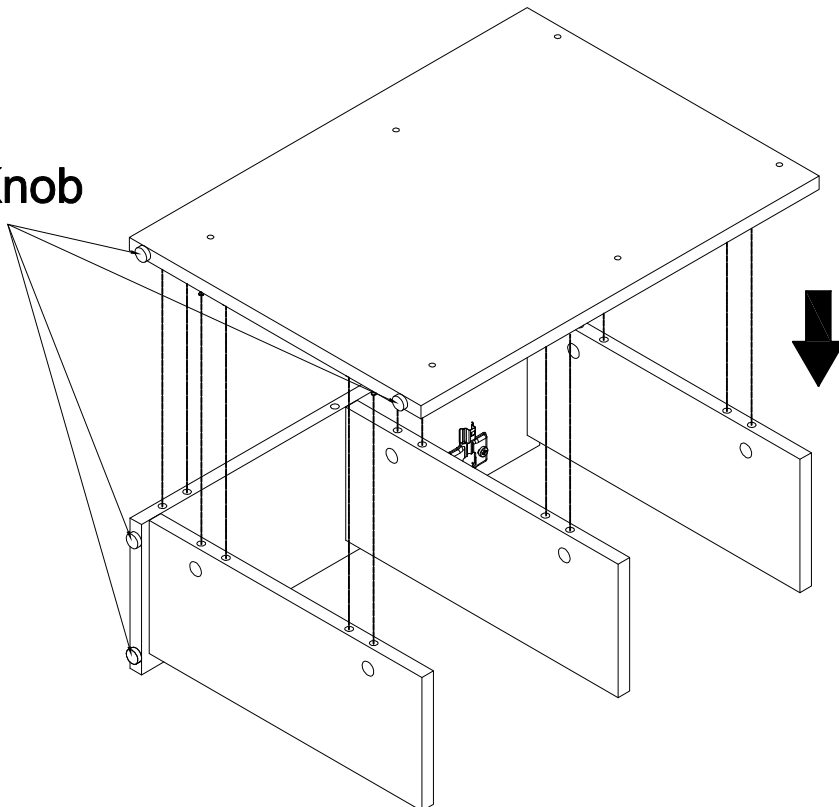
- * Insert wood dowels into the right side panel (Part X)
- * Install cam lock screws as shown.
- *** Do not over tighten the screws, it 's not recommended to use a screw driver to tighten it if you don't have to.
An over tightened screw (Part A) will prevent the cam lock to install properly.



1.4

- * Join the side panel with wood shelves as shown and ensure the plastic knobs are on the same side

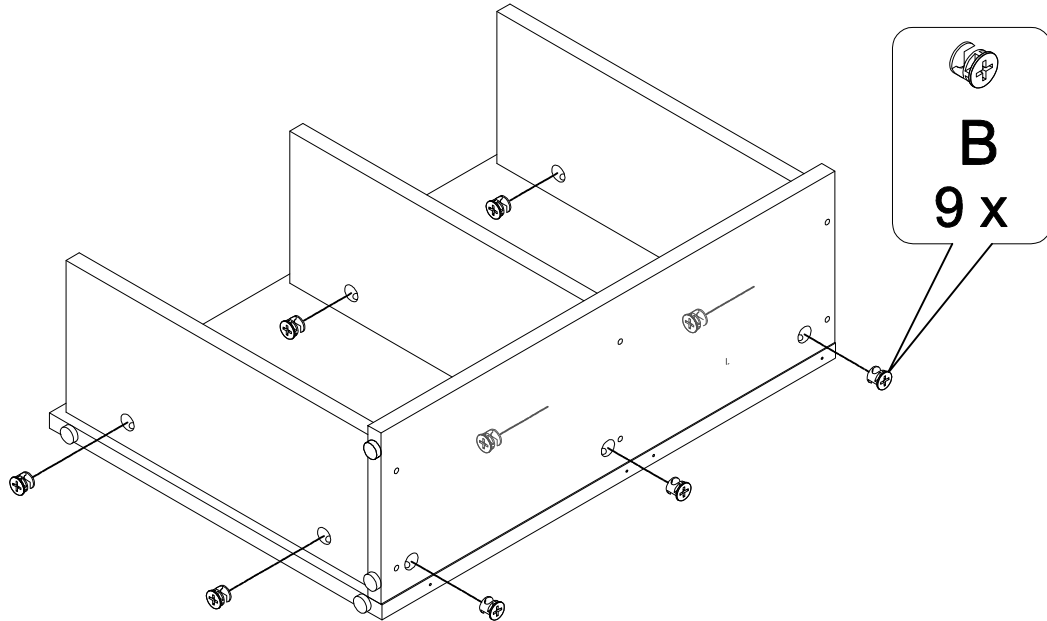
Plastic Knob



TD987DB

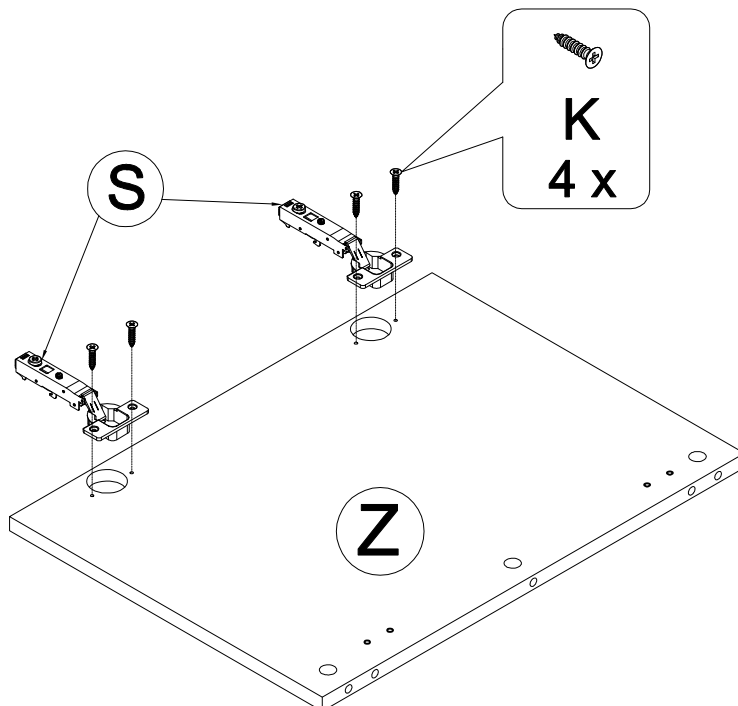
1.5

* Insert the cam locks into the wood panels and turn 210 degree with a flathead screw driver (Not Included) to lock.



1.6

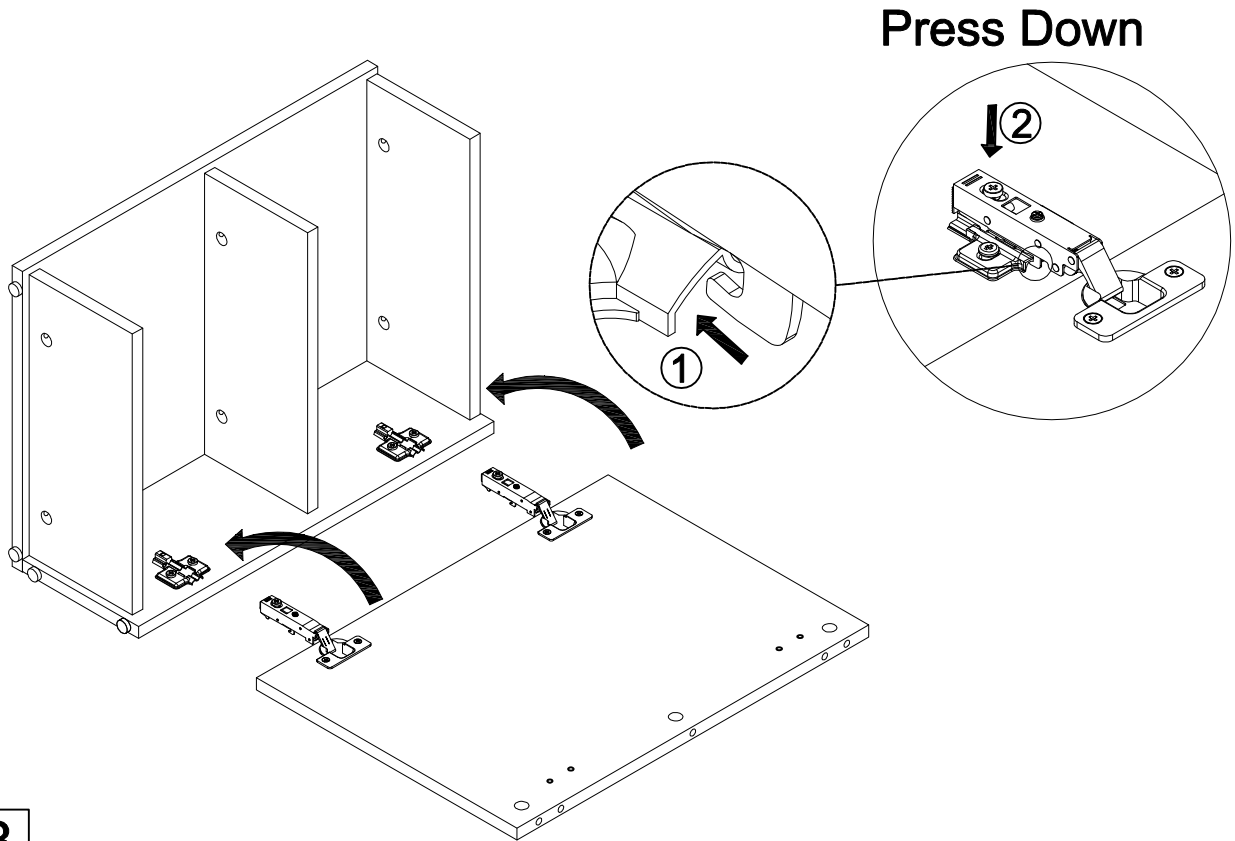
* Install the soft -close clip on hinges (Part S) on the door panel (Part Z)as shown.



TD987DB

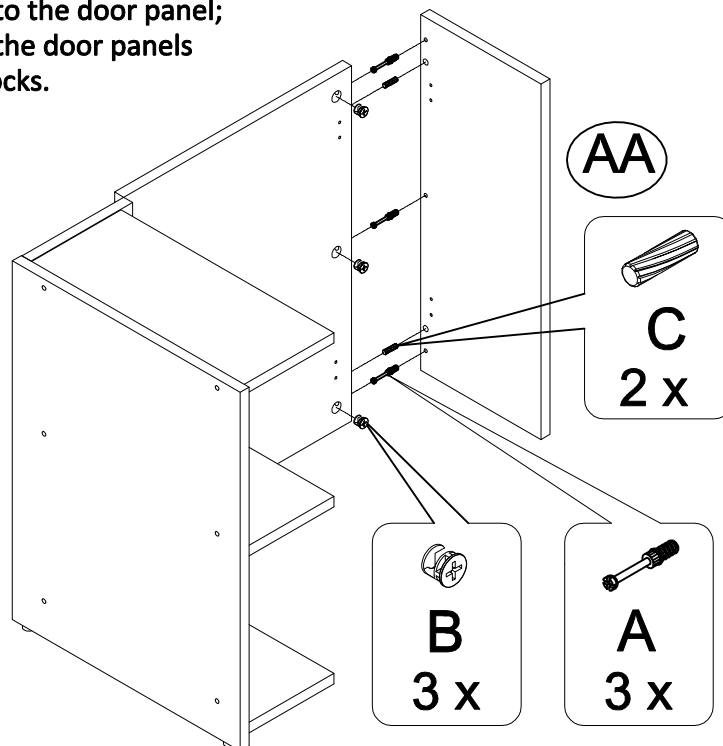
1.7

- * Hood up the hinges as shown.
- Match the latch with the mounting plate then press the hinge down.



1.8

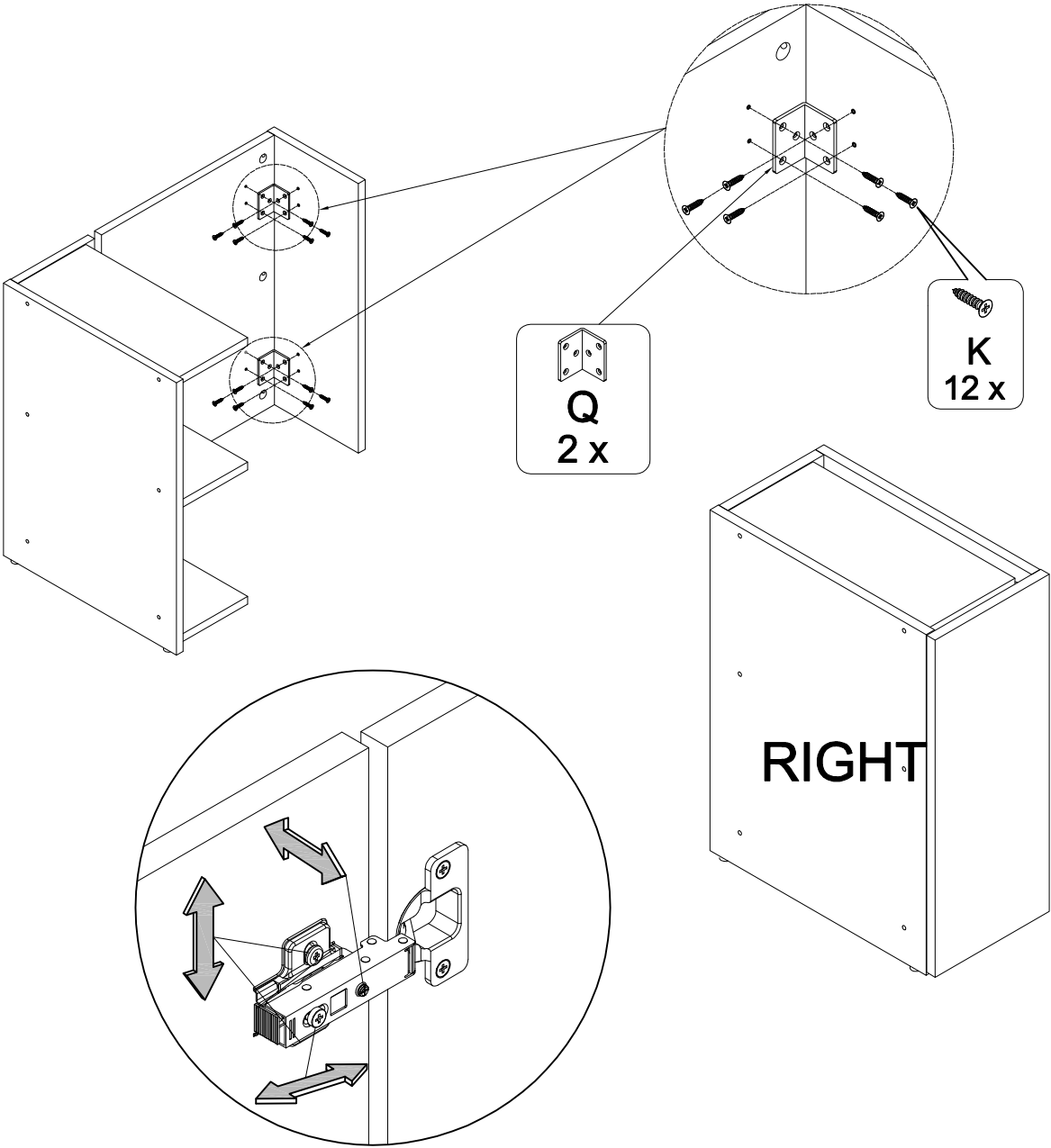
- * Install the door front panel as shown.
- Install cam lock screws and dowels into the front panel;
- Insert cam locks into the door panel;
- Connect and align the door panels and lock the cam locks.



TD987DB

1.9

- * Install the steel enforcer(Part Q) as shown.
- Adjust the hinges to align the door if necessary.

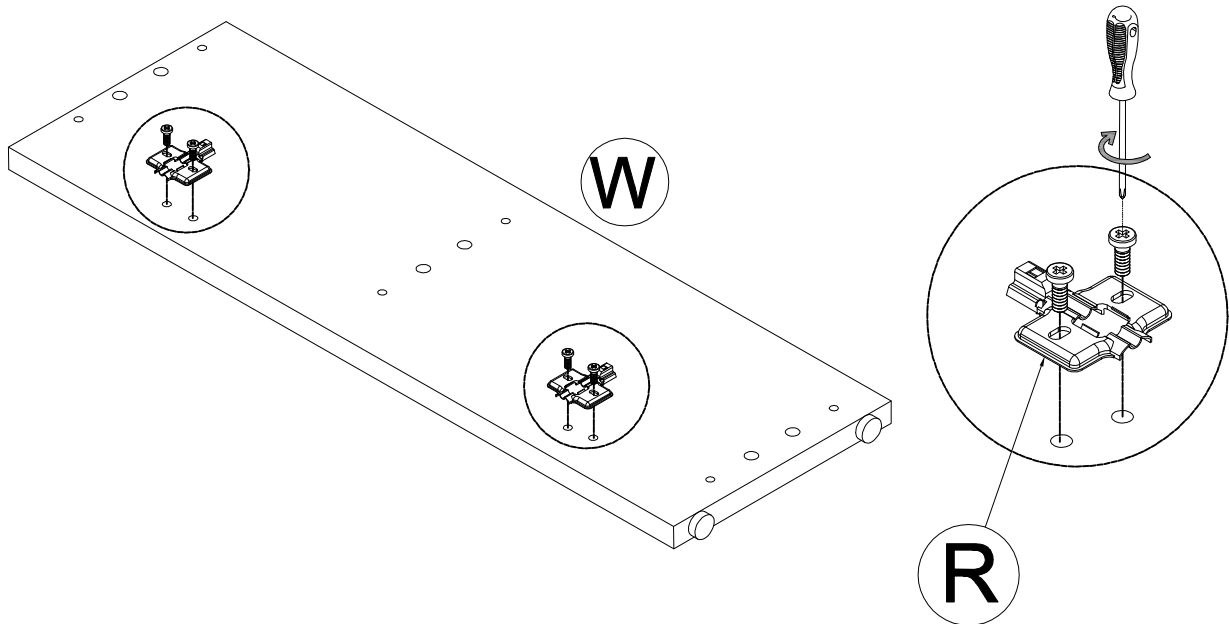


TD987DB

STEP 2

2.1

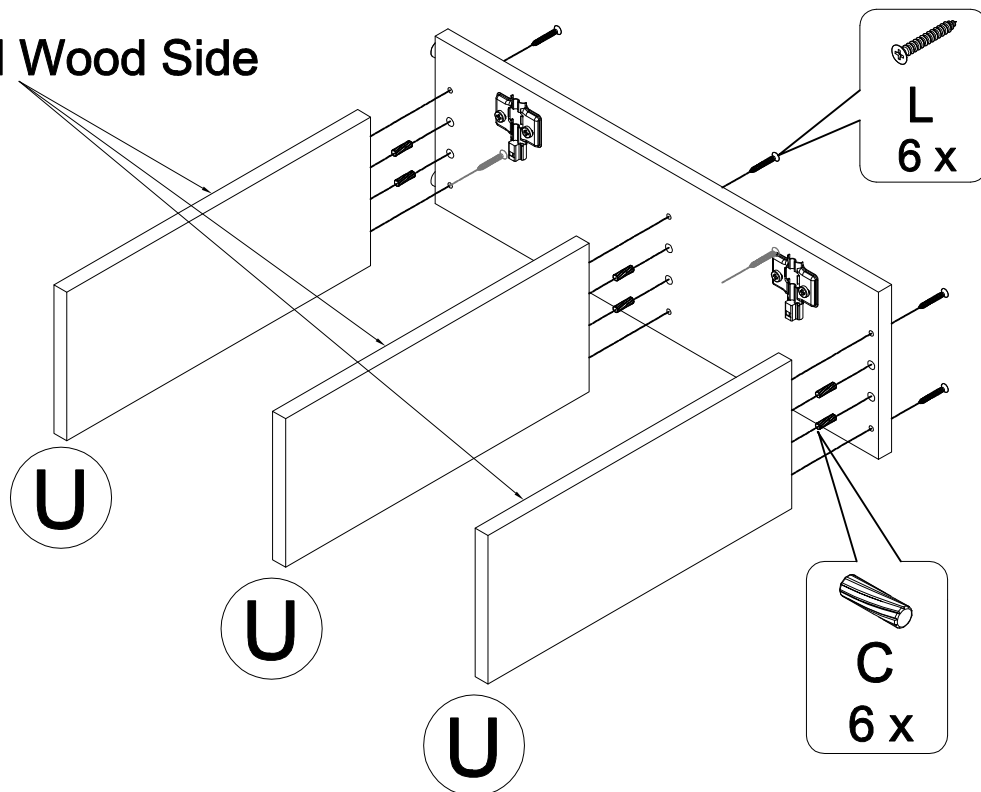
- * Install the mounting plate(Part R) on the left back panel(Part W).



2.2

- * Install wood dowels into the left back panel,
- * Install wood shelves(Part U) and ensure the finished wood side is on top as shown.
- * Align the shelves and tighten the screws.

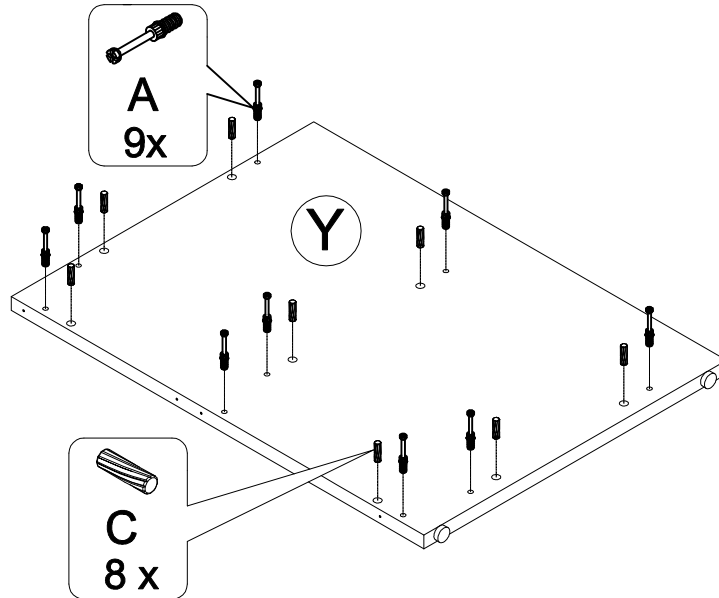
Finished Wood Side



TD987DB

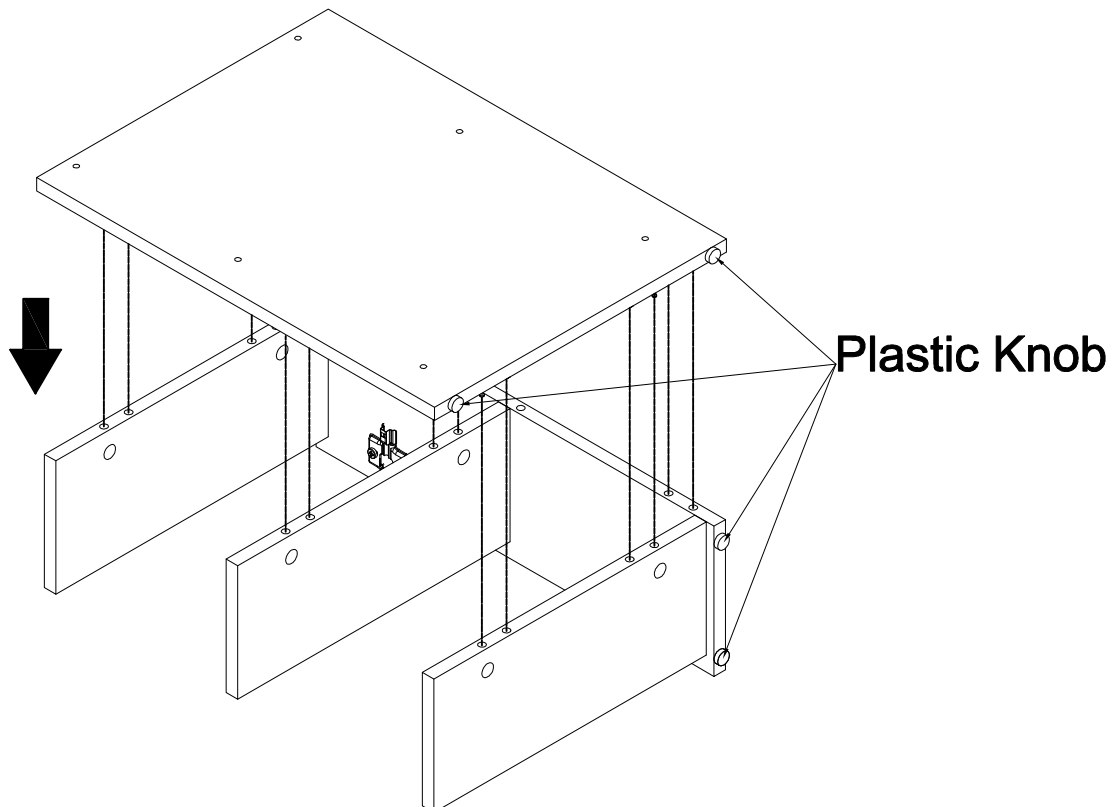
2.3

- * Insert wood dowels into the left side panel(Part Y)
- * Install cam lock screws as shown.
- *** Do not over tighten the screw, it's not recommended to use a screw driver to tighten it if you don't have to.



2.4

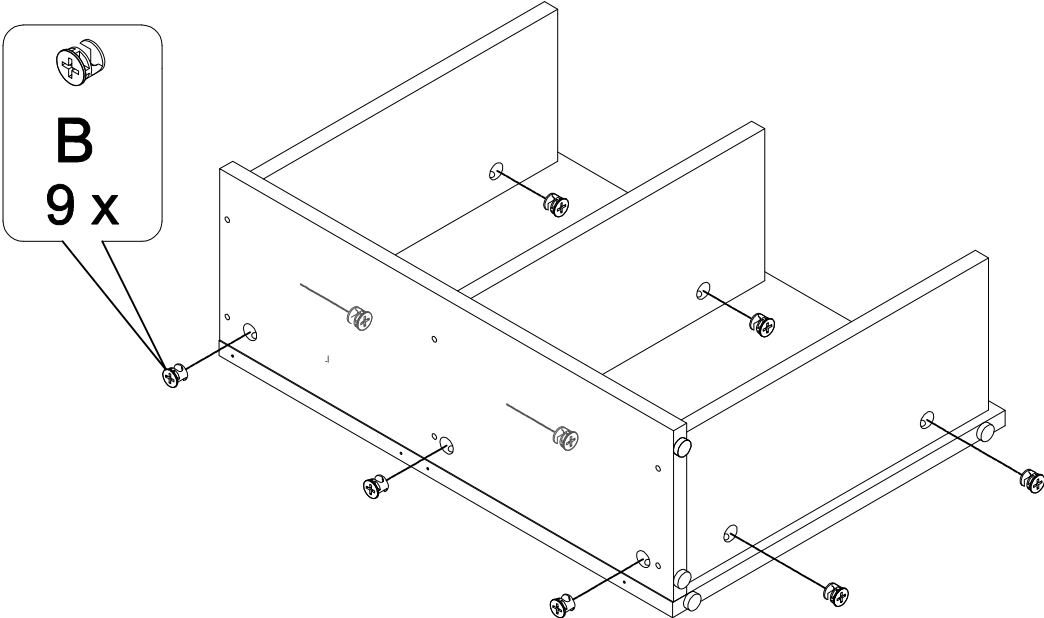
- * Join the side panel with wood shelves as shown and ensure the plastic knobs are on the same side.



TD987DB

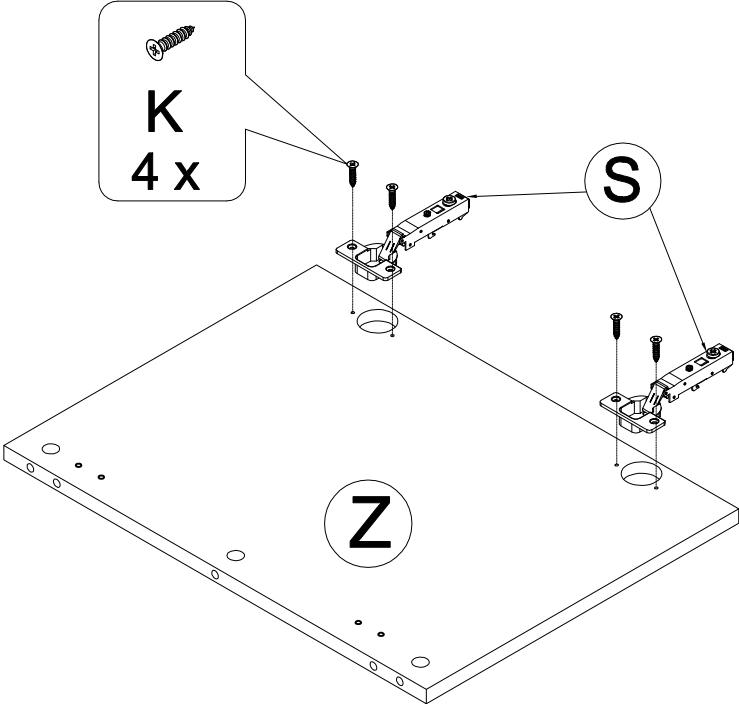
2.5

* Insert the cam locks into the wood panels as shown.



2.6

* Install the clip on hinges on the door panel(Part Z).

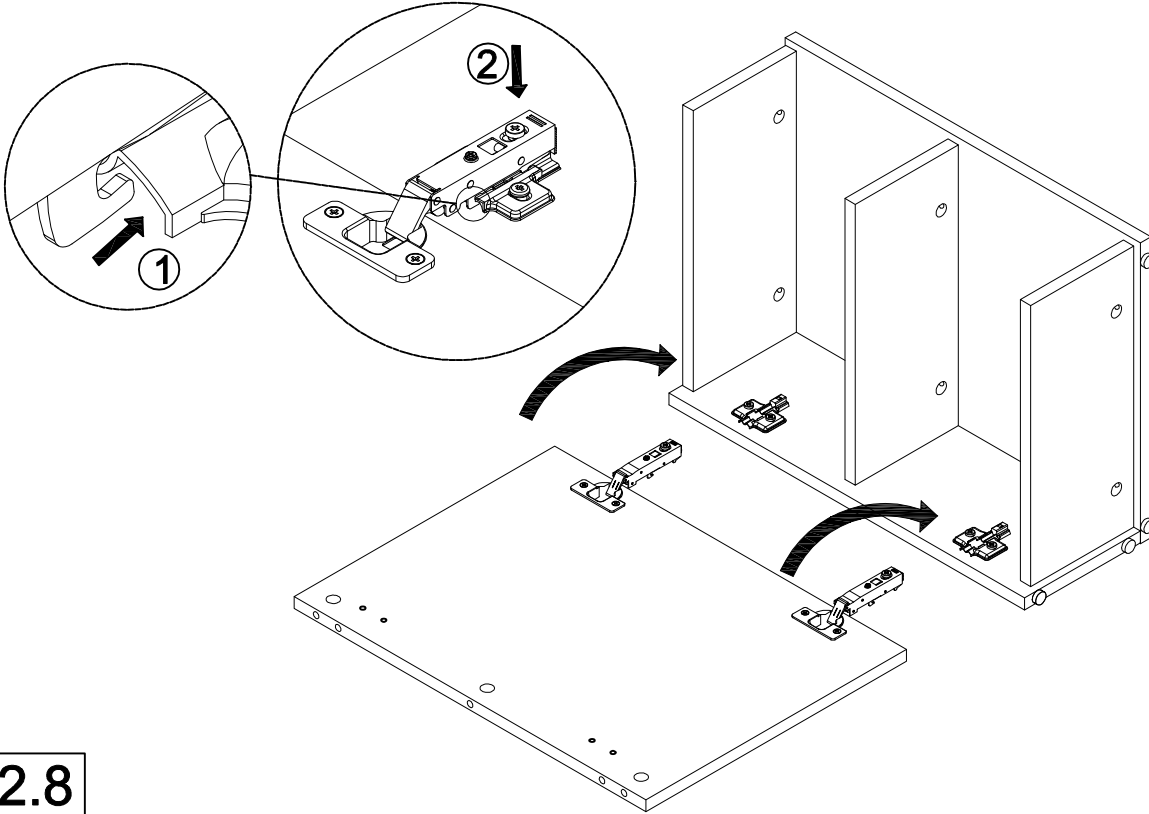


TD987DB

2.7

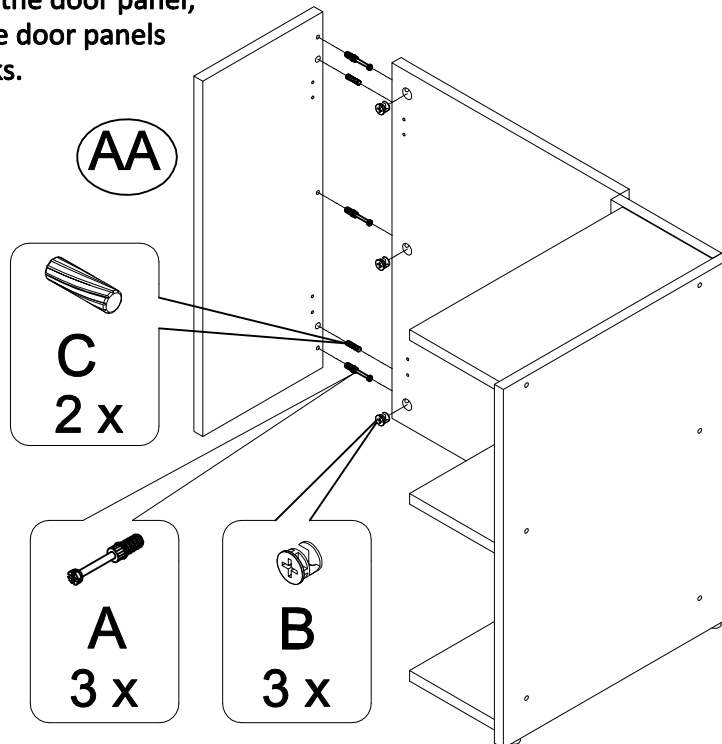
- * Hood up the hinges as shown.
- Match the latch with the mounting plate then press the hinge down.

Press Down



2.8

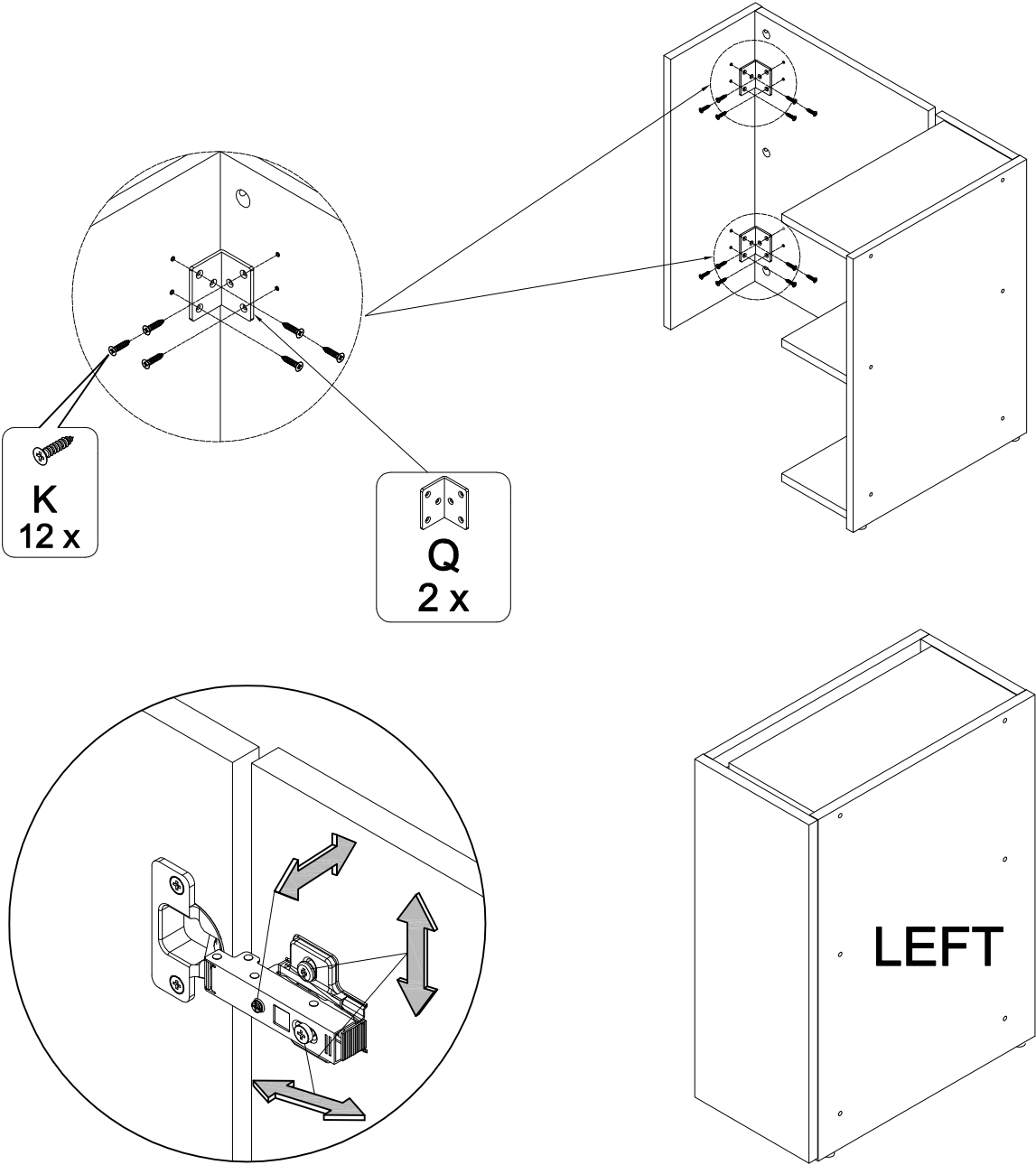
- * Install the door front panel as shown.
- Install cam lock screws and dowels into the front panel;
- Insert cam locks into the door panel;
- Connect and align the door panels and lock the cam locks.



TD987DB

2.9

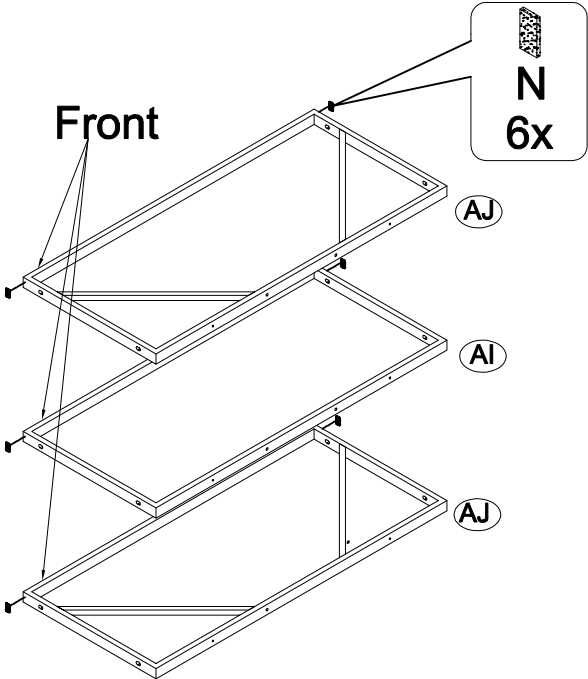
- * Install the steel enforcer(Part Q) as shown.
- Adjust the hinges to align the door if necessary.



TD987DB

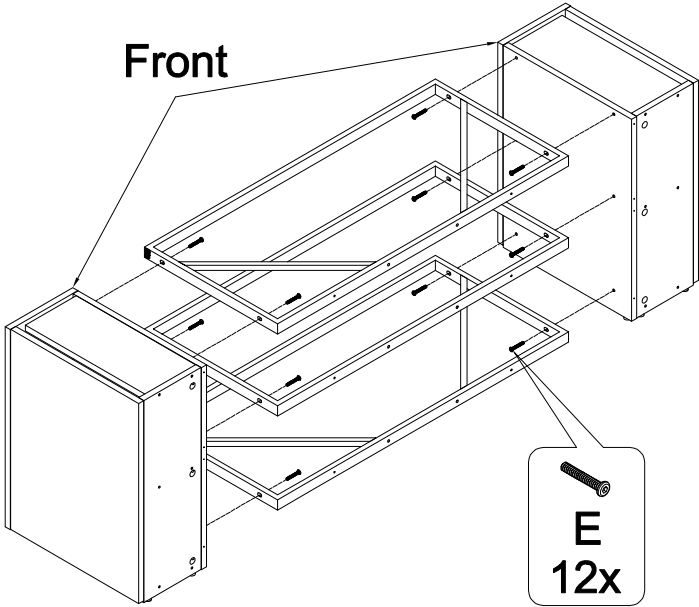
STEP 3

* Apply the self adhesive rubber door bumpers to the steel frames as shown.



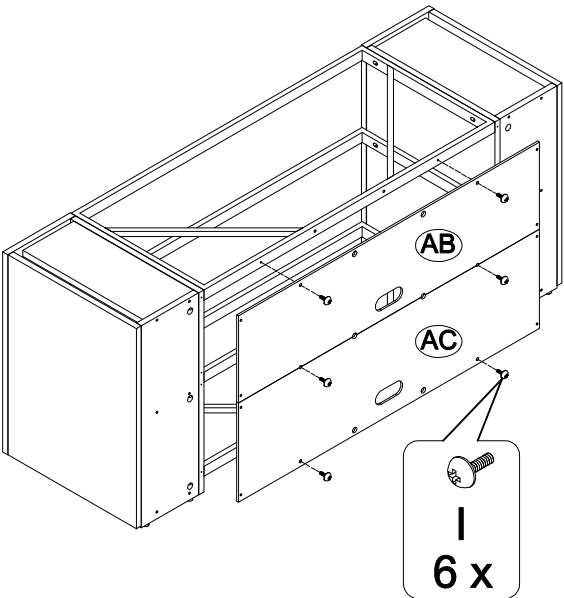
STEP 4

* Install the steel frame as shown.

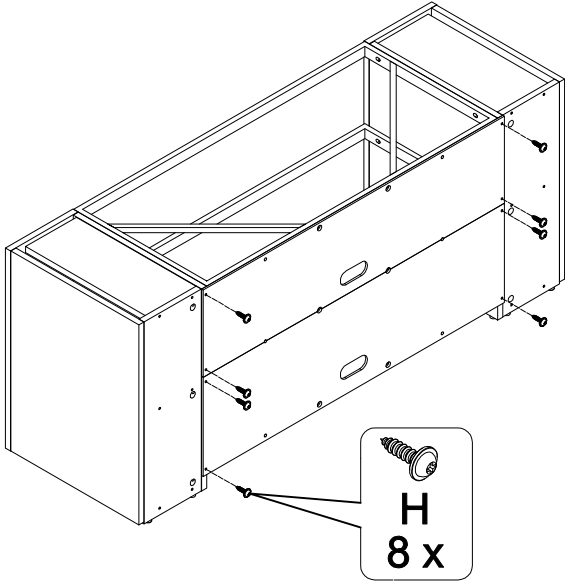


STEP 5

* Install the back panel (Part AB, AC) as shown.



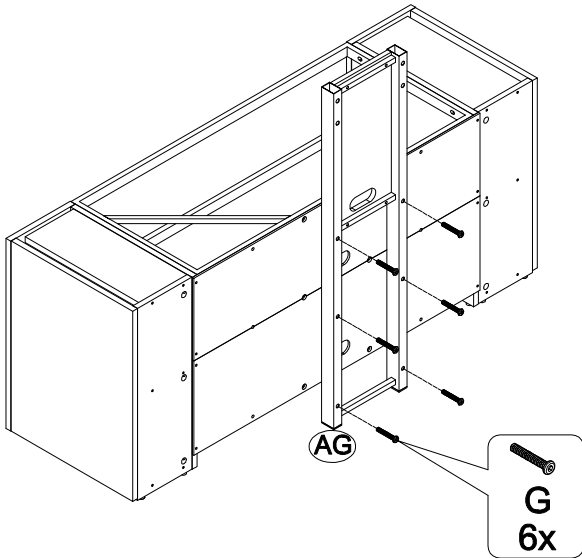
STEP 6



TD987DB

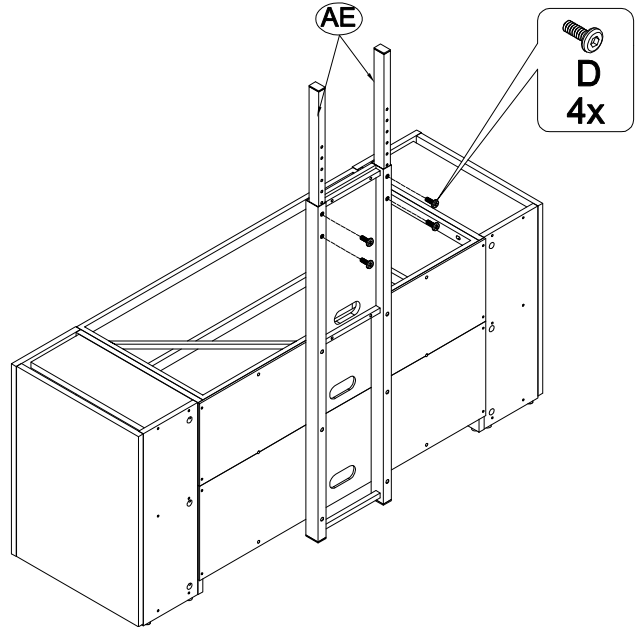
STEP 7

* Install the mounting system support pole (Part AG) as shown.



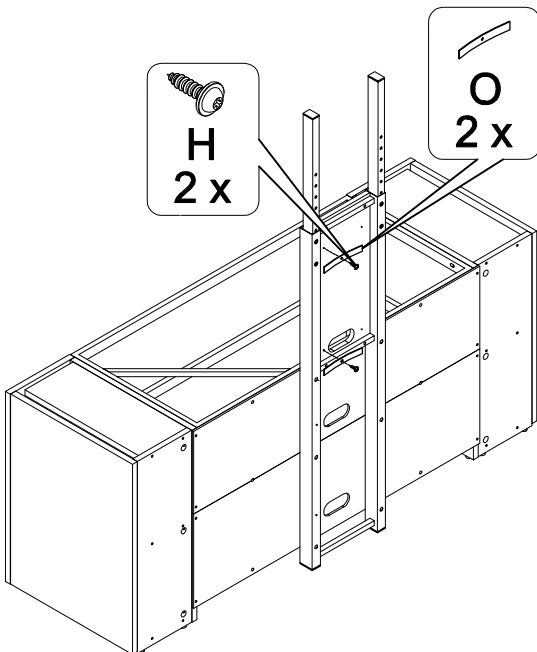
STEP 8

* Install the mounting system adjustment poles (Part AE) as shown.



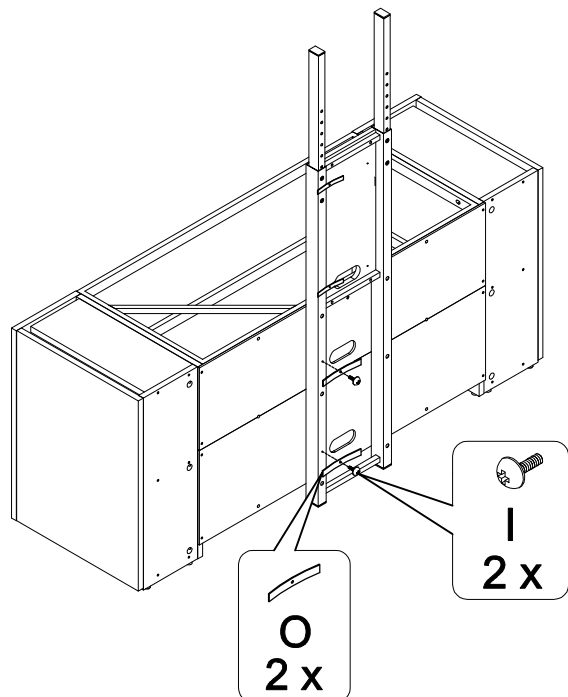
STEP 9

* Install the cable management system
- Install the Velcro strips on the wood panel as shown.



STEP 10

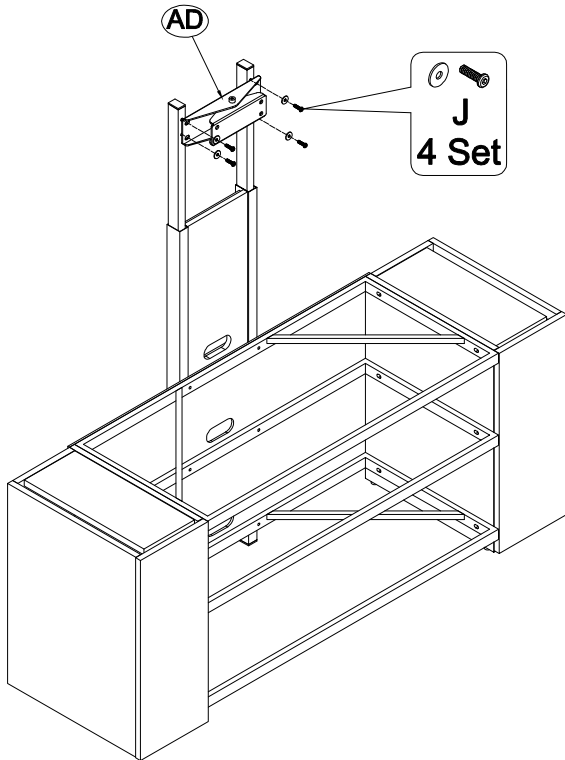
* Install the Velcro strips on the steel support pole as shown.



TD987DB

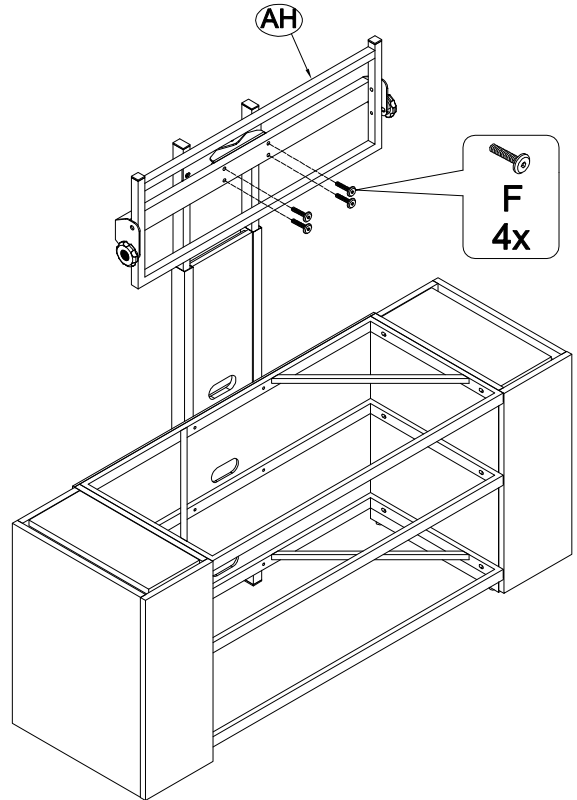
STEP 11

- * Install the pivot device(Part AD).
- Level the pivot device and tighten the screws.



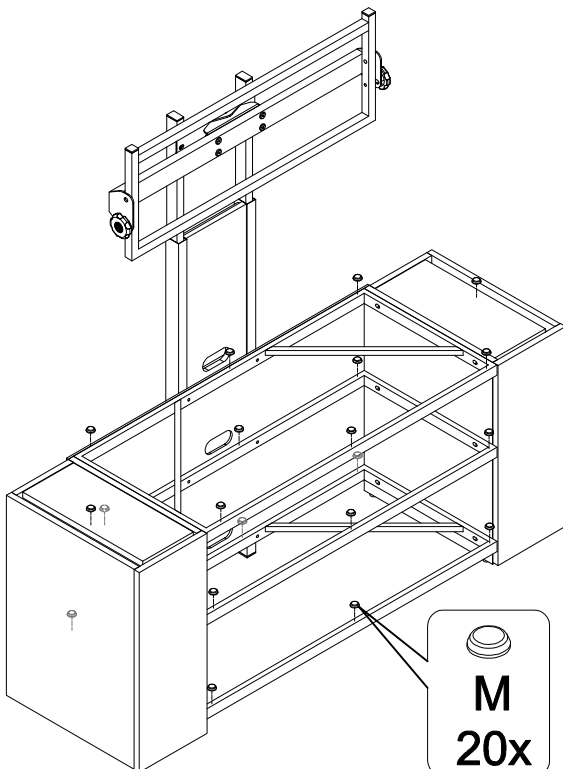
STEP 12

- * Install the mounting bracket as shown.
- Level the mounting bracket and tighten the screws.



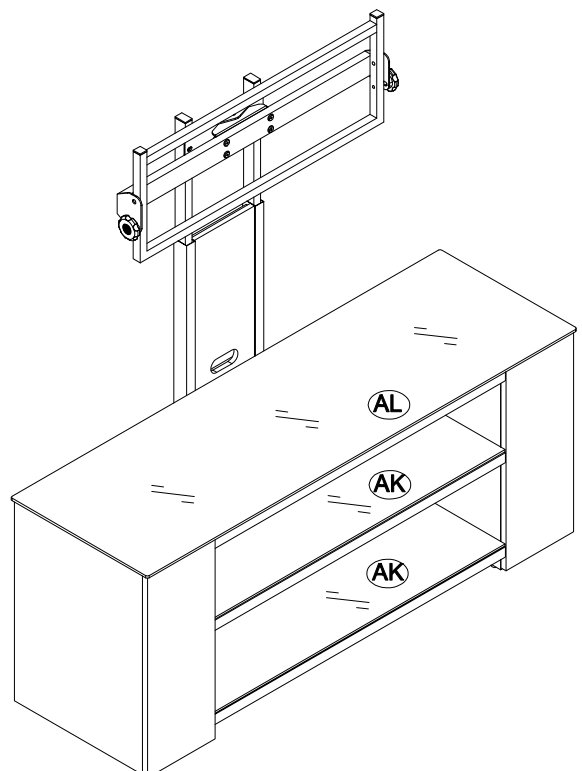
STEP 13

- * Apply the self adhesive vinyl bumper as shown.



STEP 14

- * Install the glass shelves as shown.

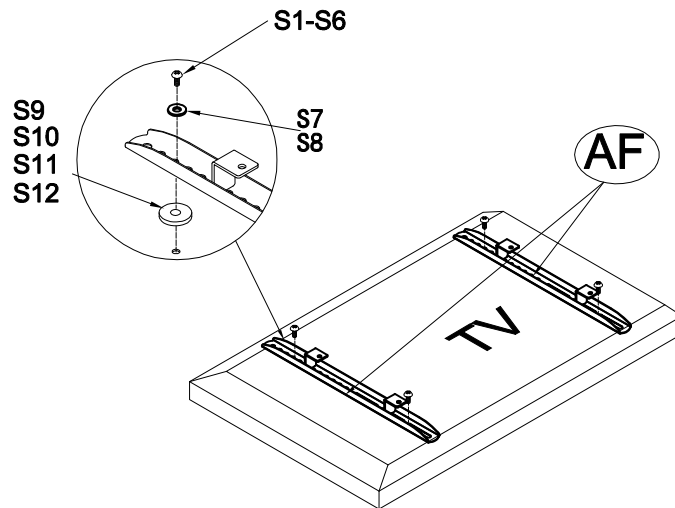


TD987DB

STEP 15

* Install the mounting bracket on the TV(choose one of the screws that fits)

Note: Some TV models are not VESA compliant that require special mounting adapter to mount the TV. Please review the TV user manual or contact the TV manufacturer for detail information.



STEP 16

* Hang the TV on the mounting bracket.

- Install the knobs(Part P) to the top anchor of the bracket to secure the system as shown.
- The bottom anchor does not need a knob.

