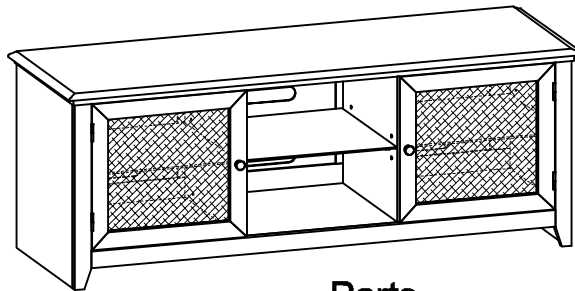

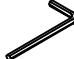


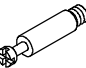








## Assembly Instructions

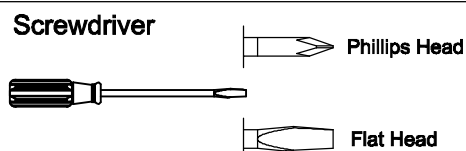
If you have any missing part or question please send email to [info@transdecointl.com](mailto:info@transdecointl.com) or call 1-909-606-3833 for assistance. Please have your product model number ready.




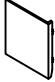
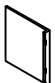
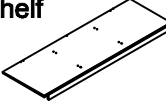
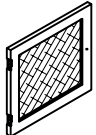
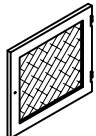

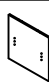
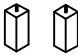



### Hardware

NO.	DESCRIPTION	QTY
A	45 mm Screw M6*45mm 	4
B	Hex Key M4*55mm 	1
C	Barrel Nut M6*12mm 	4
D	Cam Lock Ø15*12mm 	22
E	Bolt M6*40mm 	22
F	Wood Dowel Ø8*30mm 	24
G	Metal Pin M6*35mm 	12
H	Door Knob Ø28*25mm 	2
I	Machine Screw M4*22mm 	2
J	Magnetic touch  	2
K	Screw M3*14mm 	4
L	Screw M3.5*14mm 	4

### Tools Required / Not Included



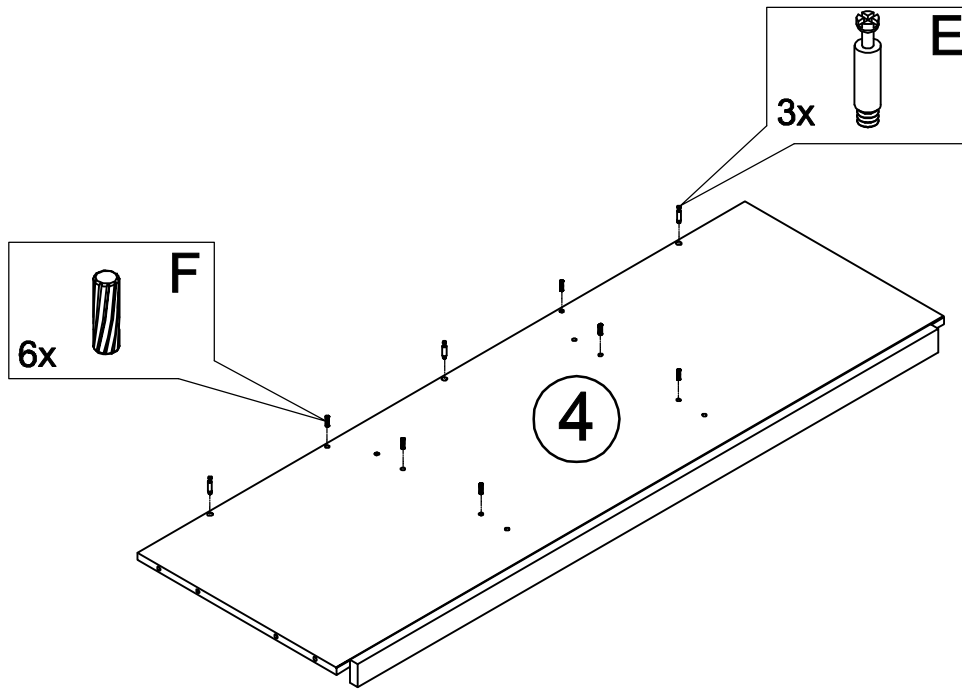
### Parts

NO.	DESCRIPTION	QTY
1	Top shelf 	1
2	Left Side 	1
3	Right Side 	1
4	Bottom shelf 	1
5	Left door 	1
6	Right door 	1
7	Left Gable 	1
8	Right Gable 	1
9	Foot 	2
10	Back Panel 	1
11	Side Glass Shelf 	2
12	Center Glass Shelf 	1

# TD960B

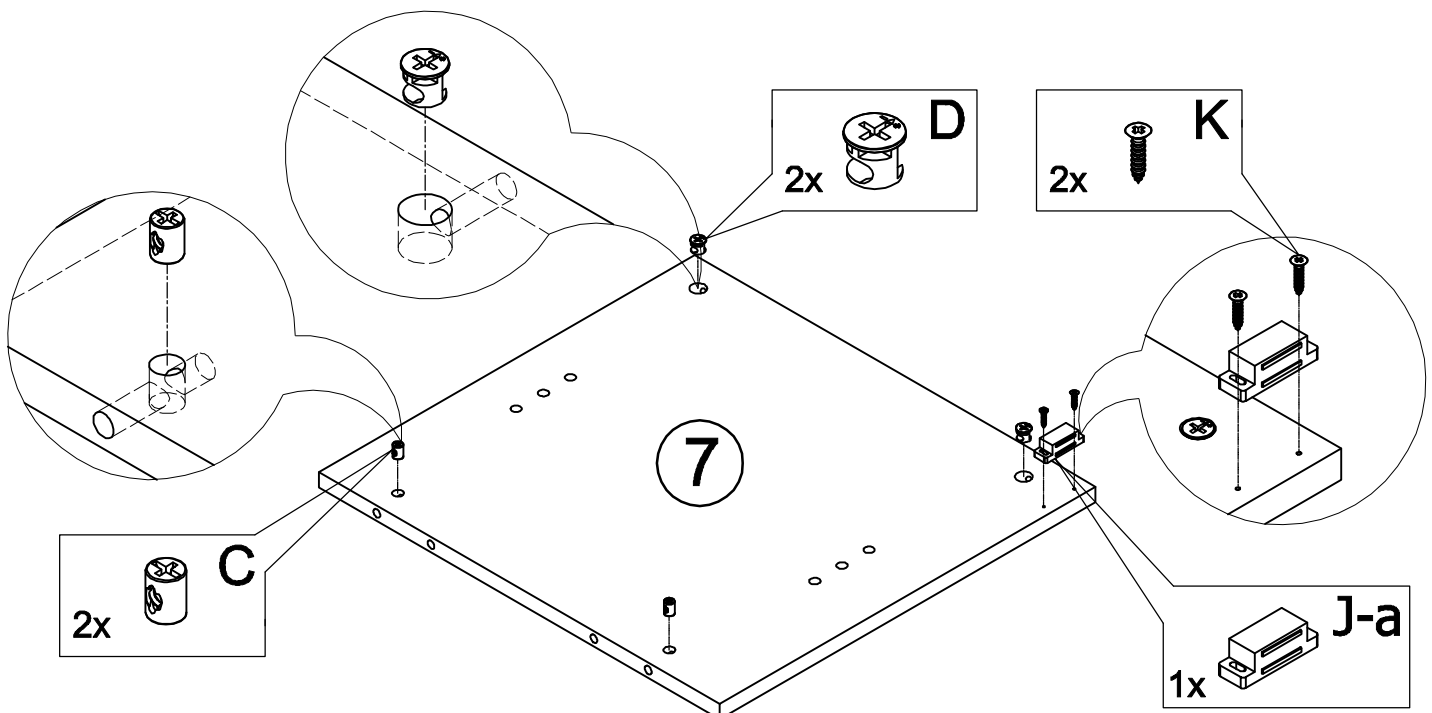
## STEP 1

- 1a. Insert 3 Bolts (E) into Bottom Shelf (Part 4);
- 1b. Insert 6 Wood Dowels (F) into Part 4.



## STEP 2

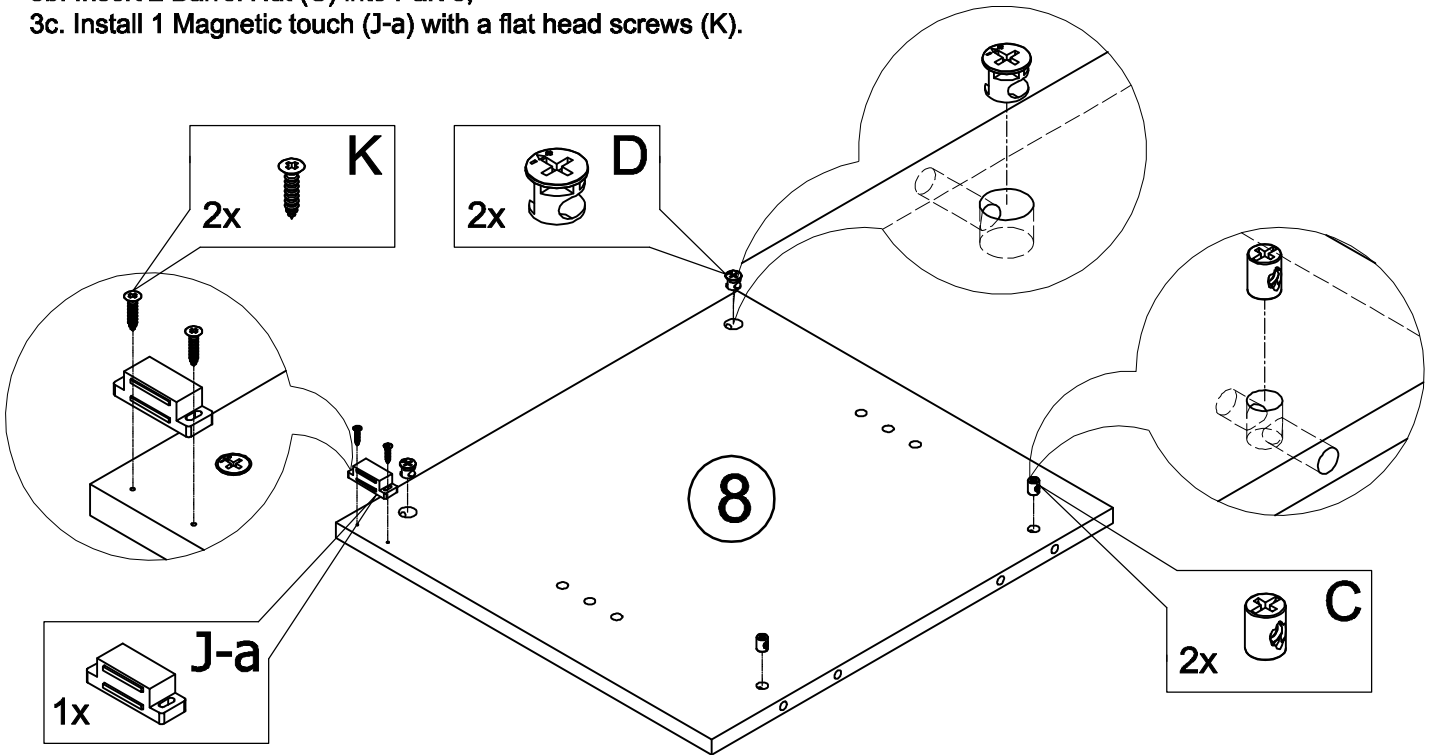
- 2a. Insert 2 cams (D) into Left Gable (Part 7);
- 2b. Insert 2 Barrel Nut (C) into (Part 7);
- 2c. Install 1 Magnetic touch (J-a) with a flat head screws (K).



# TD960B

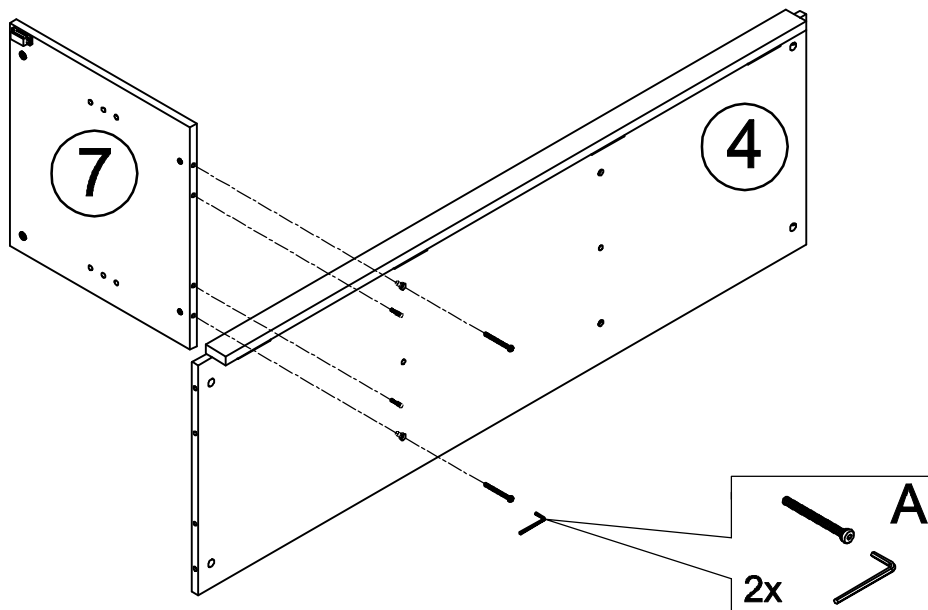
## STEP 3

- 3a. Insert 2 cams (D) into Right Gable (Part 8);
- 3b. Insert 2 Barrel Nut (C) into Part 8;
- 3c. Install 1 Magnetic touch (J-a) with a flat head screws (K).



## STEP 4

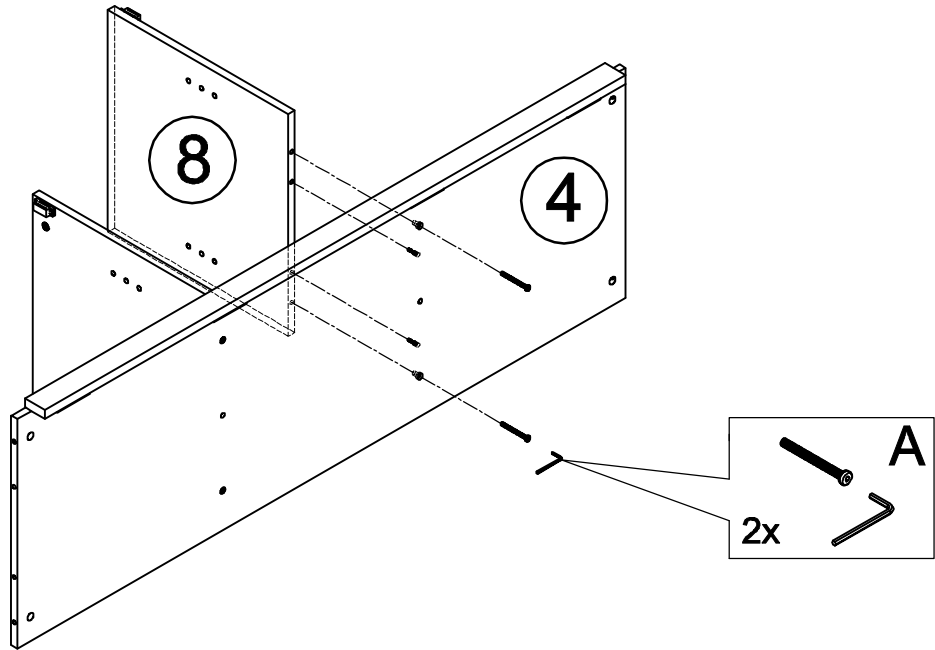
- 4a. Attach the Left Gable (Part 7) to the Bottom Shelf (Part 4);
- 4b. Tighten the 2 screws (A) from under side of the Bottom Shelf with the provided Hex Key.



# TD960B

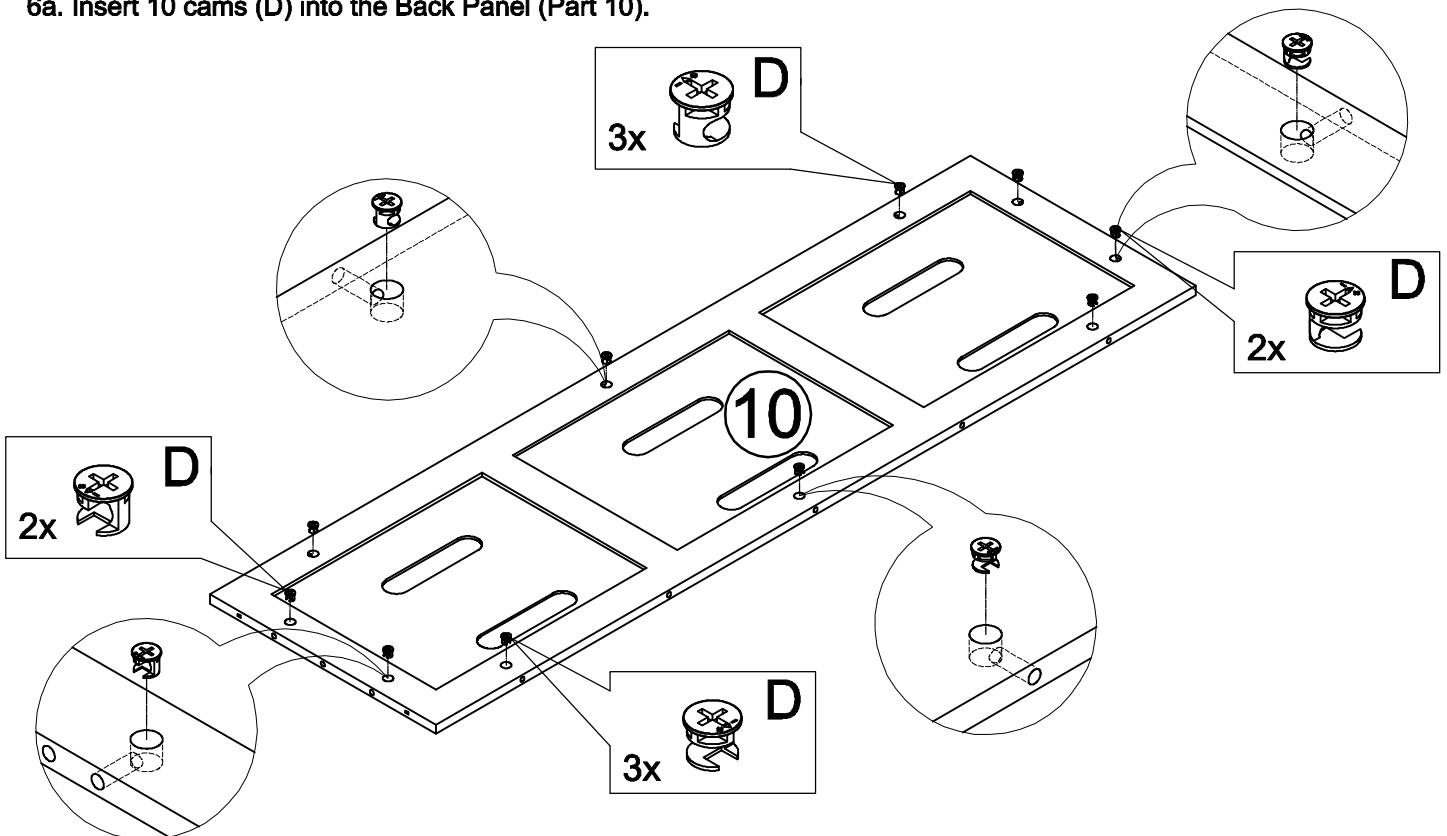
## STEP 5

- 5a. Attach the Right Gable (Part 8) to the Bottom Shelf (Part 4);
- 5b. Tighten the 2 screws (A) from under side of the Bottom Shelf with the provided Hex Key.



## STEP 6

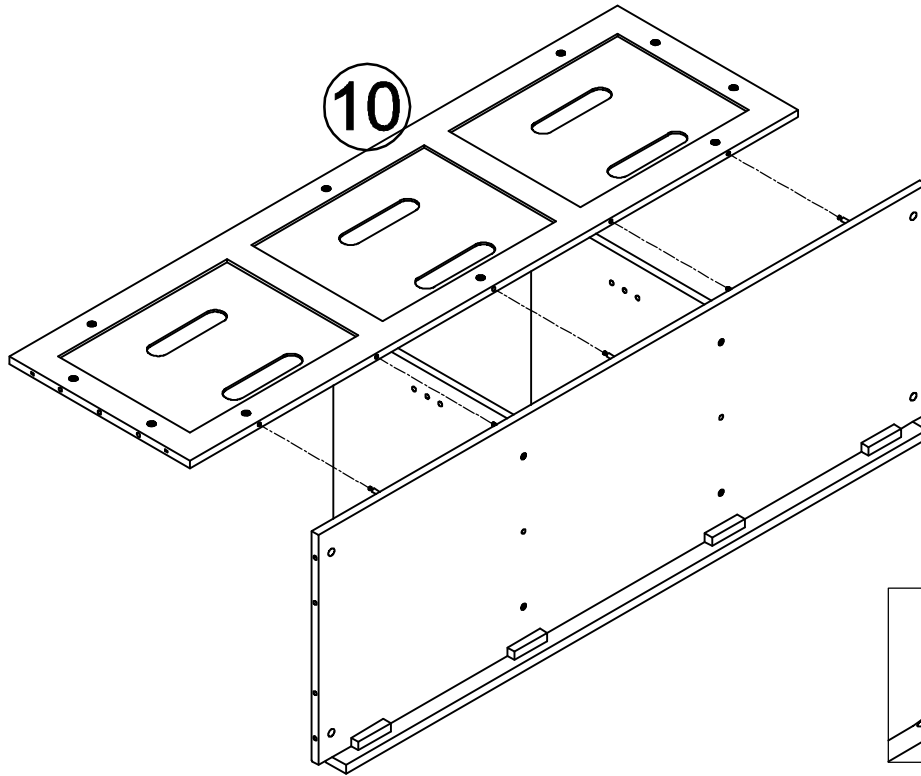
- 6a. Insert 10 cams (D) into the Back Panel (Part 10).



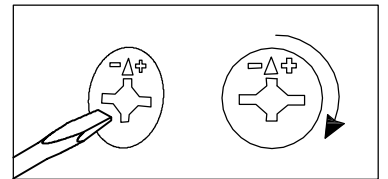
# TD960B

## STEP 7

- 7a. Attach the Back Panel (Part 10) to the Bottom Shelf;
- 7b. Lock 3 cams installed on Part 10 with a flat head screwdriver.

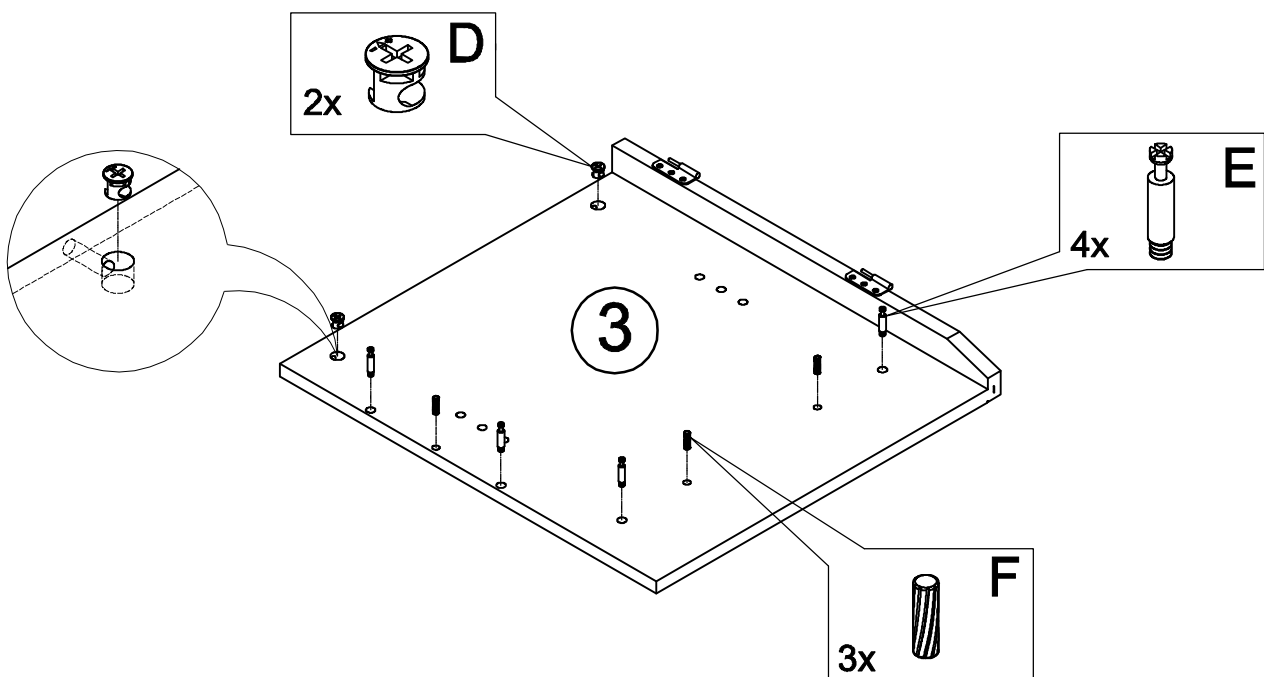


Turn cam 210° clockwise to lock



## STEP 8

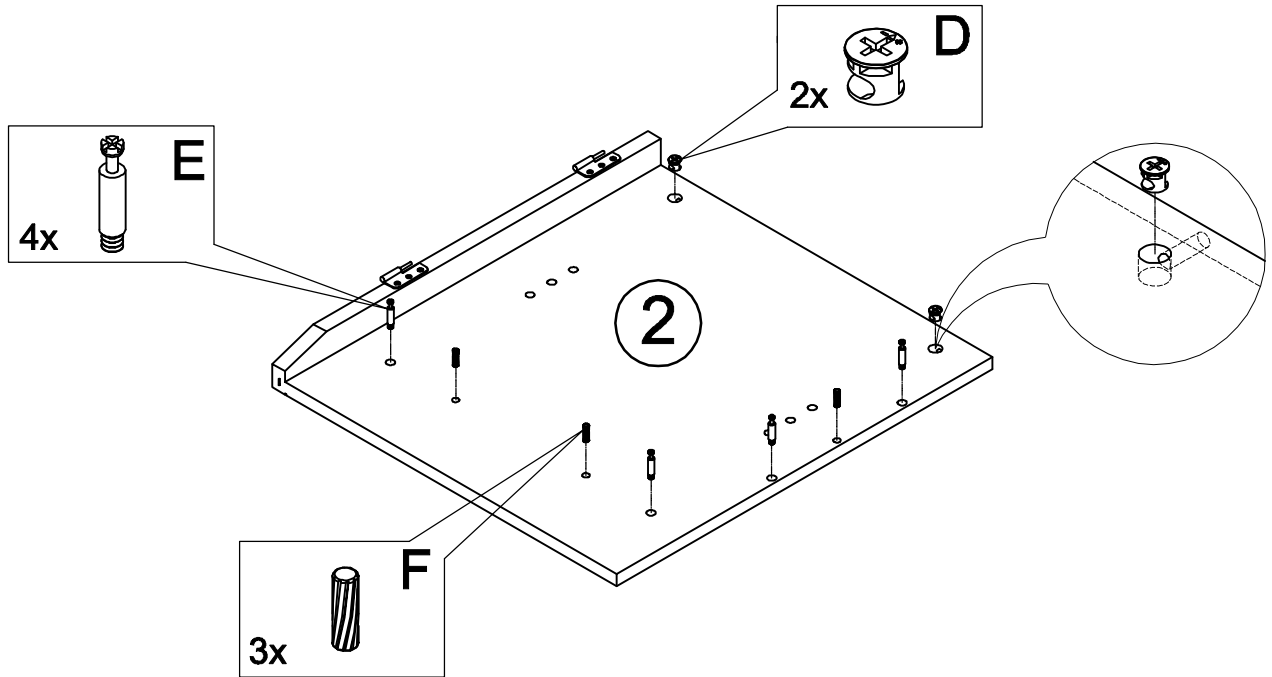
- 8a. Insert 2 cams (D) into the Right Side (Part 3);
- 8b. Screw 4 Bolts (E) into Part 3;
- 8c. Insert 3 Wood Dowels (F) into Part 3.



# TD960B

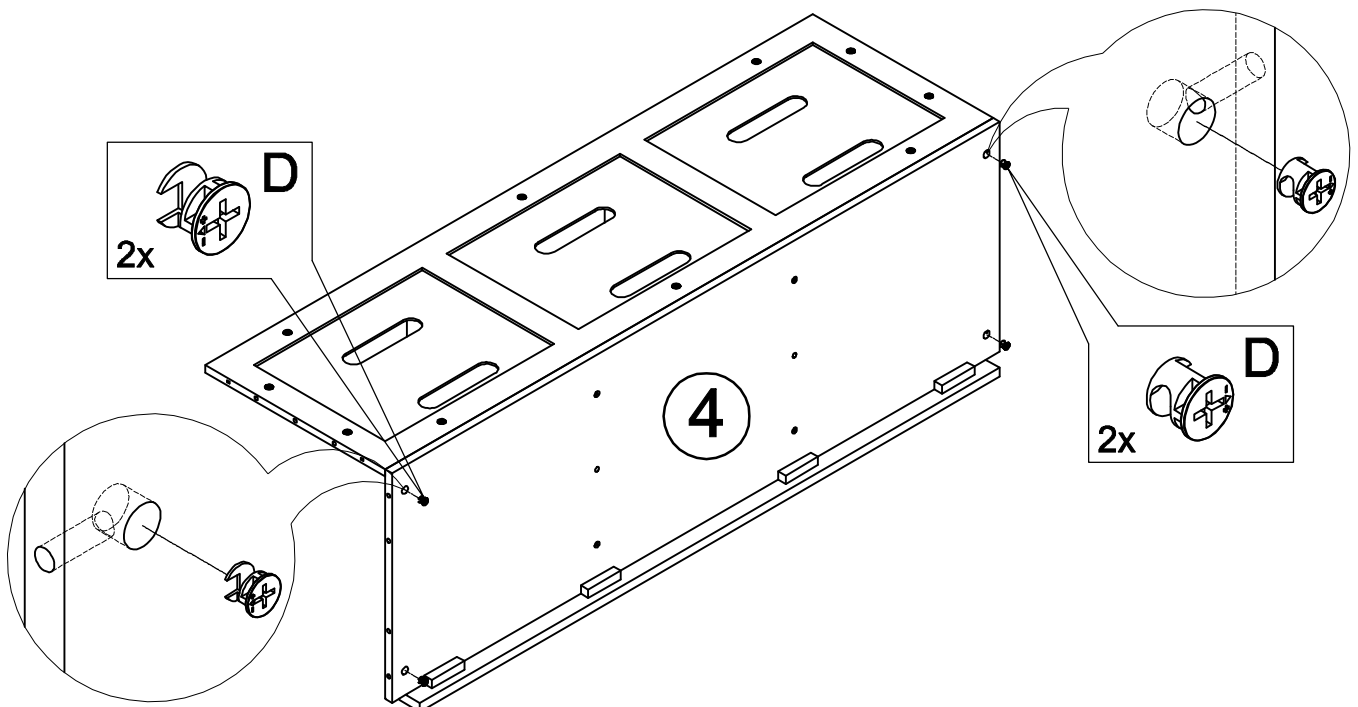
## STEP 9

- 9a. Insert 2 cams (D) into the Left Side (Part 2);
- 9b. Screw 4 Bolts (E) into Part 2;
- 9c. Insert 3 Wood Dowels (F) into Part 2.



## STEP 10

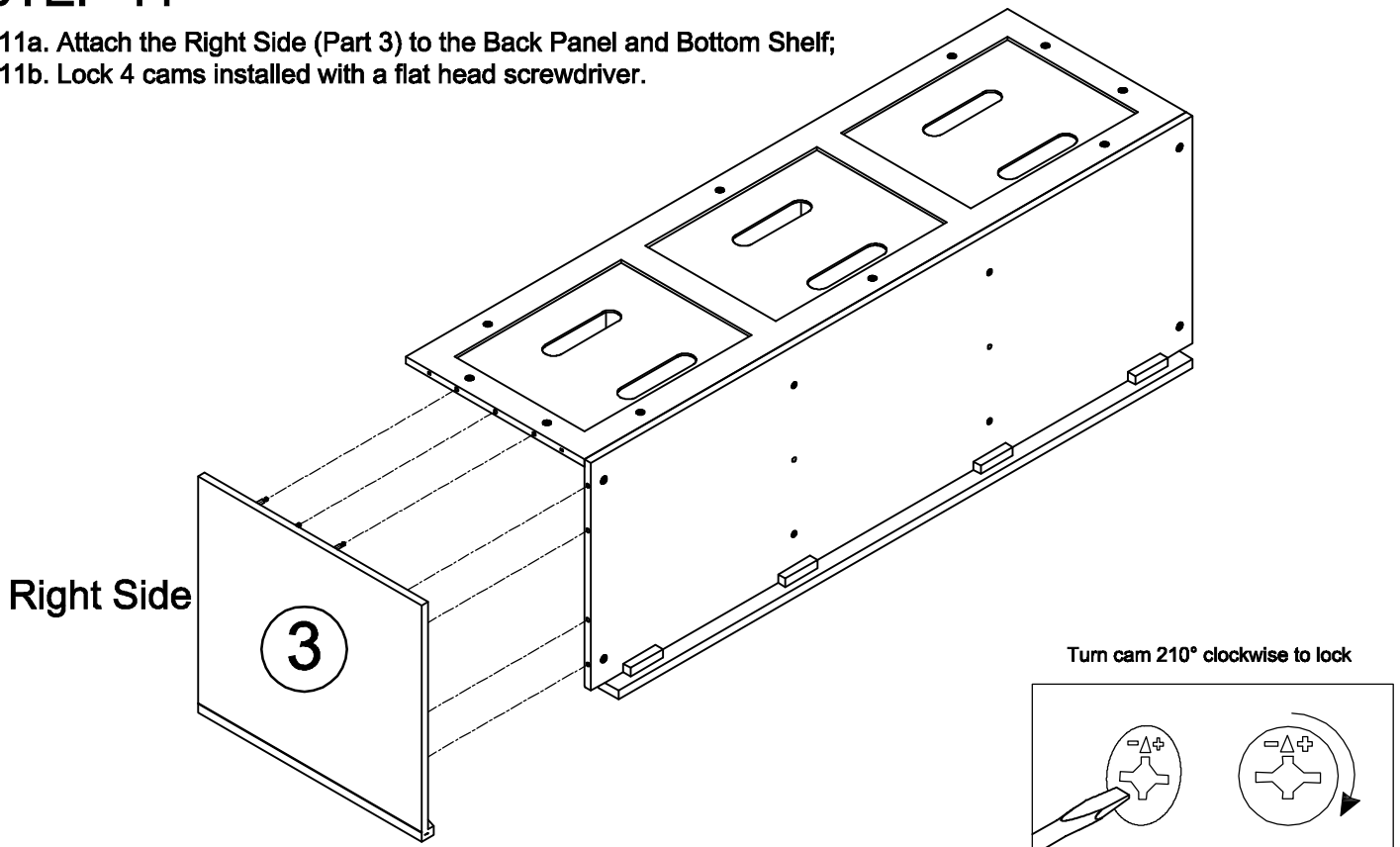
- 10a. Insert 4 cams (D) into the Bottom Shelf (Part 4).



# TD960B

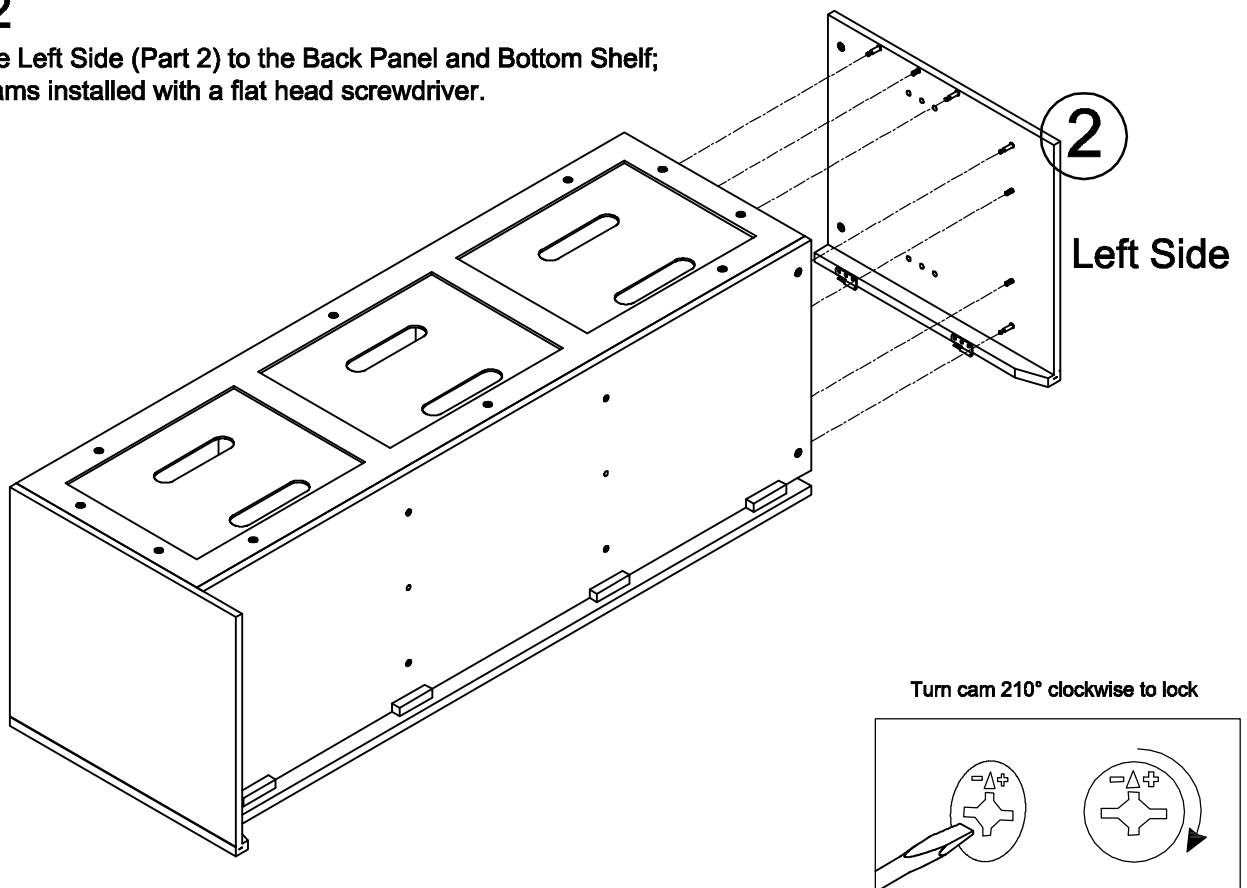
## STEP 11

- 11a. Attach the Right Side (Part 3) to the Back Panel and Bottom Shelf;  
11b. Lock 4 cams installed with a flat head screwdriver.



## STEP 12

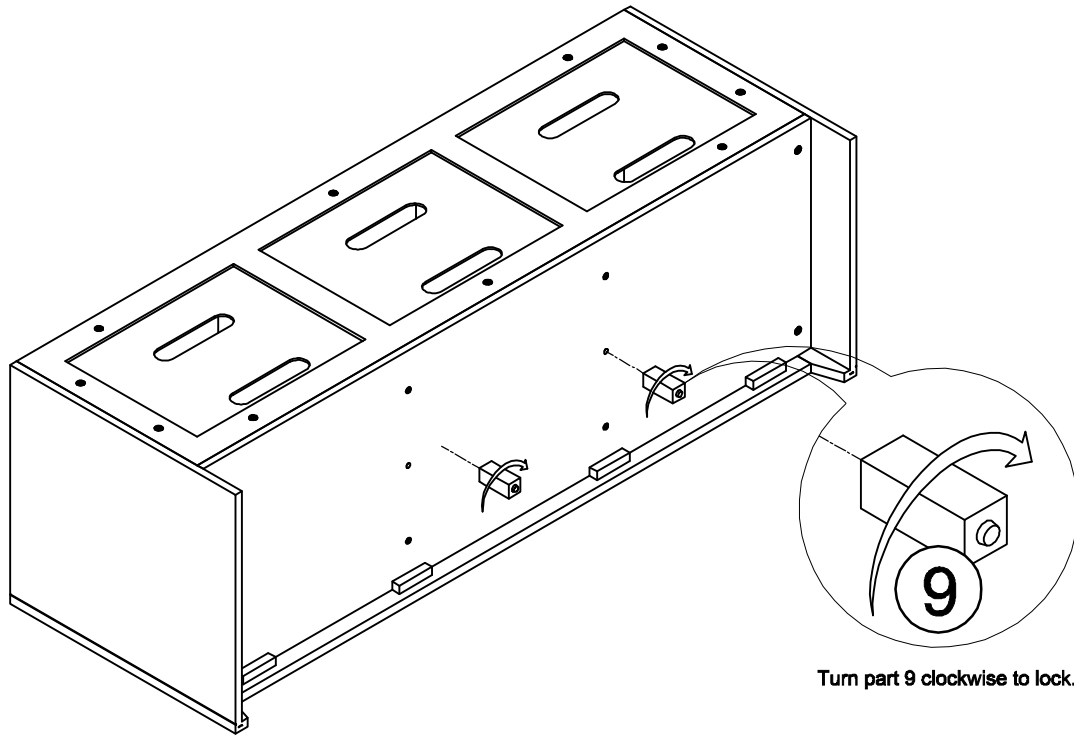
- 12a. Attach the Left Side (Part 2) to the Back Panel and Bottom Shelf;  
12b. Lock 4 cams installed with a flat head screwdriver.



# TD960B

## STEP 13

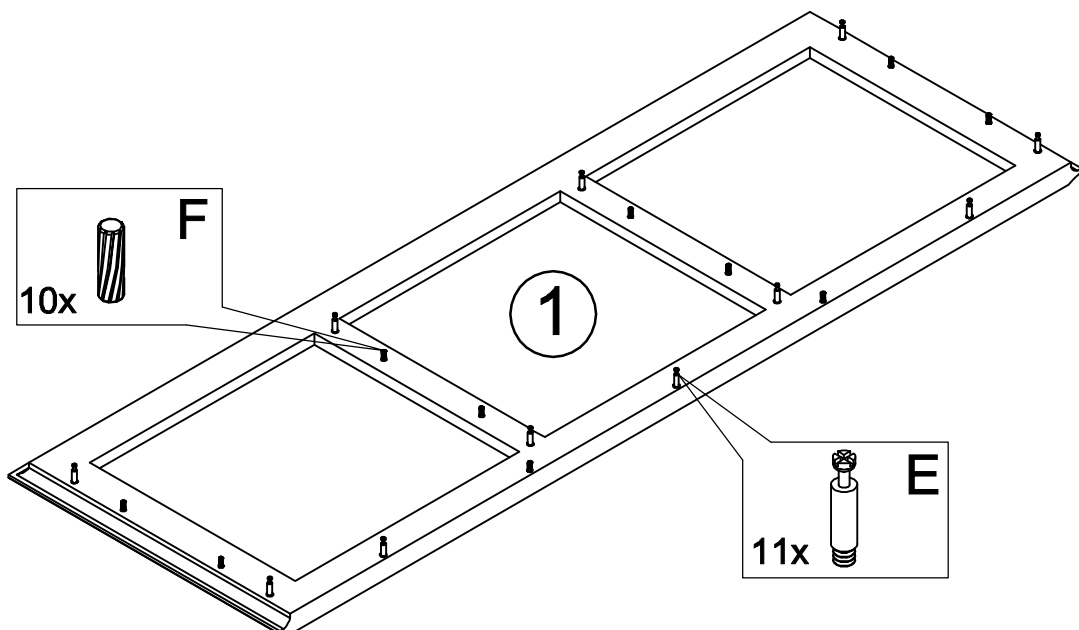
13a. Install part 9 to the bottom shelf.



Turn part 9 clockwise to lock.

## STEP 14

14a. Screw 11 Bolts (E) into underside of the Top Shelf (Part 1);  
14b. Insert 10 Wood Dowels (F) into Part 1.

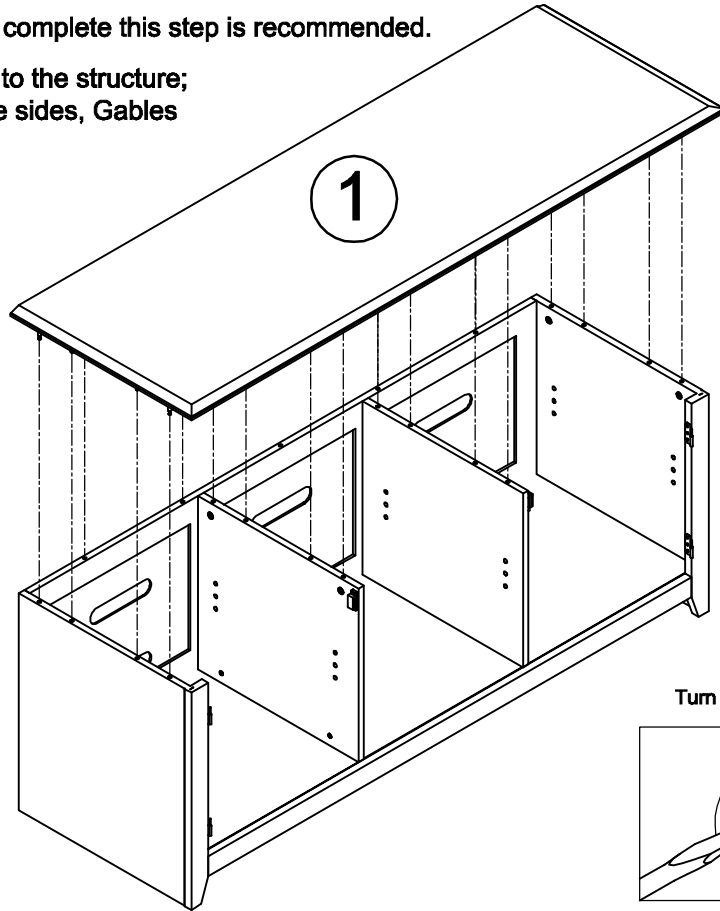




# TD960B

## STEP 15 Two persons to complete this step is recommended.

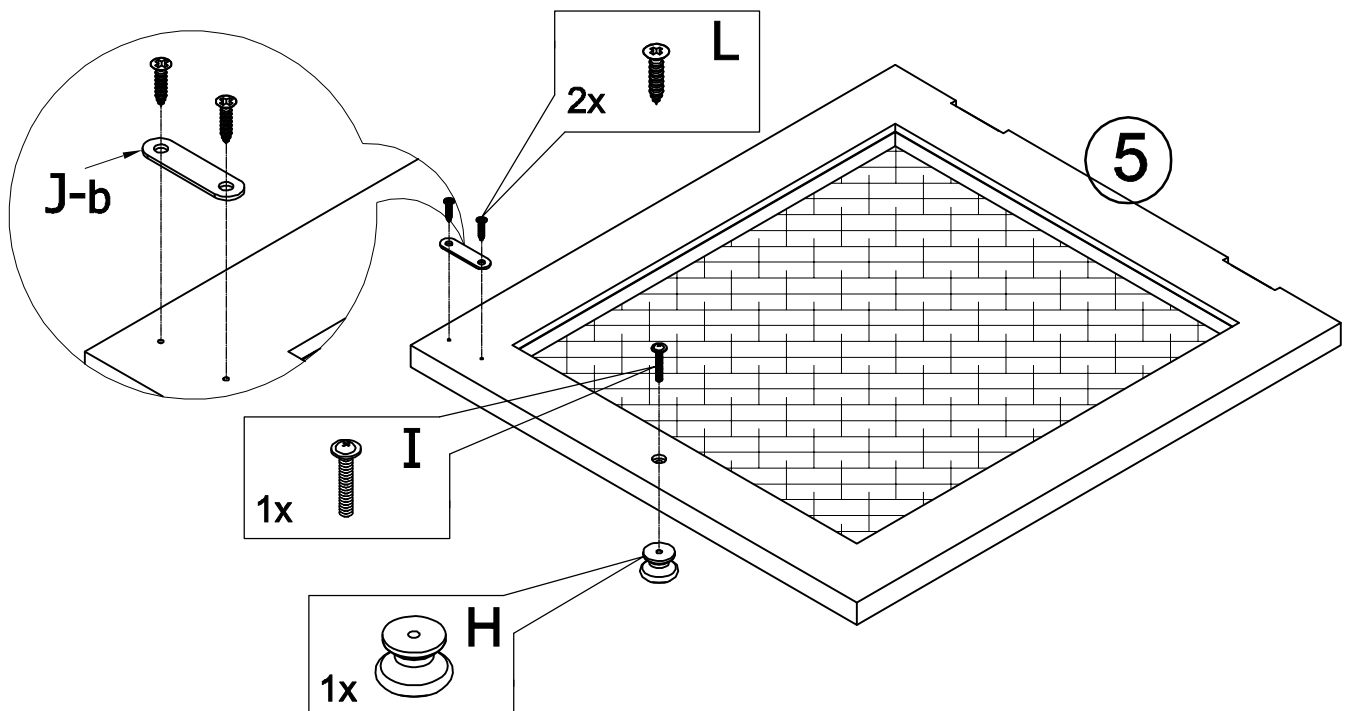
- 15a. Attach the Top Shelf (Part 1) to the structure;
- 15b. Lock 11 cams installed on the sides, Gables and the Back Panel.



Turn cam 210° clockwise to lock

## STEP 16

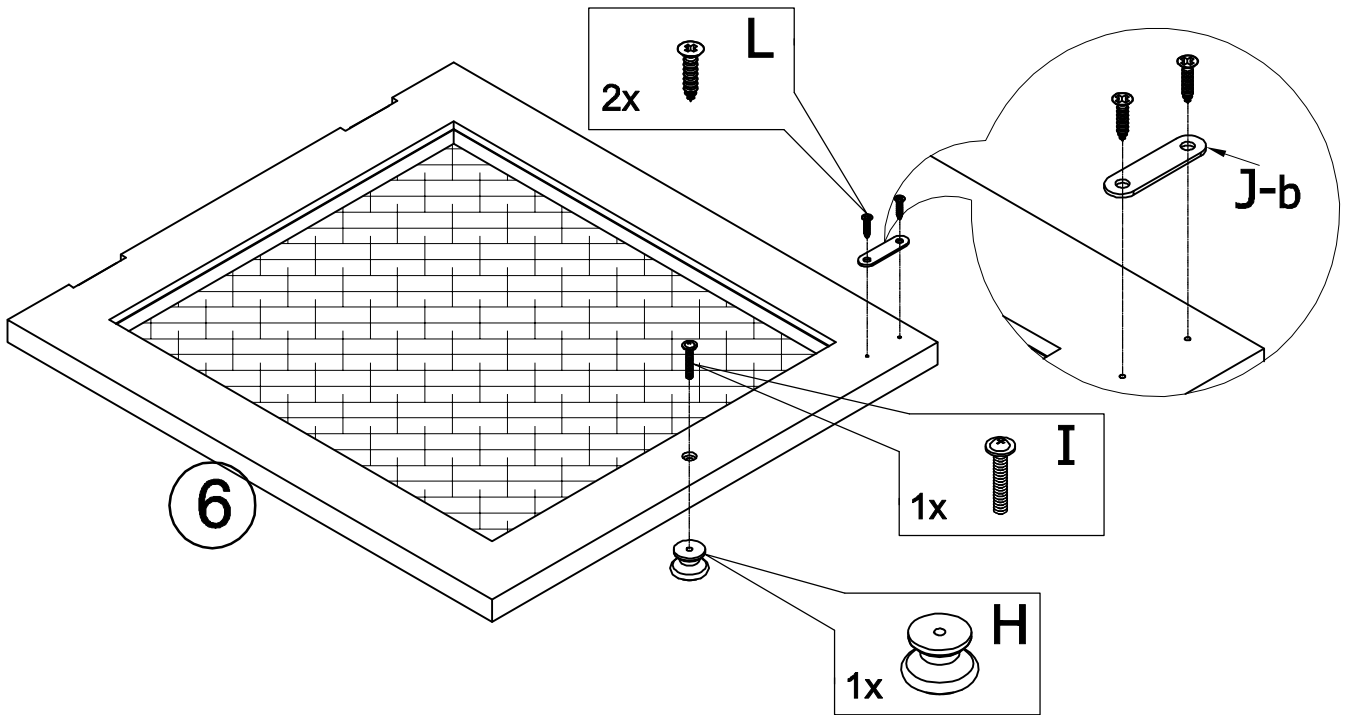
- 16a. Install 1 Magnetic touch (J-b) with flat head screws (L);
- 16b. Attach a Door Knob (H) to the Left Door.



# TD960B

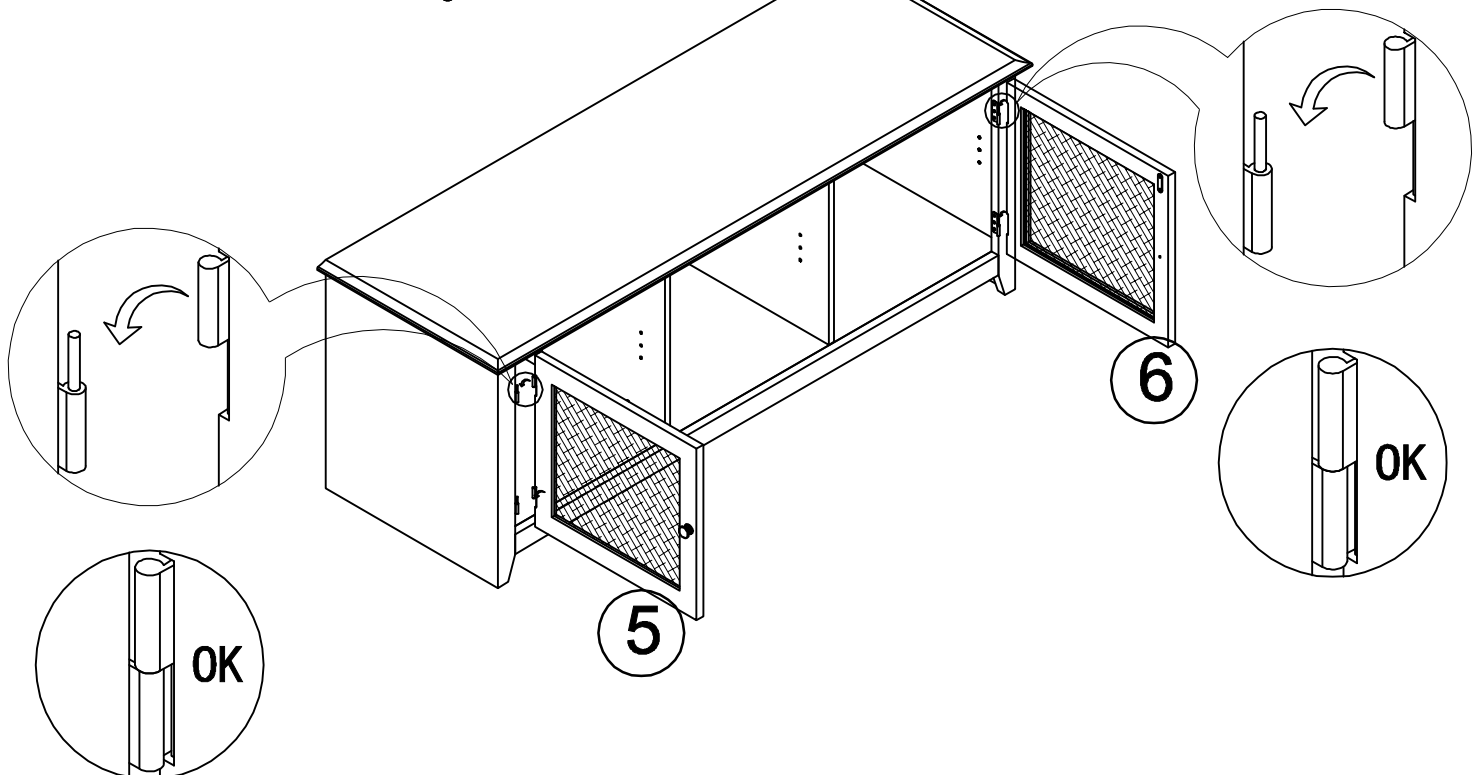
## STEP 17

- 17a. Install 1 Magnetic touch (J-b) to the Right Door;
- 17b. Attach a Door Knob to the Right Door.



## STEP 18

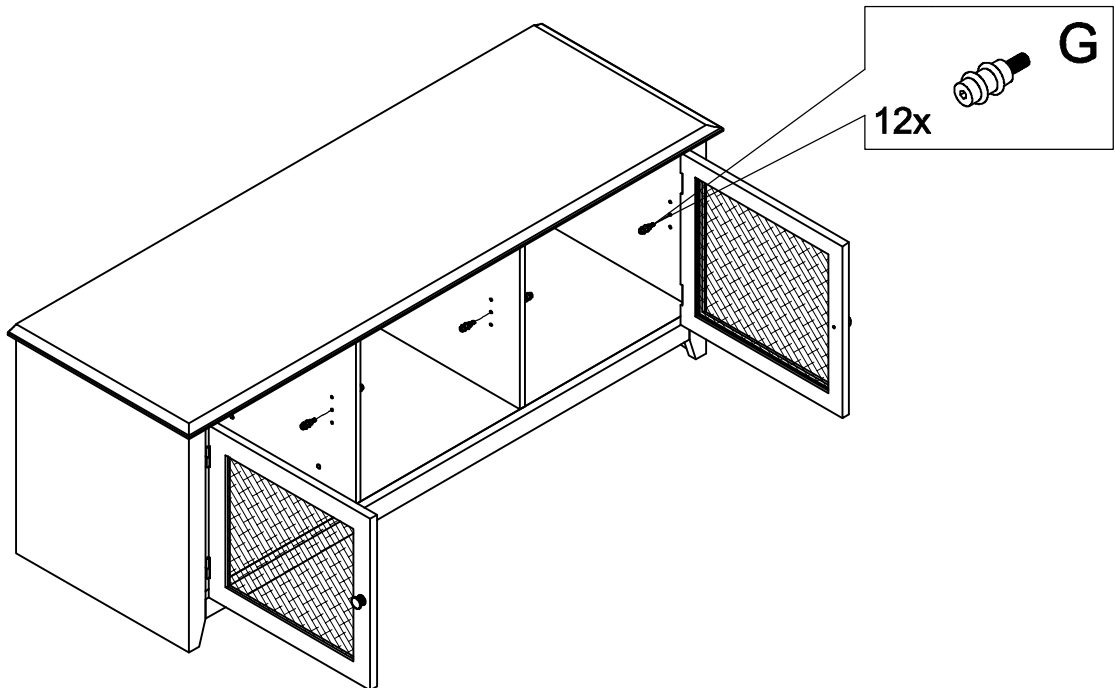
- 18a. Connect the hinges installed on the Left Door to the hinges installed on the left side;
- 18b. Do the same to install the Right Door.



# TD960B

## STEP 19

19a. Screw 12 Pins (G) into the Sides and the Gables.



## STEP 20

20a. Insert the Glass Shelves.

