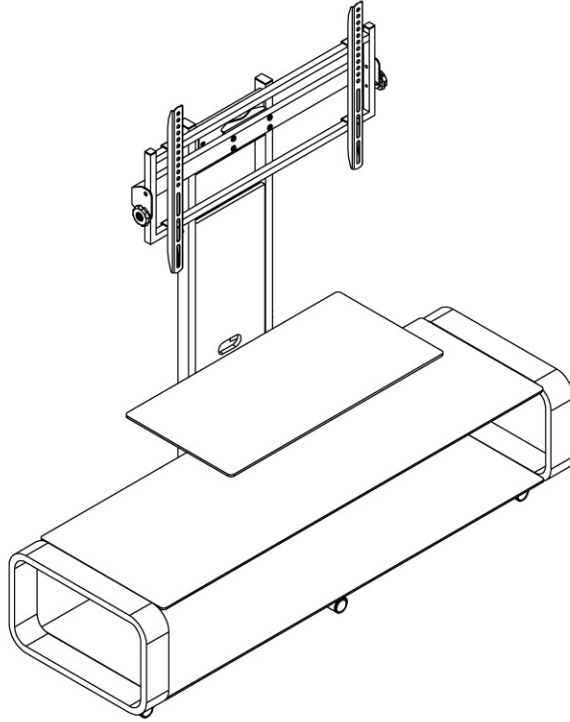




TD685 Series

If you have any missing parts or questions please email info@transdecointl.com or call 909-606-3833
 Mon - Fri 9 AM to 5 PM pacific time. Please have your product model number available.



NO.	DESCRIPTION	Q'TY
A	M6x12mm 18	18
B	M6x18mm 4 set	4 set
C	M6x30mm 2	2
D	M6*32mm 4	4
E	M6x38mm 10	10
F	Ø23 2	2
G	M6 3	3
H	Ø12x2.0 16	16
I	M3.5x10mm 4+4	4+4
J	4+4	4+4
K	Ø30xM8 7	7
L	7	7
M	M4 + 1set	1set
N	2	2
O	1	1

NO.	DESCRIPTION	Q'TY
P	1	1
Q	2	2
R	1	1
S	1	1
T	1	1
U	1	1
V	1	1
W	1	1
X	1	1
Y	2	2

NO.	DESCRIPTION	Q'TY
Z	1	1

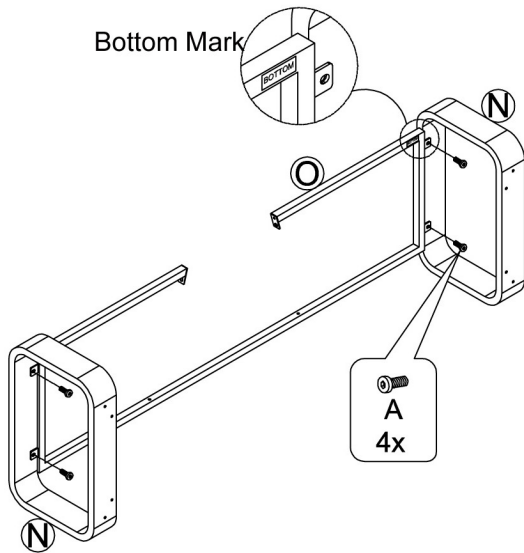
TV Mounting Hardware

NO.	DESCRIPTION	Q'TY
S1	M4x12mm 4	4
S2	M5x12mm 4	4
S3	M6x12mm 4	4
S4	M8x15mm 4	4
S5	M4x32mm 4	4
S6	M5x32mm 4	4
S7	M6x32mm 4	4
S8	M8x32mm 4	4
S9	Ø19xØ6.2 4	4
S10	Ø22xØ8.2 4	4
S11	Ø14x14mm 4	4
S12	Ø25x13mm 4	4
S13	Ø25x2mm 4	4

STEP 1

* Attach the top frame(Part O) to the wood frame(Part N);

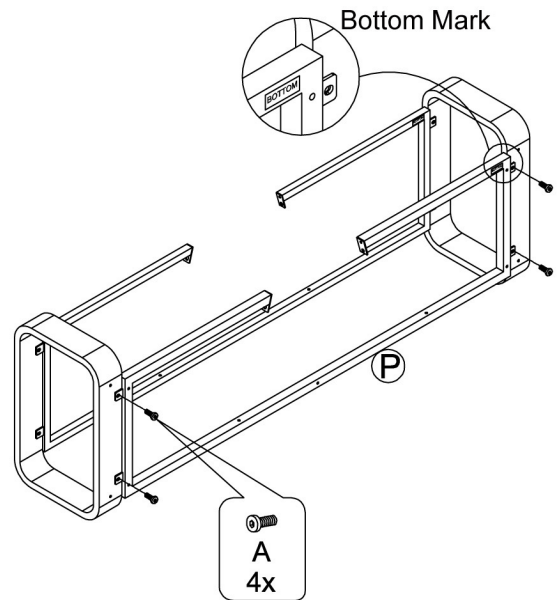
*Check the "Bottom" mark on the metal frame is on the bottom side of the frame



STEP 2

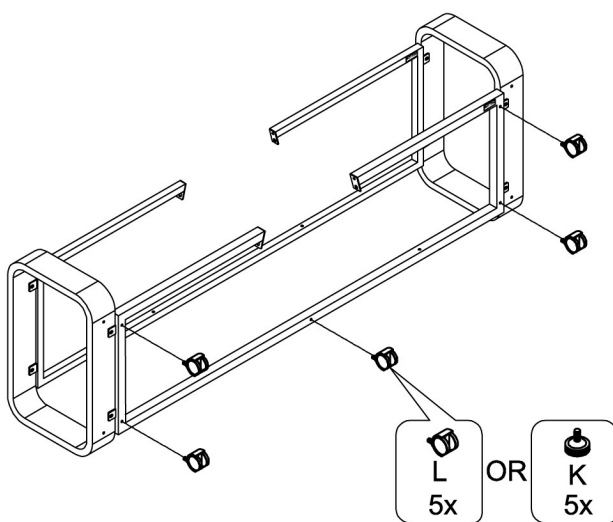
* Attach the bottom frame(Part P) to the wood frame;

* Check the "Bottom" Mark is on the bottom side of the frame



STEP 3

* Install the casters (Part L) or the adjustable feet (Part K) to the bottom frame as shown.

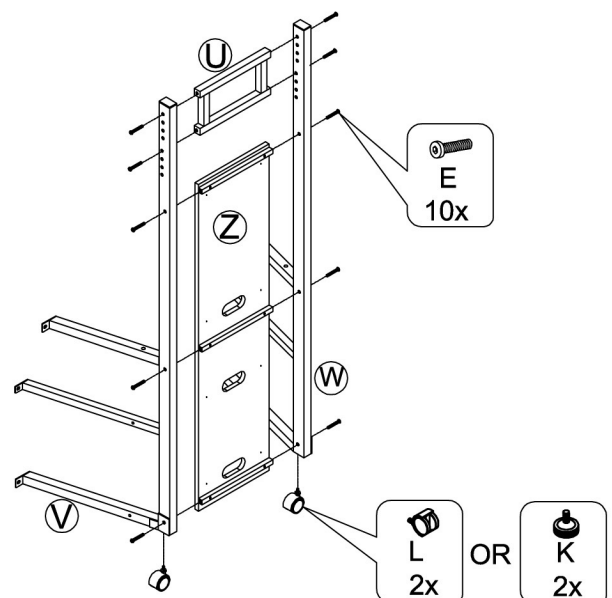


STEP 4

* Install the caster or the adjustable foot to the support poles(Part V & Part W);

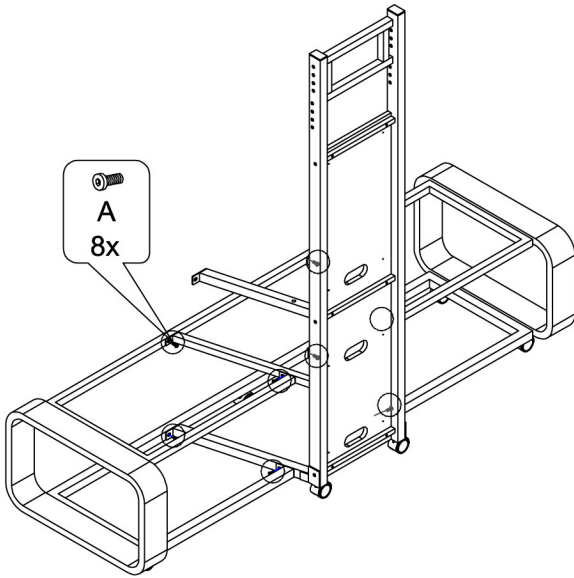
* Install the wood panel(Part Z) as shown. Do not tighten the screws to 100% at this point to ensure easy alignment and installation of the whole unit.

* Install the adjustable mounting base(Part U) as shown.



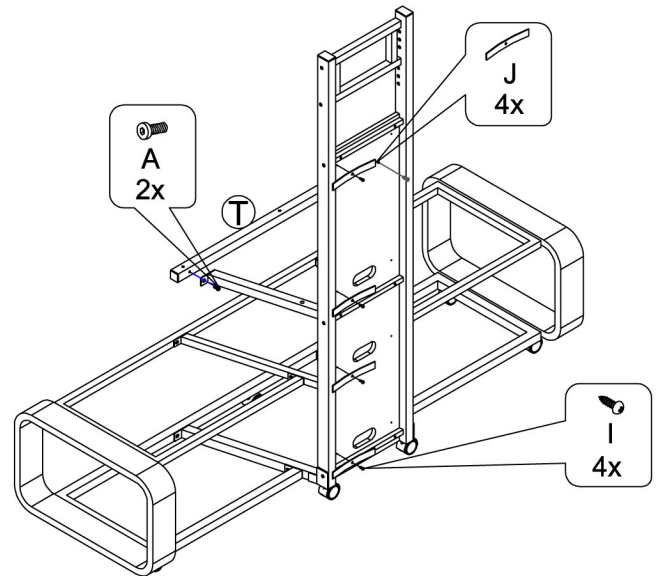
STEP 5

* Attach the back support poles to the top and bottom frames as shown. If it's difficult to align the screw holes, loosen the screws on the back support poles.



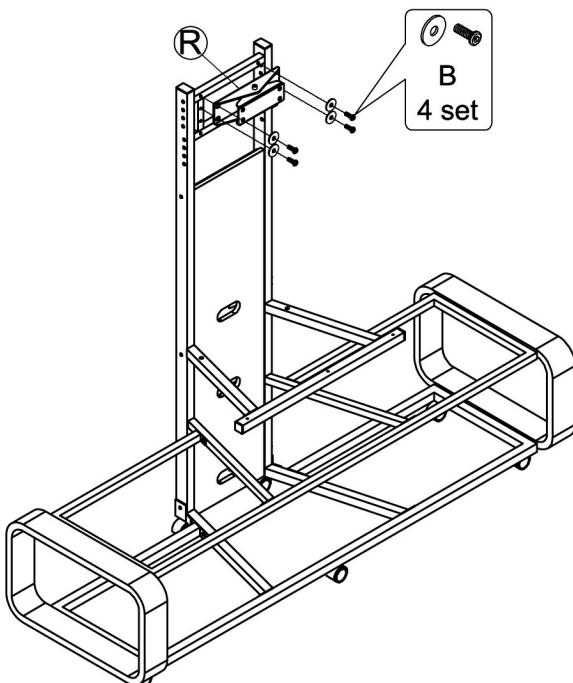
STEP 6

* Install the glass shelf support metal bar (Part T)
* Install the cable management velcro (Part J) as shown
* Tighten all the screws including those did not tightened in previous steps.



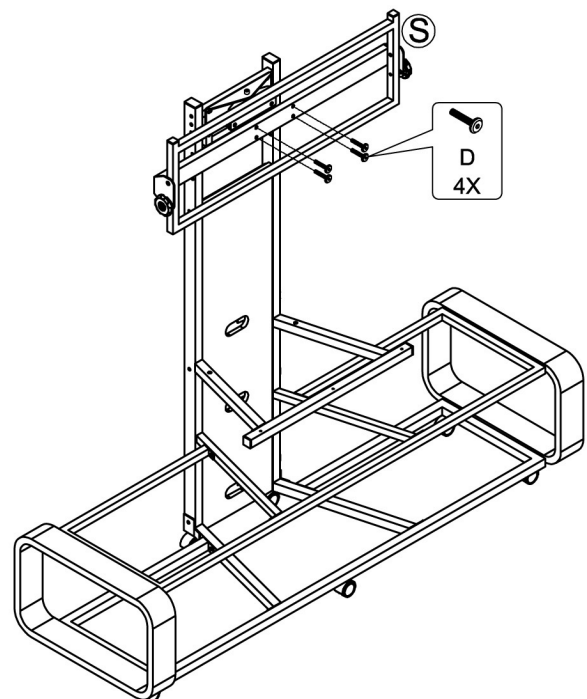
STEP 7

* Install the pivot device (Part R) as shown



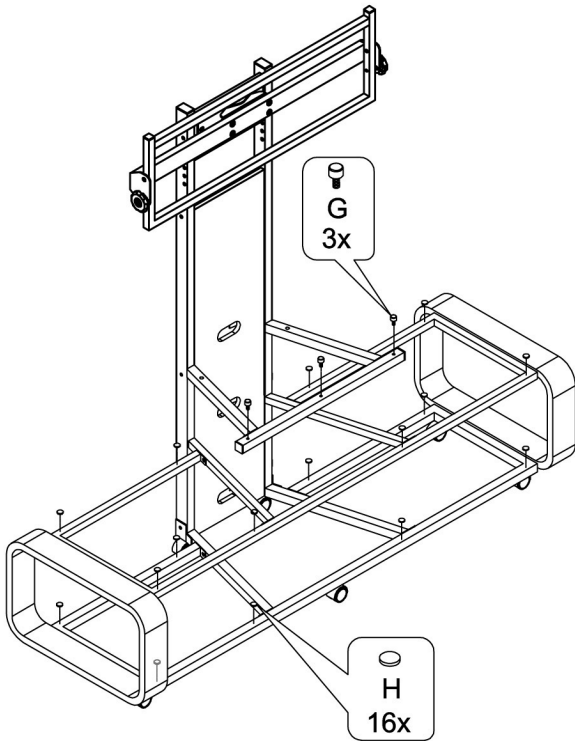
STEP 8

* Install the mounting bracket (Part S);
* Level the bracket and fasten all the screws



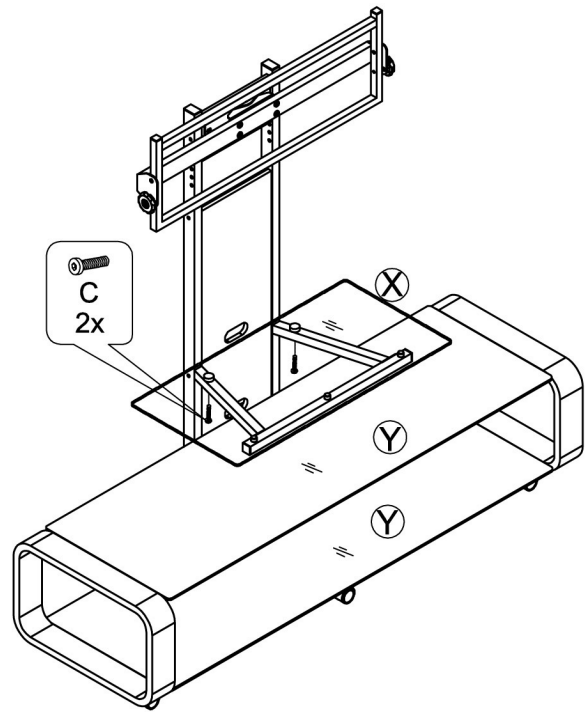
STEP 9

- * Install the glass support screws(Part G) as shown
- * Affix the silicon(Part H) on the metal frame as shown



STEP 10

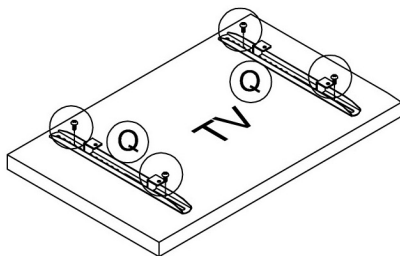
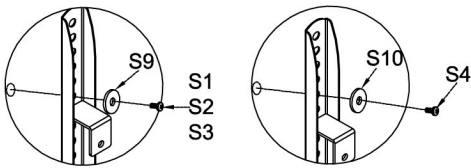
- * Install the top glass shelf as shown and check the adjustable knobs to ensure it's supporting the glass
- * Install the bottom glass shelf and the middle shelf



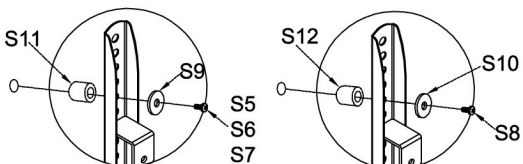
STEP 11

- * Attach the mounting bracket(Part Q) to the TV

1. Secure the mounting bracket without a spacer (Recommended)



2. Secure the mounting bracket with a spacer if needed



STEP 12

- * Install the safety bolts to the top anchor only as shown

Note: If the TV is tilting to one side or the other it can be adjusted via balance the mounting bracket or the pivot device

