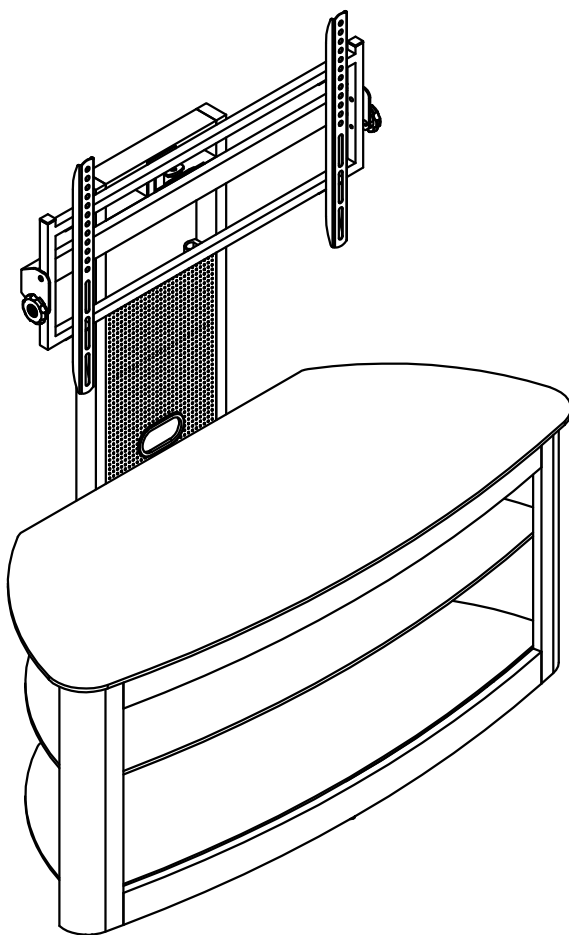

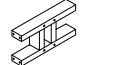


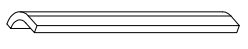


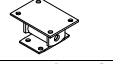




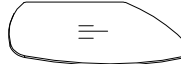
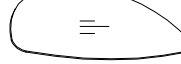


TD600ES














If you have any missing parts or questions please email info@transdecointl.com or call 909-606-3833
 Mon - Fri 9 AM to 5 PM pacific time. Please have your product model number available.



NO.	DESCRIPTION	Q TY
A	M6 	8
B	M6 	8
C	M6x10mm  +  Ø19 2set	
D	M6x12mm 	12
E	M6x25mm 	6
F	M6x42mm 	8
G	M6x45mm 	4
H	M4x12mm 	8
I	M4x12mm 	4
J	M6 	4
K	Ø12x3.5mm 	9
L	Ø23 	2
M		2
N	M6 	5
O	M4 	2
P		8
Q		2

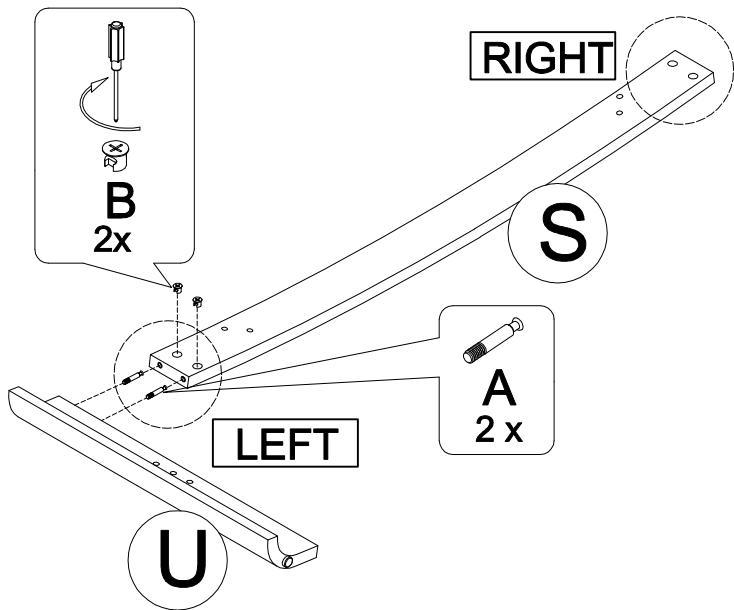
NO.	DESCRIPTION	Q TY
R		1
S		1
T		1
U		1
V		1
W		1
X		1
Y		1
Z		1
AA		1
GB		1
GC		1
GD		1

TV Mounting Hardware

NO.	DESCRIPTION	Q TY
S1	 M4x12mm	4
S2	 M5x12mm	4
S3	 M6x12mm	4
S4	 M8x12mm	4
S5	 M4x32mm	4
S6	 M5x32mm	4
S7	 M6x32mm	4
S8	 M8x32mm	4
S9	 Ø19xØ6.2	4
S10	 Ø22xØ8.2	4
S11	 Ø14x14mm	4
S12	 Ø25x13mm	4
S13	 Ø25x2mm	4

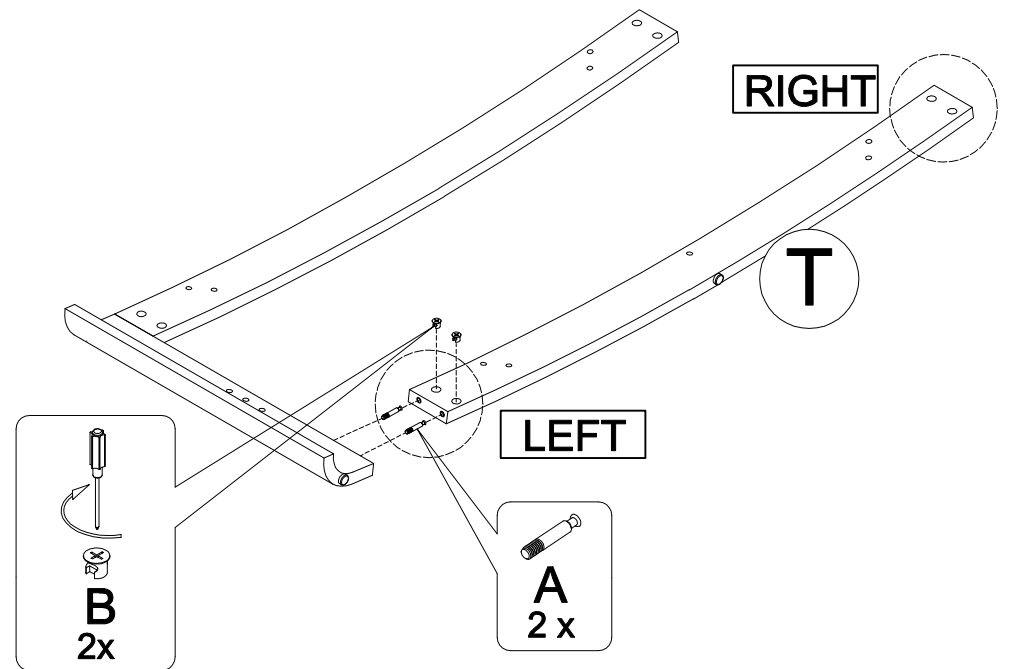
STEP 1

- Install the bolt(Part A) into the side panel(Part U);
- Insert the camlock into the top panel(Part S);
- Check the " LEFT" mark is on the left side as shown;
- Attach the top panel to the side panel;
- Turn the camlock(Part B) 210 degree with a flathead screw driver(not included).



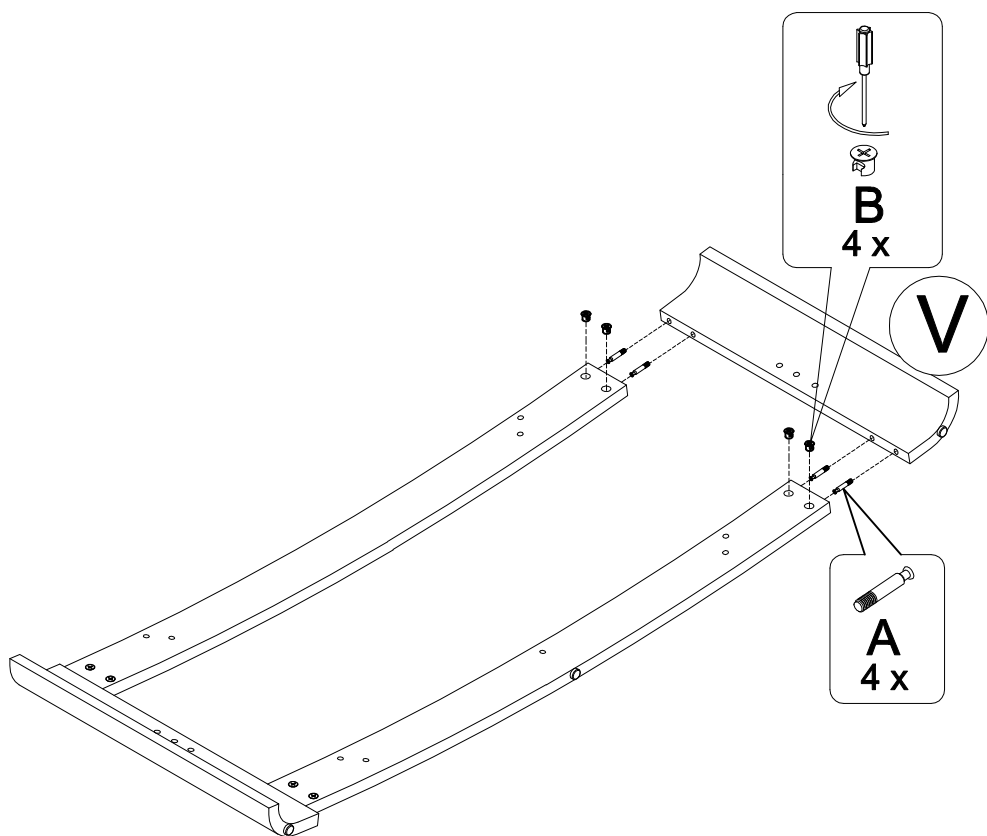
STEP 2

- Repeat Step 1 to install the bottom panel(Part T);



STEP 3

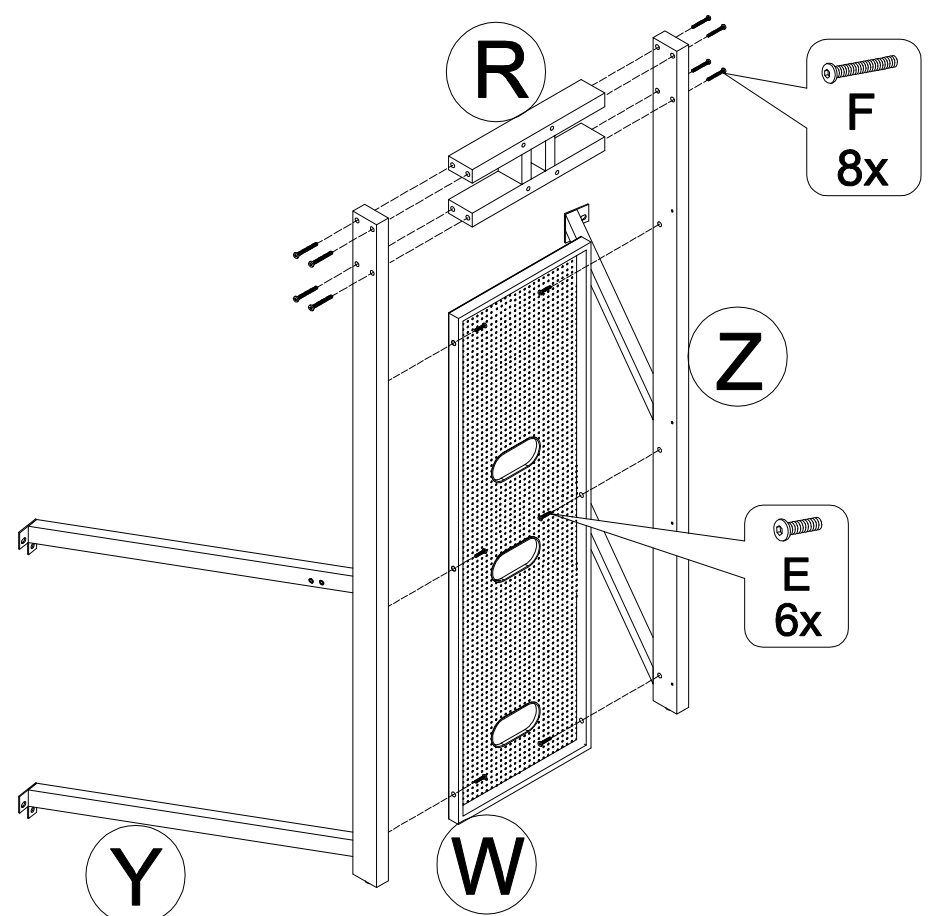
- Install the bolts(Part A) to the side panel(Part V);
- Insert the camlock to the top and the bottom panel;
- Attach the side panel(Part V) to the wood frame;
- Turn the camlocks 210 degree to lock.



STEP 4

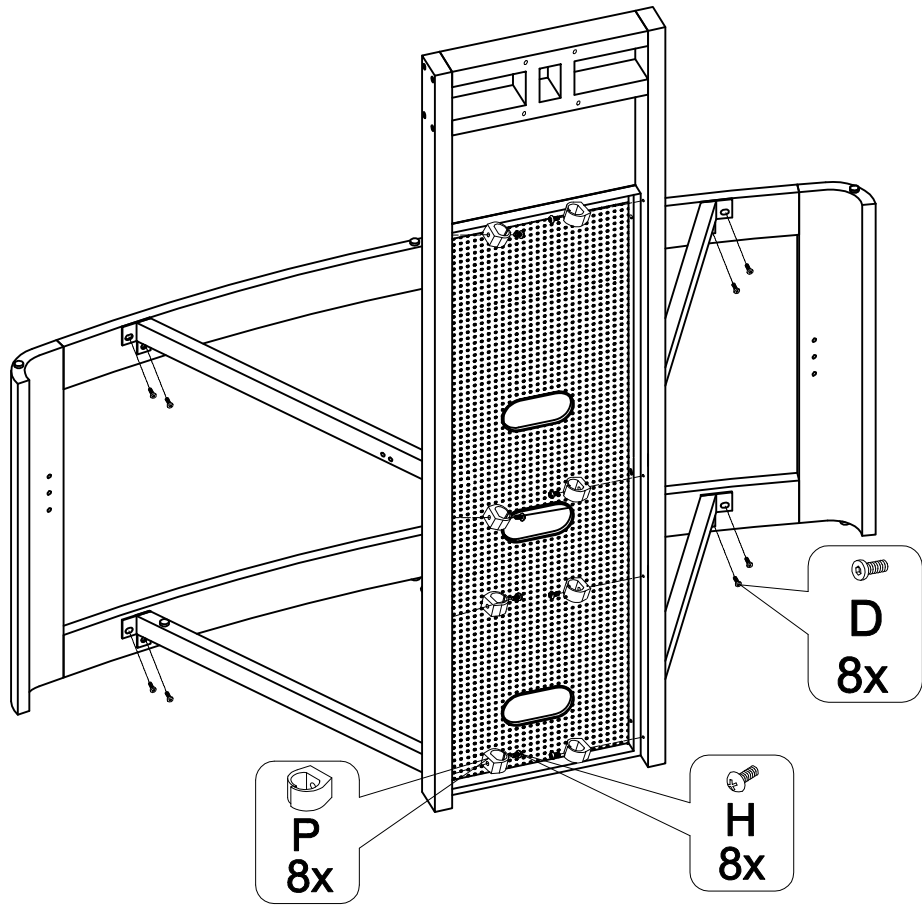
- Attach Part Y to the back panel(Part W);
- Attach part Z to the back panel;
- Install the connecting bar(Part R) as shown;

* For easy assembly, do not tighten all the screws until Step 5 completed.



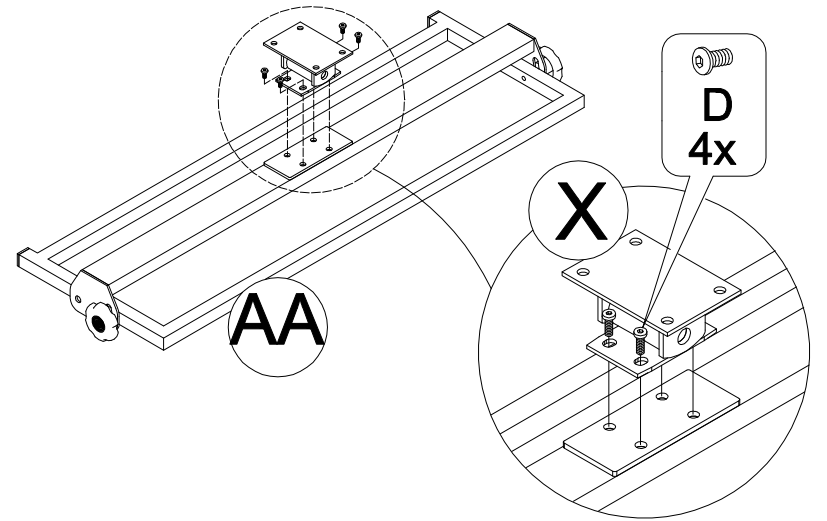
STEP 5

- Attach the wood frame to the main structure;
- Do not tighten the screws until all screws are in place;
- Align the wood frame and the main structure;
- Fasten all the screws including those on the back panel and the top connecting bar;
- Install the wire management clips (Part H).



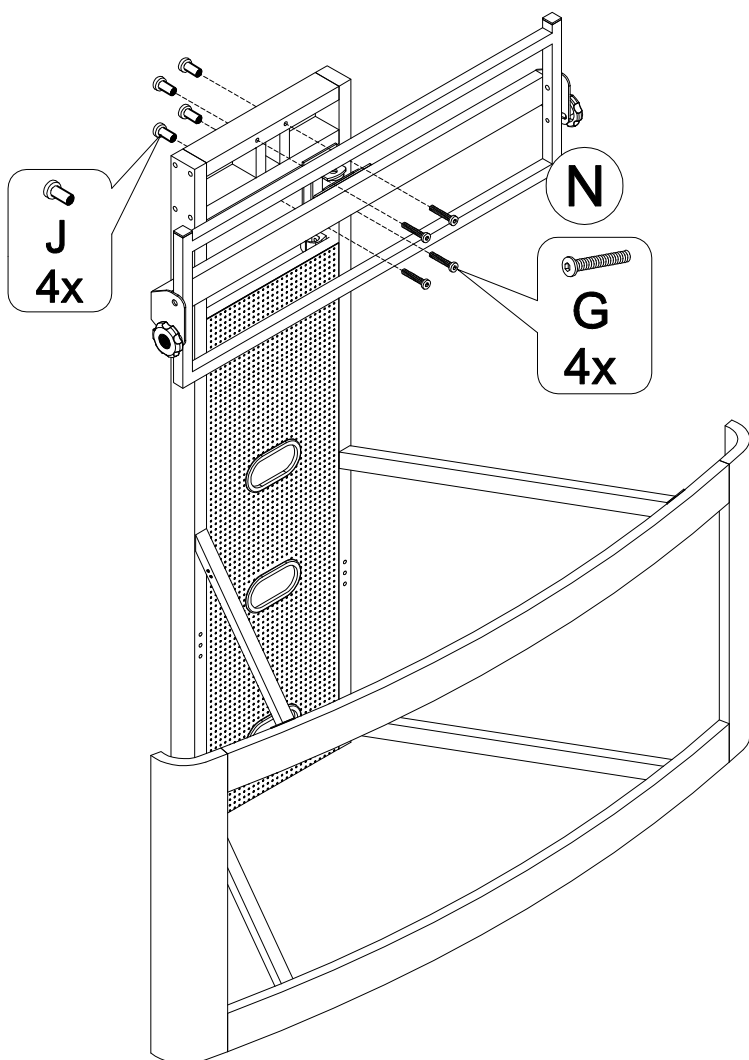
STEP 6

- Install the pivoting device (Part X) to the mounting bracket (Part AA).



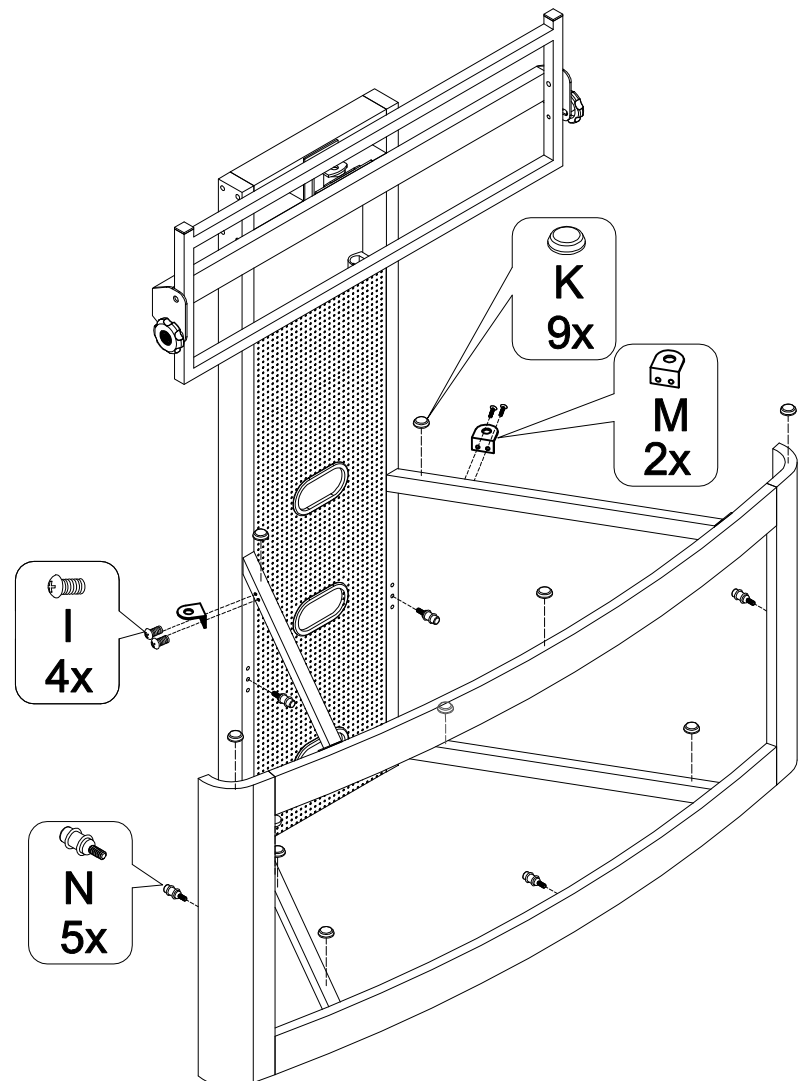
STEP 7

- Attach the mounting bracket to the main structure as shown;
- Level the mounting bracket and fasten all the screws.



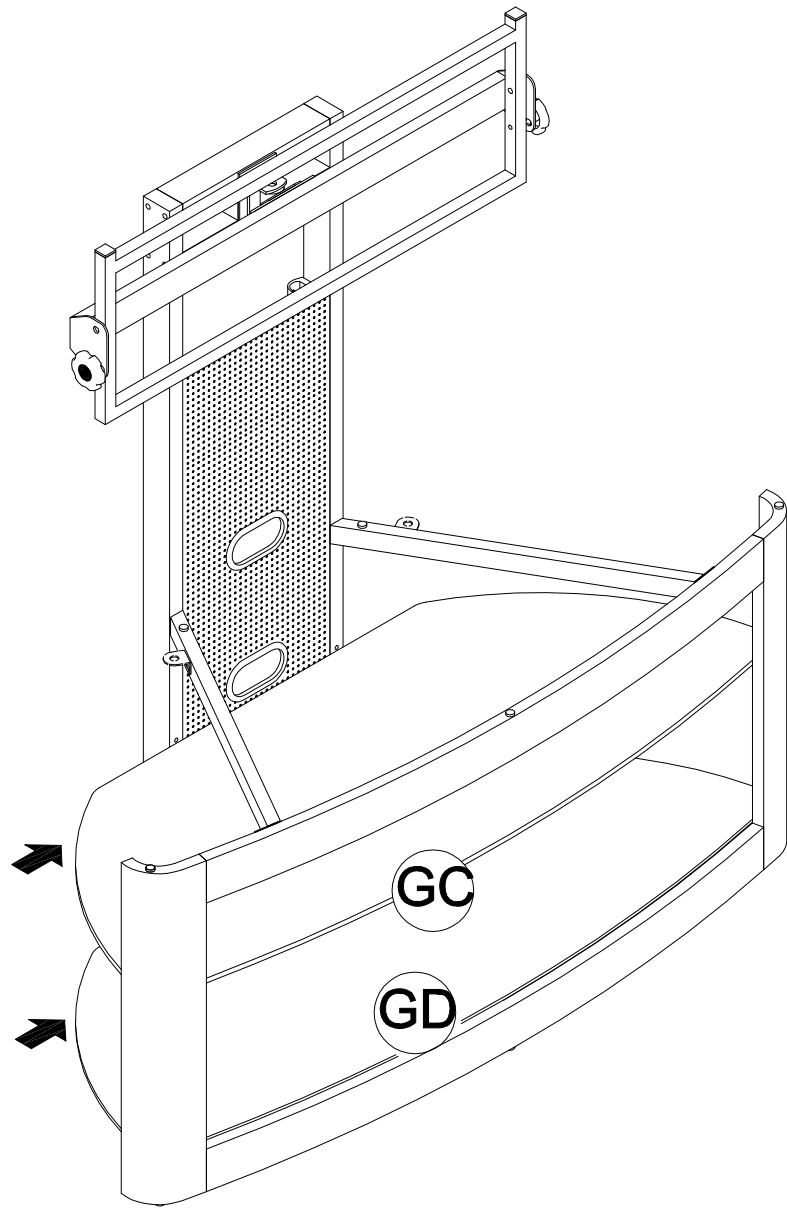
STEP 8

- Install Part M as shown;
- Affix the silicon (Part K) as shown;
- Install Part N as shown.



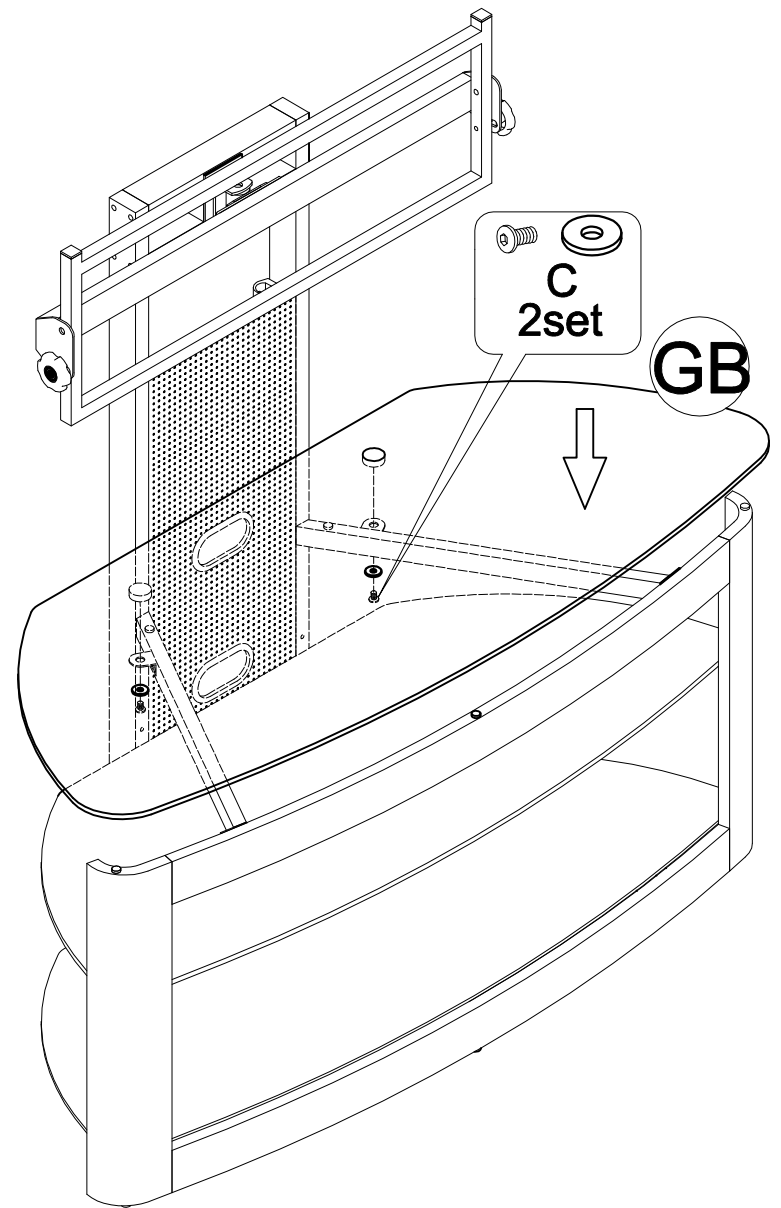
STEP 9

- Insert the bottom glass shelf as shown;
- Insert the middle glass shelf as shown.



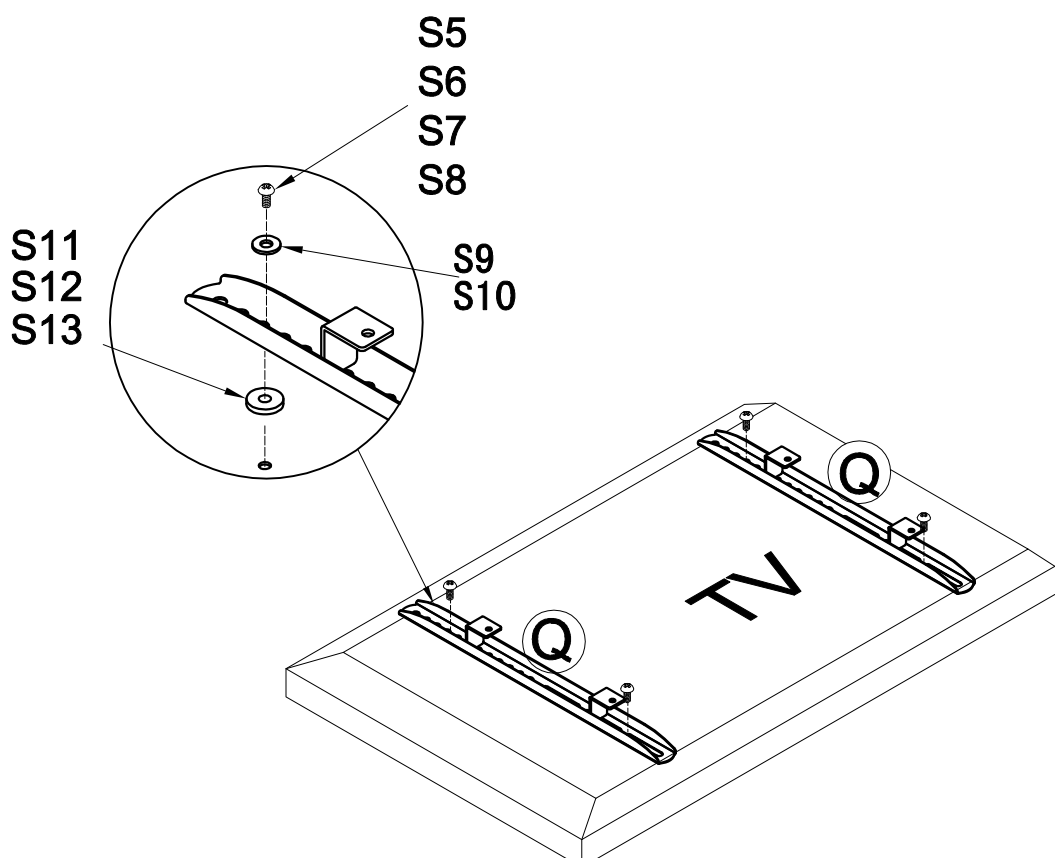
STEP 10

- Install the top glass shelf;
- Align the glass with wood frame, loosen the screws on the back panel for adjustment if necessary;



STEP 11

- Attach the TV mounting bracket to the TV;
- * Choose only one screw(S5-S8),one washer(S9-S10), and one spacer(S11-S13)that fit your TV. Keep all other parts for future use. Secure the mounting bracket on the back of the TV.



STEP 12

- Install the safety bolts to the top anchors.
- There is no bolt for lower anchors.

