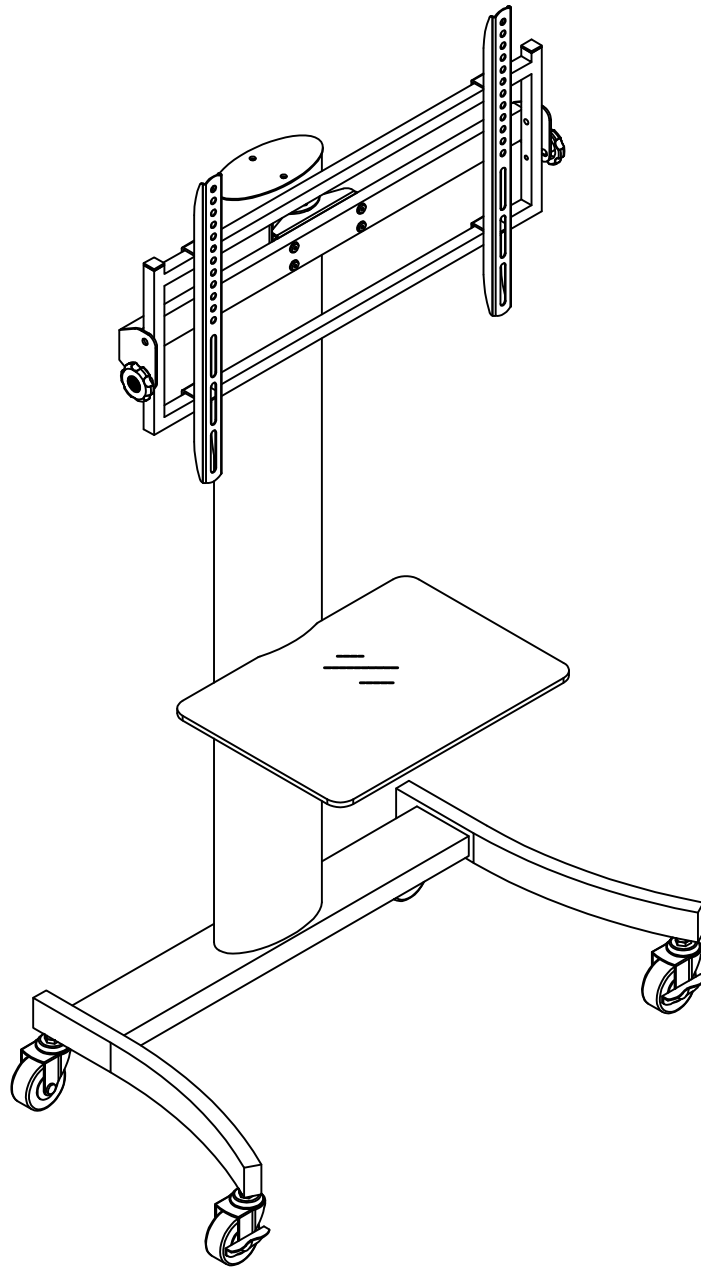


















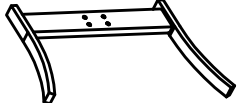
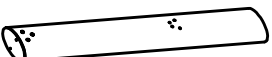
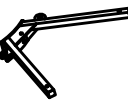




# TD593DB

If you have any missing parts or questions please email [info@transdecointl.com](mailto:info@transdecointl.com) or call 909-606-3833  
Mon - Fri 9 AM to 5 PM pacific time. Please have your product model number available.
















# TD593DB

## PART LIST

NO.	DESCRIPTION	QTY
A	 M6x8mm	2
B	 M6x15mm	4
C	 M6x32mm	4
D	 M6	2
E	 M6	2
F	 Ø22x2.0mm M8x72mm	4 set
G	 Ø22x2.0mm M8x102mm	3 set
H	 + 	5 set
I	 M4 +  M5 + 	1+1+1
J		2
K		2
L		1
M		1
N		1
O		1
P		1
Q		2
R	 T=8mm	1

## TV Mounting Hardware

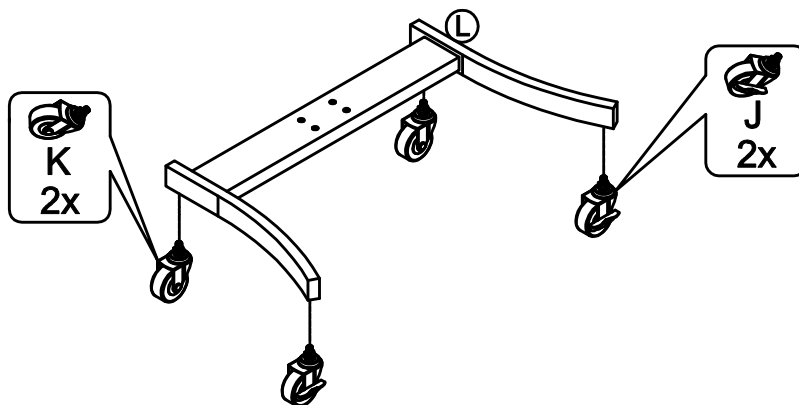
NO.	DESCRIPTION	QTY
S1	 M4x12mm	4
S2	 M5x12mm	4
S3	 M6x12mm	4
S4	 M8x12mm	4
S5	 M4x32mm	4
S6	 M5x32mm	4
S7	 M6x32mm	4
S8	 M8x32mm	4
S9	 Ø19xØ6.2	4
S10	 Ø22xØ8.2	4
S11	 Ø14x14mm	4
S12	 Ø25x13mm	4
S13	 Ø25x2mm	4

# TD593DB

## STEP 1

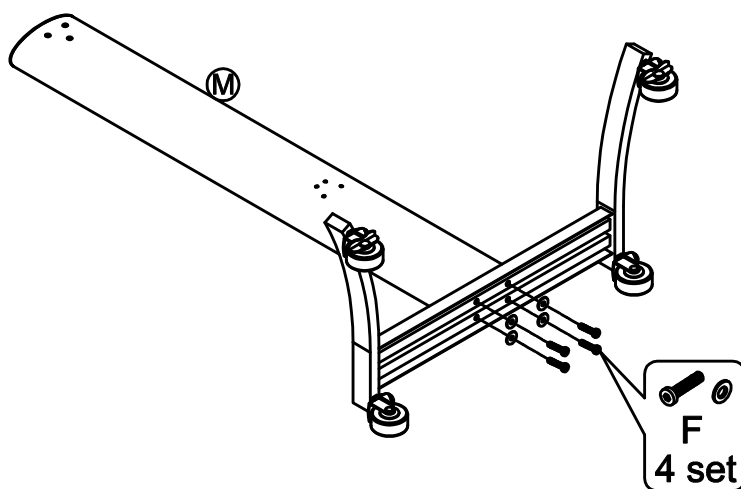
- Install casters to the base as shown

\* Casters with break (Part J) should be installed in the front



## STEP 2

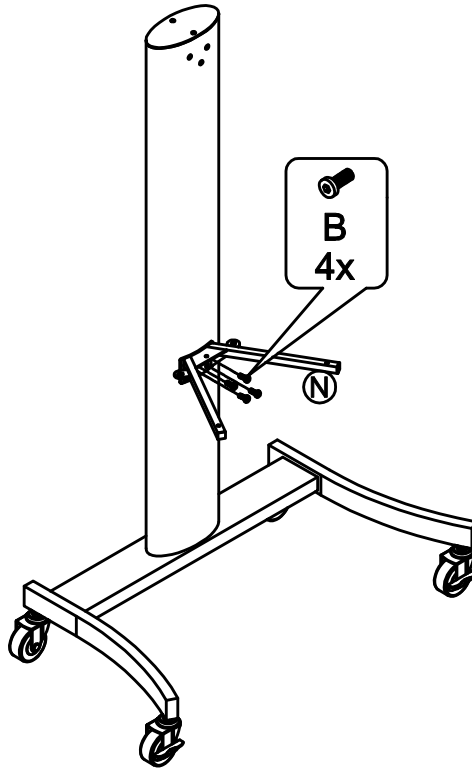
- Attach the pole to the base as shown



# TD593DB

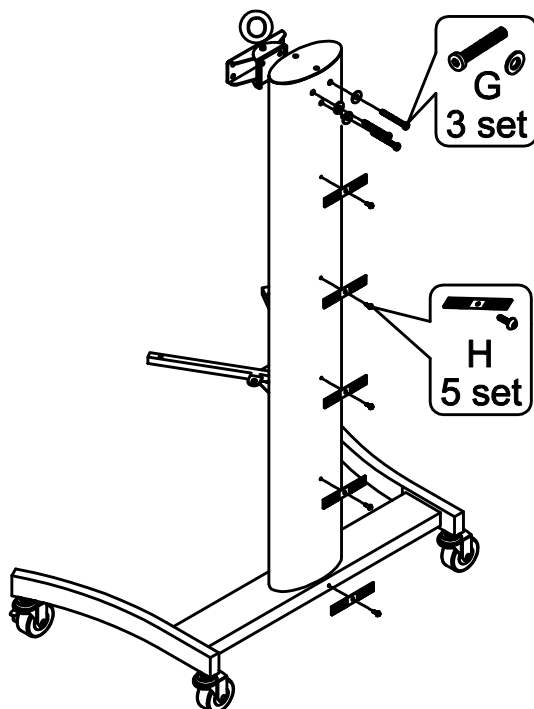
## STEP 3

-Attach the glass shelf support to the pole as shown



## STEP 4

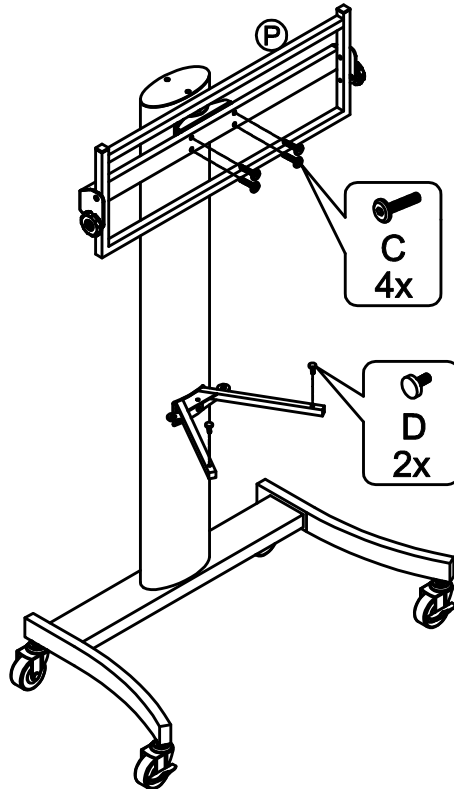
- Install the pivot device (Part O) as shown
- Install the cable management Velcro set as shown



# TD593DB

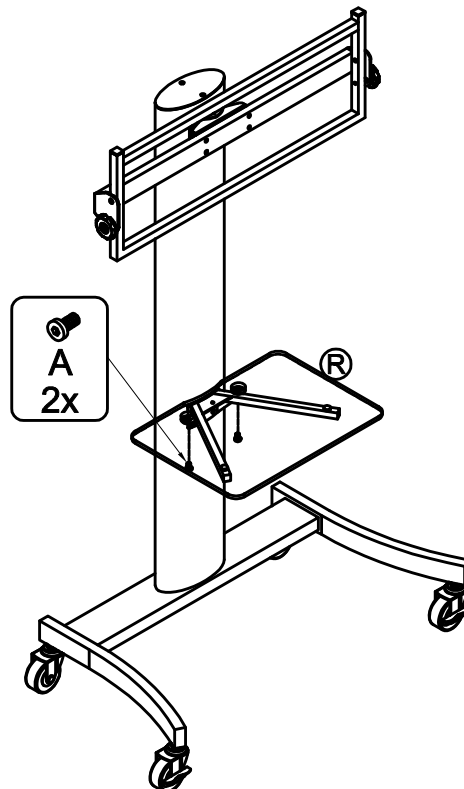
## STEP 5

- Attach the mounting bracket to the pivot device as shown
- Install the adjustable knobs (Part D) to the glass shelf support



## STEP 6

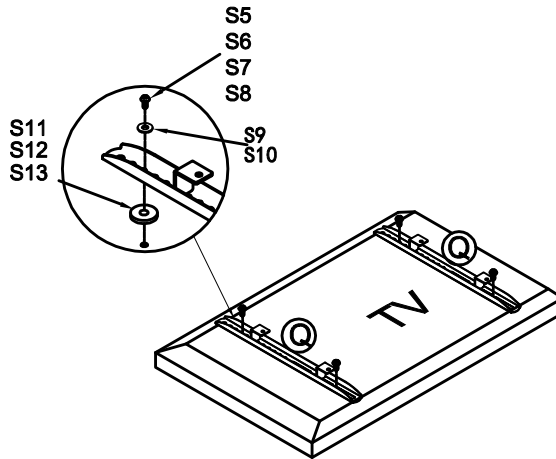
- Install the glass shelf as shown and make sure both knobs support the glass



# TD593DB

## STEP 7

- Install the mounting bracket on the TV (choose one of the screws that fits)



## STEP 8

- Install the knobs (Part E) to the top anchor of the bracket to secure the system as shown.
- \* The bottom anchor does not need a knob.

