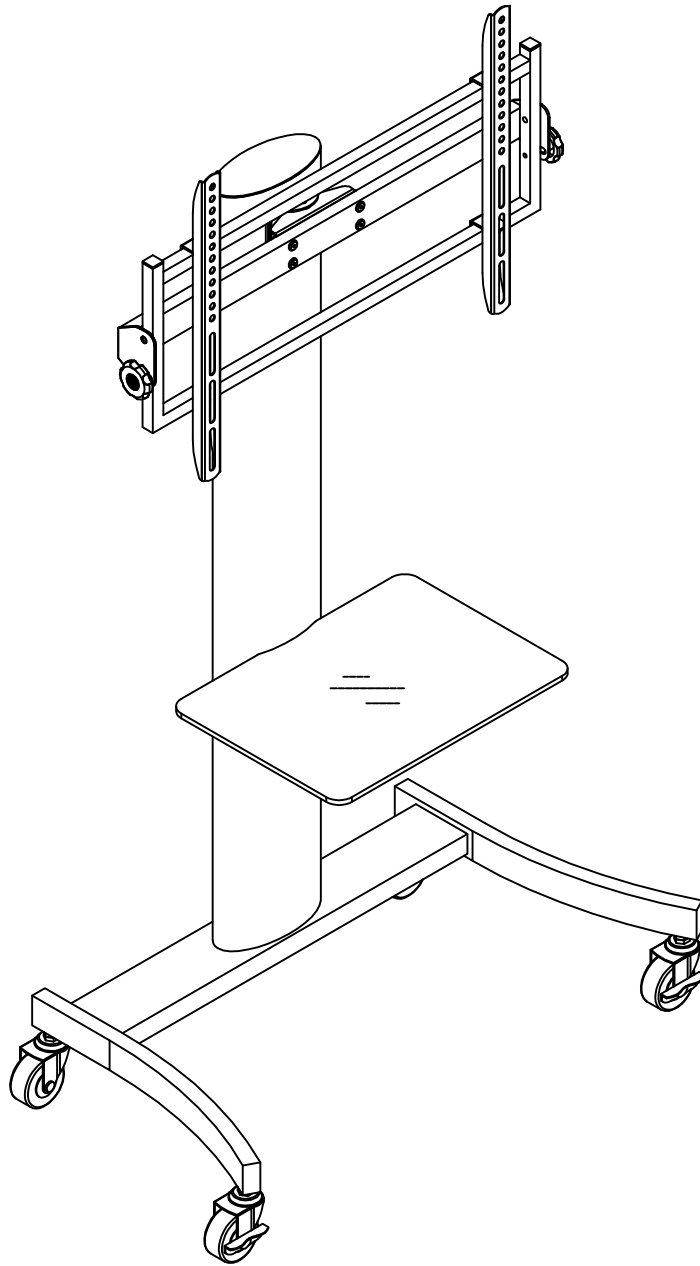









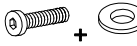
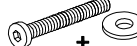







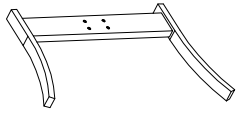

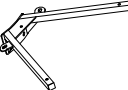
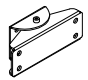


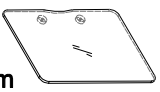
TD590B

If you have any missing parts or questions please email info@transdecointl.com or call 909-606-3833
Mon - Fri 9 AM to 5 PM pacific time. Please have your product model number available.











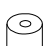




TD590B

PART LIST

| NO. | DESCRIPTION | QTY |
|-----|---|-------|
| A |  M6x8mm | 2 |
| B |  M6x12mm | 4 |
| C |  M6x32mm | 4 |
| D |  M6 | 2 |
| E |  M6 | 2 |
| F |  Ø22x2.0mm M8x70mm | 4 set |
| G |  Ø19x2.0mm M6x105mm | 4 set |
| H |  +  | 5 set |
| I |  M4 +  M5 +  | 1+1+1 |
| J |  | 2 |
| K |  | 2 |
| L |  | 1 |
| M |  | 1 |
| N |  | 1 |
| O |  | 1 |
| P |  | 1 |
| Q |  | 2 |
| R |  T=8mm | 1 |

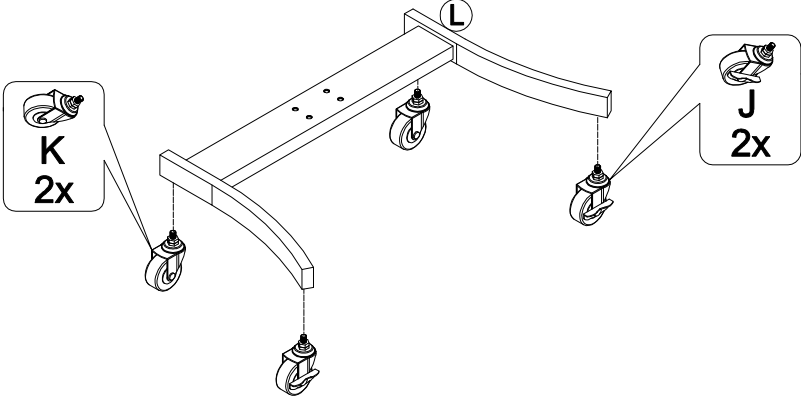
TV Mounting Hardware

| NO. | DESCRIPTION | QTY |
|-----|--|-----|
| S1 |  M4x12mm | 4 |
| S2 |  M5x12mm | 4 |
| S3 |  M6x12mm | 4 |
| S4 |  M8x12mm | 4 |
| S5 |  M4x32mm | 4 |
| S6 |  M5x32mm | 4 |
| S7 |  M6x32mm | 4 |
| S8 |  M8x32mm | 4 |
| S9 |  Ø19xØ6.2 | 4 |
| S10 |  Ø22xØ8.2 | 4 |
| S11 |  Ø14x14mm | 4 |
| S12 |  Ø25x13mm | 4 |
| S13 |  Ø25x2mm | 4 |

TD590B

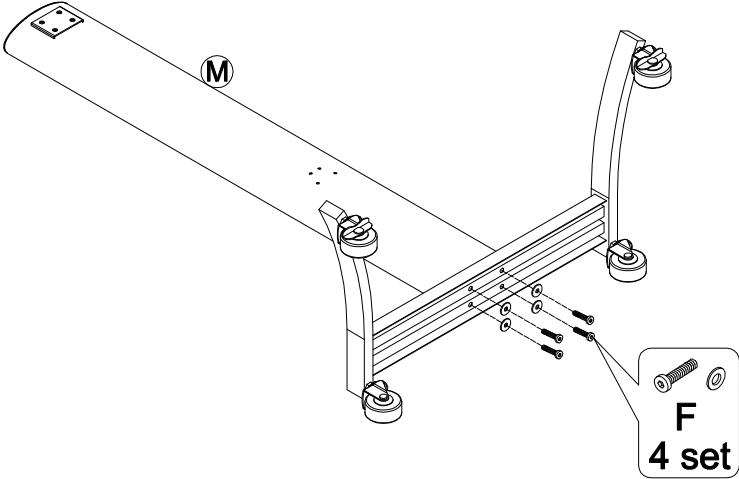
STEP 1

- Install casters to the base as shown
- * Casters with break (Part J) should be installed in the front



STEP 2

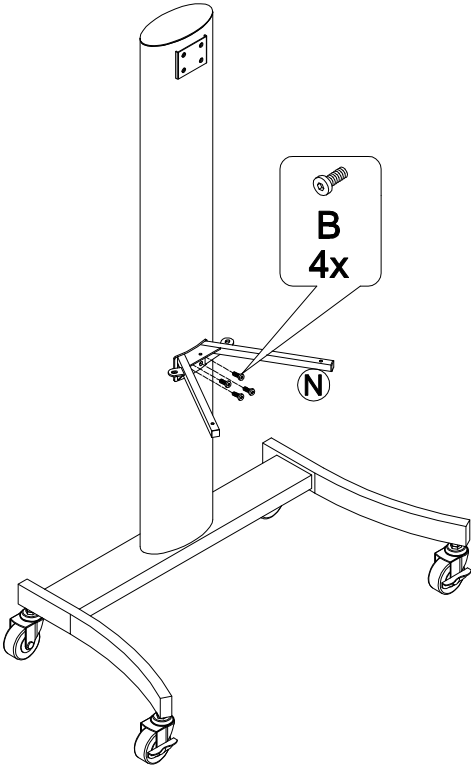
- Attach the pole to the base as shown



TD590B

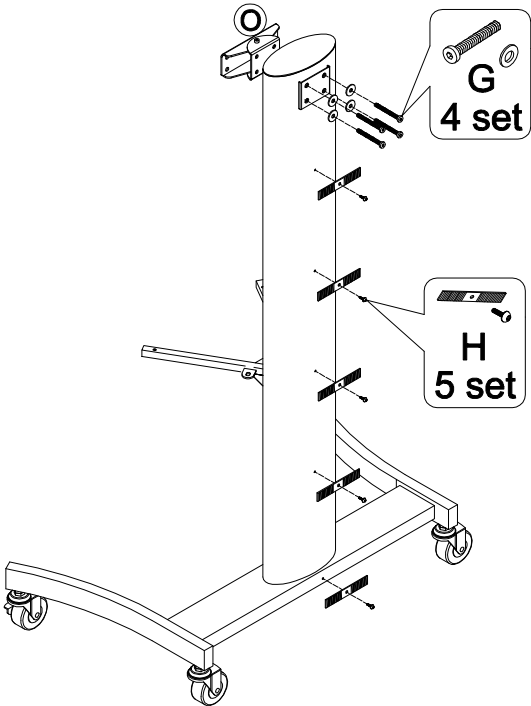
STEP 3

-Attach the glass shelf support to the pole as shown



STEP 4

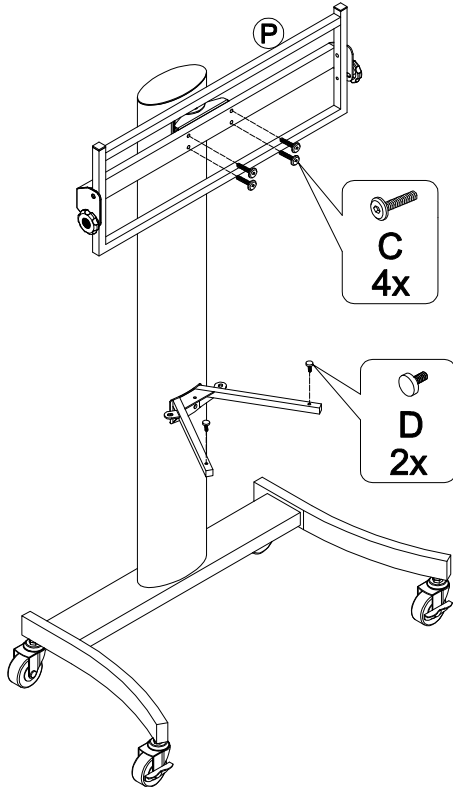
- Install the pivot device (Part O) as shown
- Install the cable management Velcro set as shown



TD590B

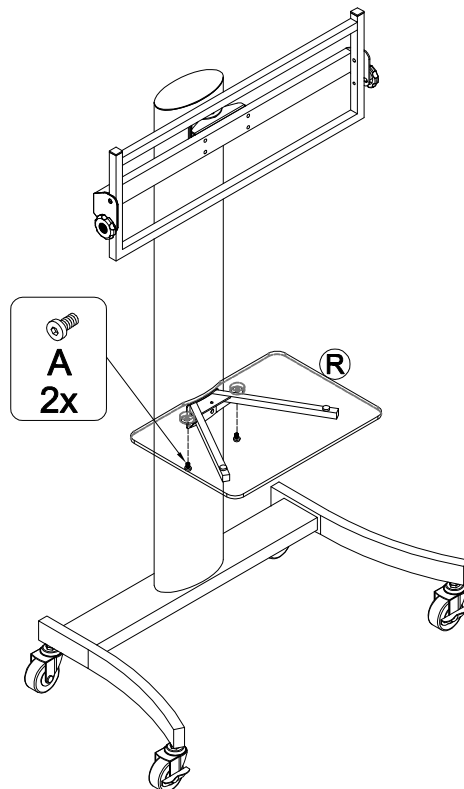
STEP 5

- Attach the mounting bracket to the pivot device as shown
- Install the adjustable knobs (Part D) to the glass shelf support



STEP 6

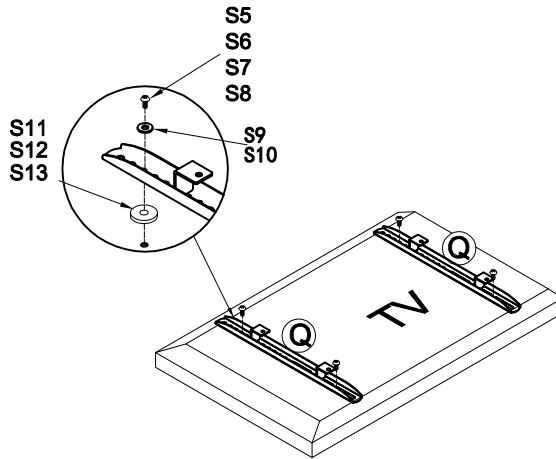
- Install the glass shelf as shown and make sure both knobs support the glass



TD590B

STEP 7

- Install the mounting bracket on the TV (choose one of the screws that fits)



STEP 8

- Install the knobs (Part E) to the top anchor of the bracket to secure the system as shown.

* The bottom anchor does not need a knob.

