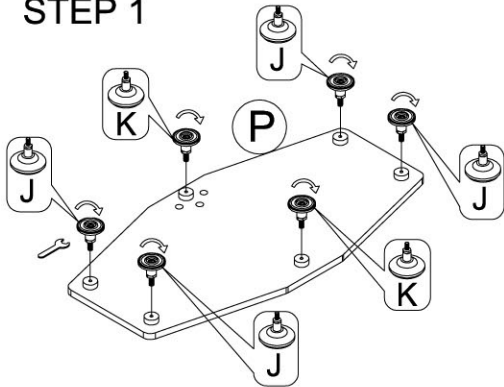
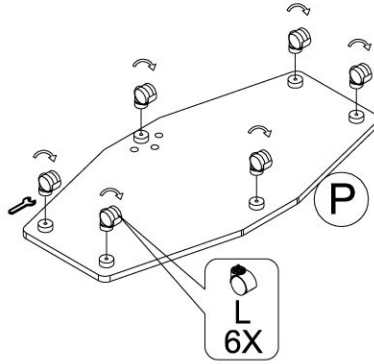


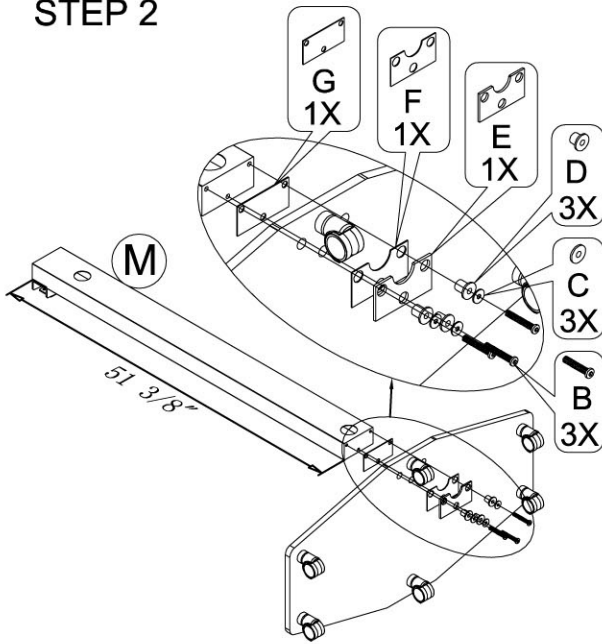
## STEP 1



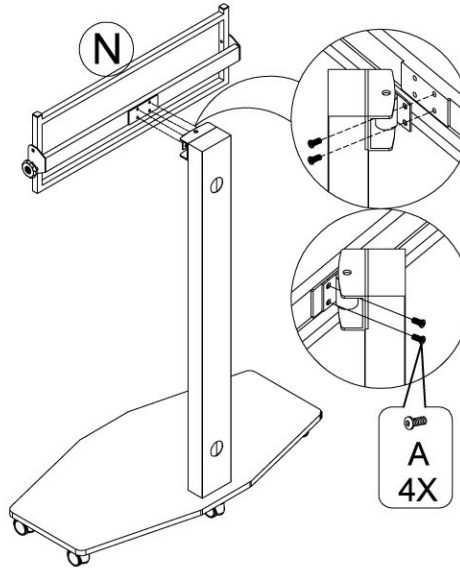
OR



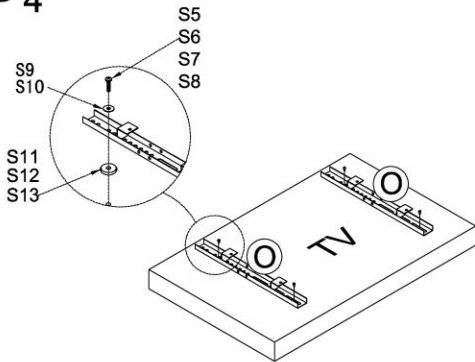
## STEP 2



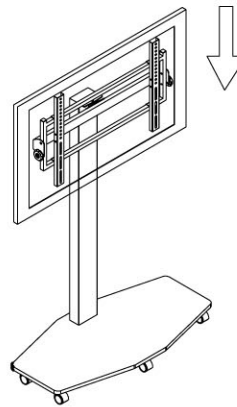
## STEP 3



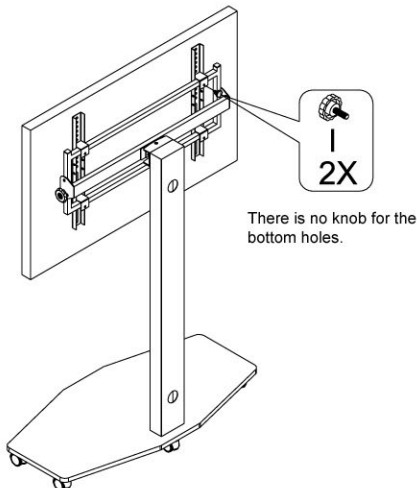
## STEP 4



## STEP 5

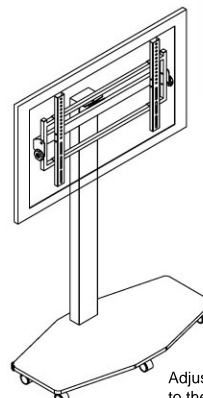







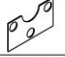
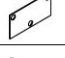









## STEP 6




## STEP 7

(Optional)



NO.	DESCRIPTION	Q'TY
A	 M6x15mm	4
B	 M8x50mm	3
C	 Ø25/Ø8.2x2.0	3
D	 Ø30*22	3
E	 Metal Plate	1
F	 Plastic Spacer	1
G	 Plastic Spacer	1
H	 M4 + M5 + M14	1set
I	 Ø23xM6x18mm	2
J	 Ø58xM8	4
K	 Ø58xM8	2
L	 Ø58xM8	6
M	 51 3/8"	1
N		1
O		2
P		1

NO.	DESCRIPTION	Q'TY
S1	 M4x12mm	4
S2	 M5x12mm	4
S3	 M6x12mm	4
S4	 M8x15mm	4
S5	 M4x32mm	4
S6	 M5x32mm	4
S7	 M6x32mm	4
S8	 M8x32mm	4
S9	 Ø19xØ6.2mm	4
S10	 Ø22xØ8.2mm	4
S11	 Ø14x14mm	4
S12	 Ø25x13mm	4
S13	 Ø25x2mm	4