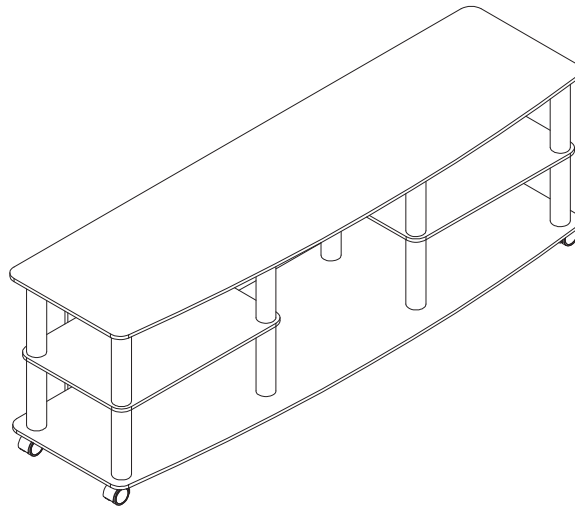






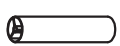




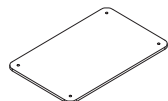
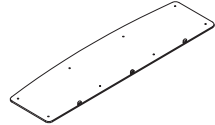
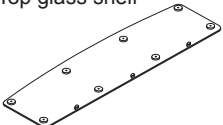


TD208B

If you have any missing parts or questions please email info@transdecointl.com or call 909-606-3833
 Mon - Fri 9 AM to 5 PM pacific time. Please have your product model number available.



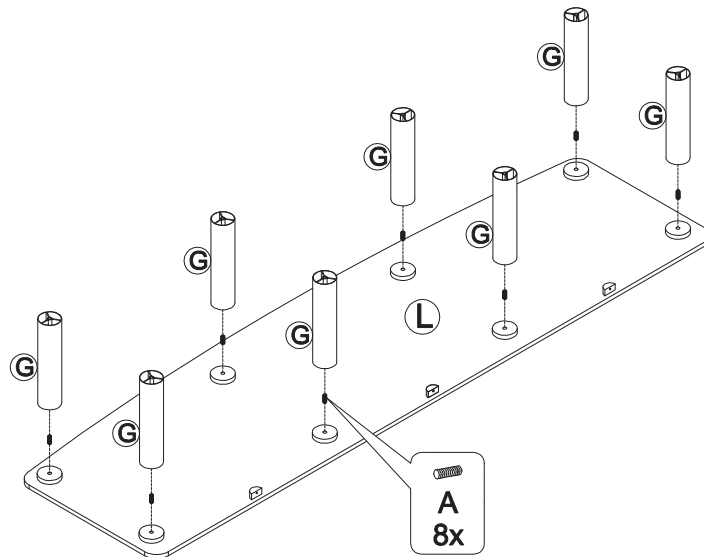
NO.	DESCRIPTION	QTY
A	Double end studs M8x20mm 	8
B	Double end studs M8x40mm 	8
C	Screw M4x6mm 	6
D	Washer 	8set
E	Caster 	8
F	Wrench 	1
G	Pole 	16
H	Side back panel 	2

NO.	DESCRIPTION	QTY
I	Center back panel 	1
J	Middle glass shelf 	2
K	Bottom glass shelf 	1
L	Top glass shelf 	1

STEP 1

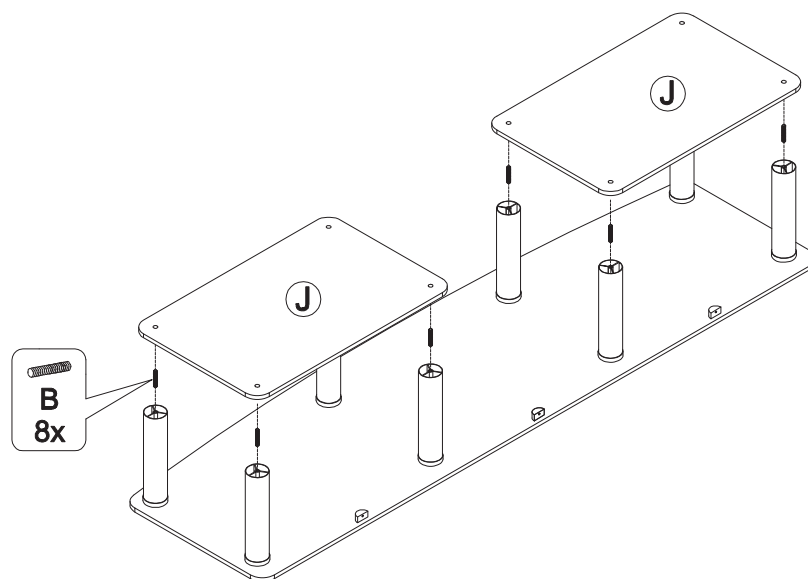
* Set the top glass shelf with metal bracket facing up on carpet or a soft surface;
Do not assemble the unit on a hard surface such as concrete floor that will damage the glass.

- Install the double end studs (Part A) into the metal brackets;
- Install the pole (Part G) as shown. Do not tighten the poles until step 2 completed.



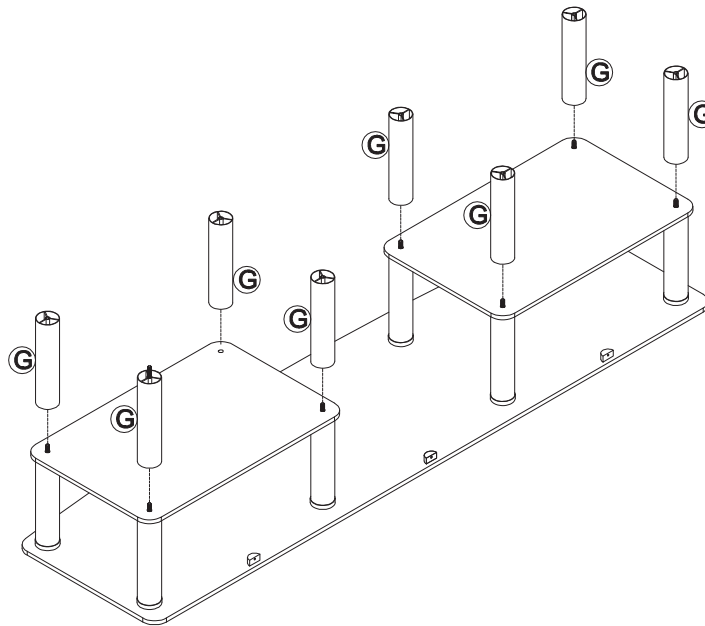
STEP 2

- Install the double end studs (Part B) into the poles halfway;
- Insert the middle glass shelf into the studs as shown. If it's hard to insert the glass, loosen the poles;
- Align the glass shelves;
- Tighten all the poles.



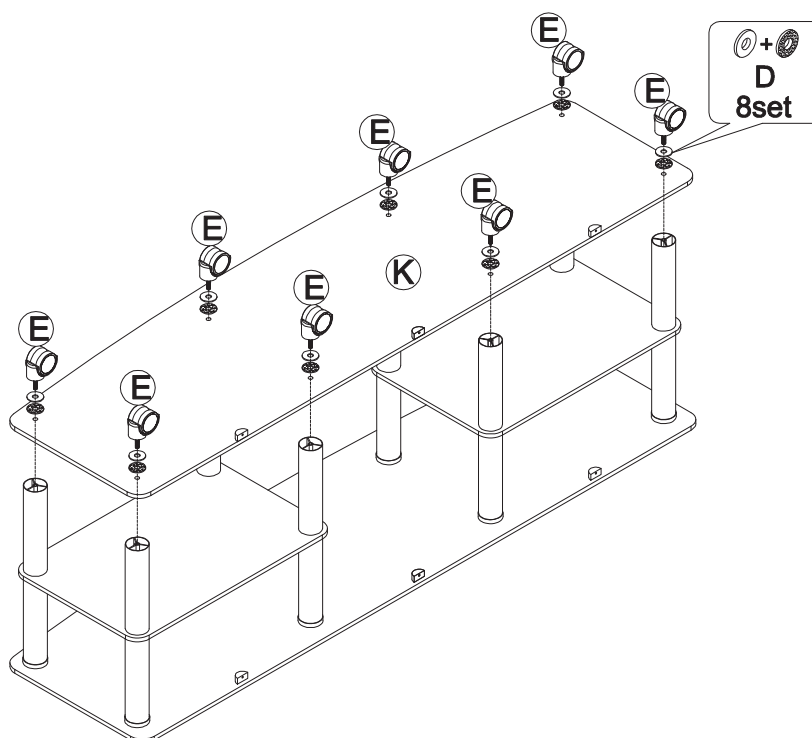
STEP 3

- Install the poles (Part G) as shown. Do not tighten the poles until the bottom glass shelf and the casters installed.



STEP 4

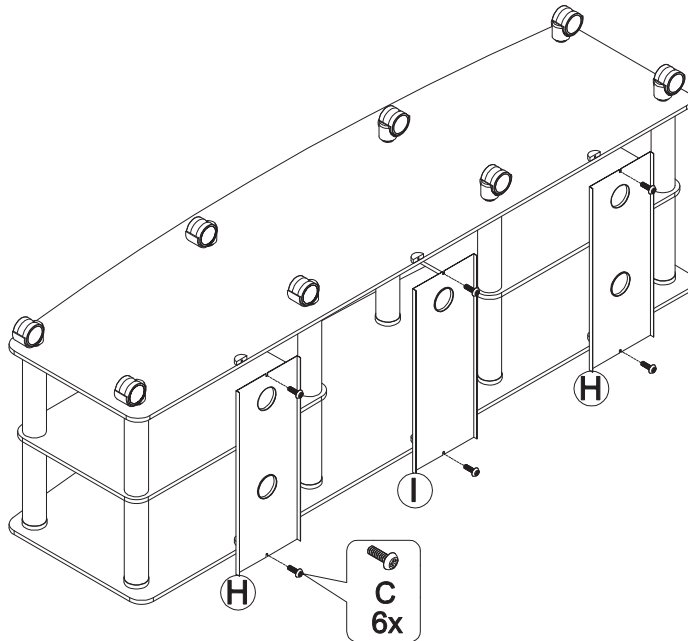
- Place the bottom glass shelf on the poles with the metal bracket facing up;
- Align the screw holes with the poles; If it's hard to get alignment, loosen the pole a bit;
- Set the washer on the glass with the plastic washer against the glass as shown;
- Install the casters. Do not tighten any one caster until all the casters are in place.
- Align the glass shelf, and tighten all the casters with the wrench provided.



STEP 5

- Install the cable management panel as shown.

* If you found the panels are not fitting the metal brackets that means the bottom glass is installed upside down. Flip the bottom glass shelf and install it again.



STEP 6

- Carefully turn over the unit to upright position.

