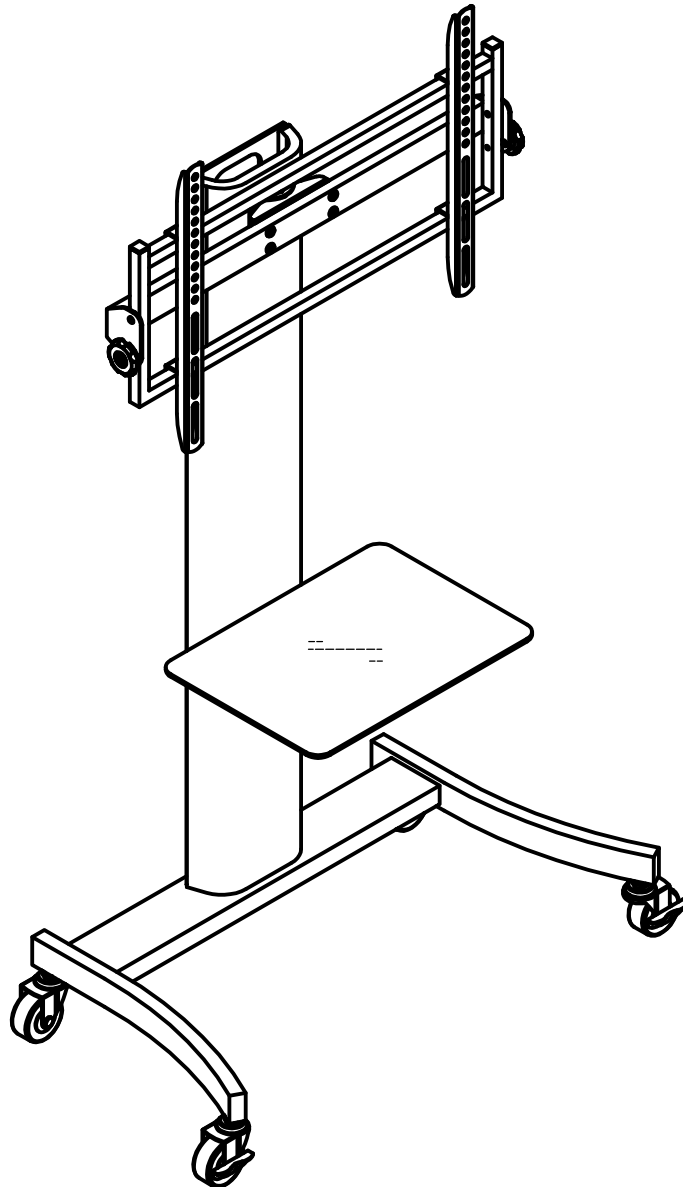










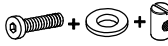








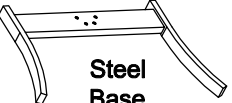


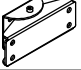


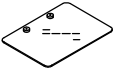
## TD595 WB/GB

If you have any missing parts or questions please email [info@transdecointl.com](mailto:info@transdecointl.com) or call 909-606-3833  
Mon - Fri 9 AM to 5 PM pacific time. Please have your product model number available.
















# TD595 WB/GB

## PART LIST

NO.	DESCRIPTION	QTY
A	 M6x8mm	2
B	 M6x18mm	4
C	 M6x32mm	4
D	 M6	2
E	 M6	2
F	 Ø22x2.0mm M8x51mm	2 set
	 Ø22x2.0mm M8x90mm	2 set
G	 Ø22x2.0mm M8x30mm	3 set
H	 + 	1 set
I	 M4 +  M5 + 	1+1+1
J	 Caster with Break	2
K	 Caster	2
L	 Steel Base	1
M	 Main Pole	1
N	 Glass Shelf Support	1
O	 Pivot Device	1
P		1
Q		2
R	 T=5mm	1

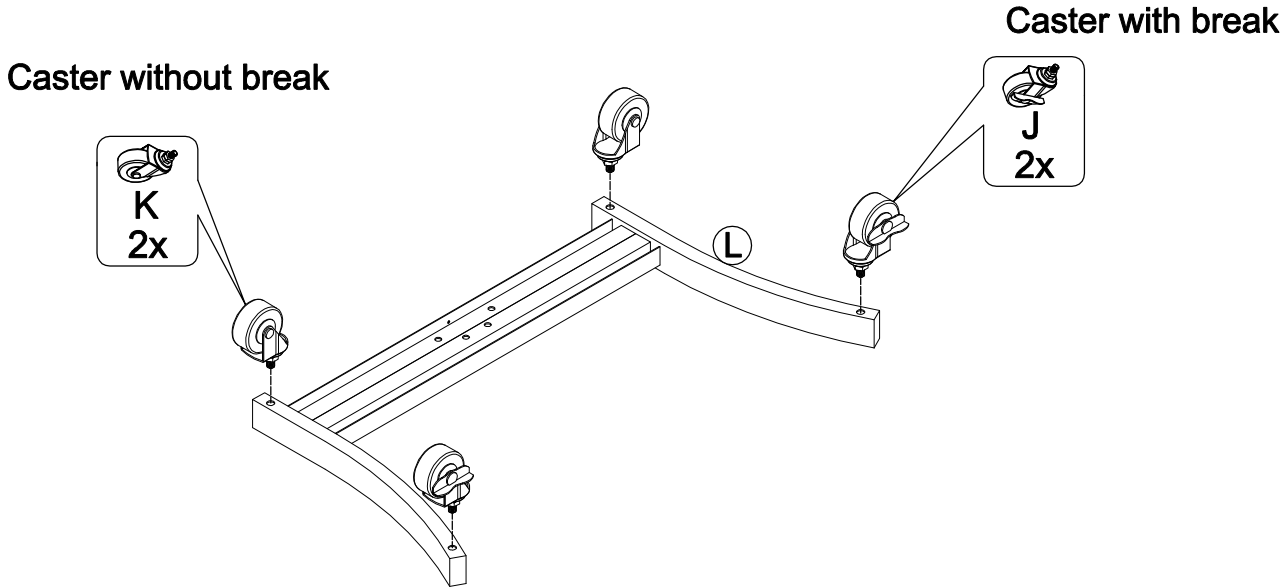
## TV Mounting Hardware

NO.	DESCRIPTION	QTY
S1	 M4x12mm	4
S2	 M5x12mm	4
S3	 M6x12mm	4
S4	 M8x15mm	4
S5	 M4x32mm	4
S6	 M5x32mm	4
S7	 M6x32mm	4
S8	 M8x32mm	4
S9	 Ø19xØ6.2	4
S10	 Ø22xØ8.2	4
S11	 Ø14x14mm	4
S12	 Ø25x13mm	4
S13	 Ø25x2mm	4

# TD595 WB/GB

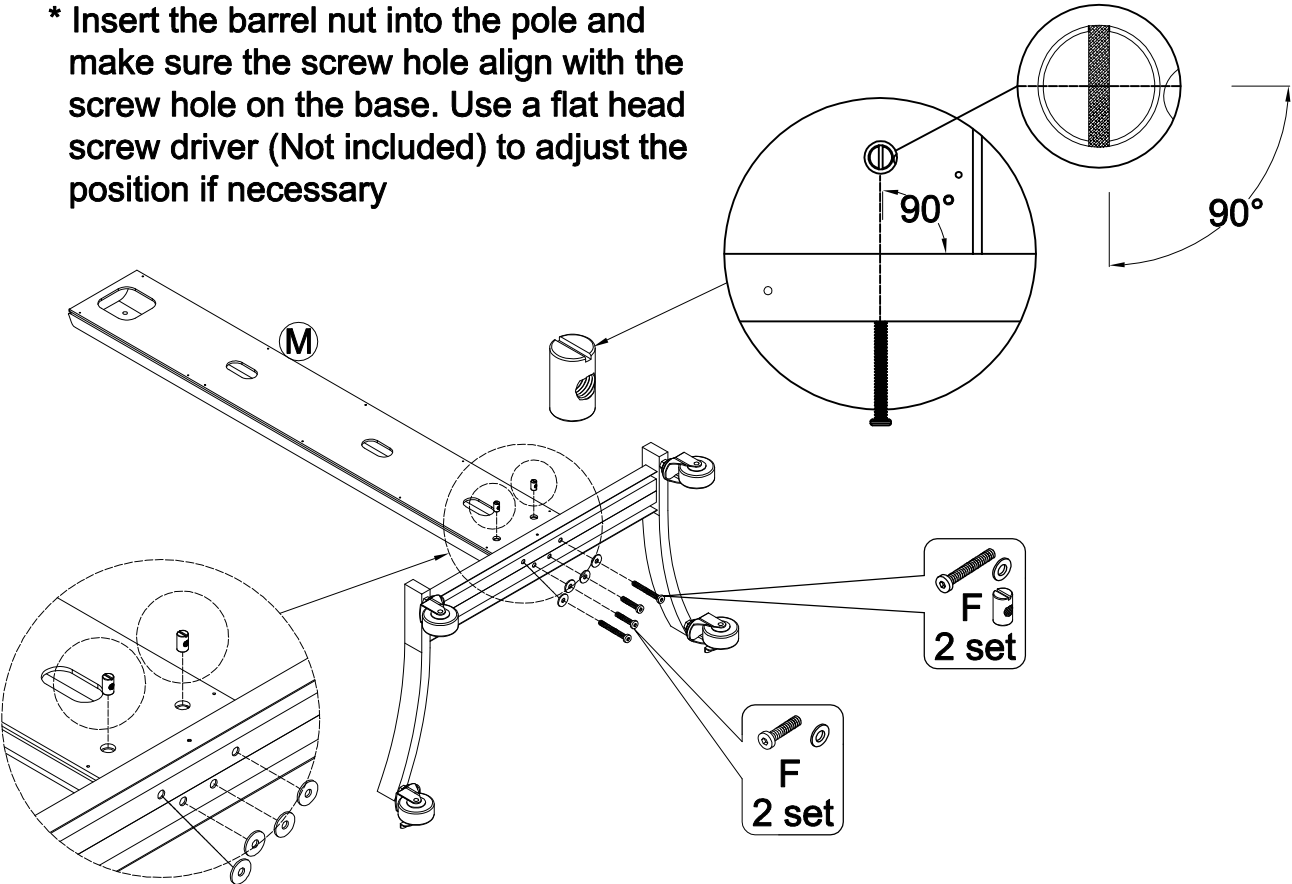
## STEP 1

- Install casters to the base as shown
- \* Casters with break (Part J) should be installed in the front



## STEP 2

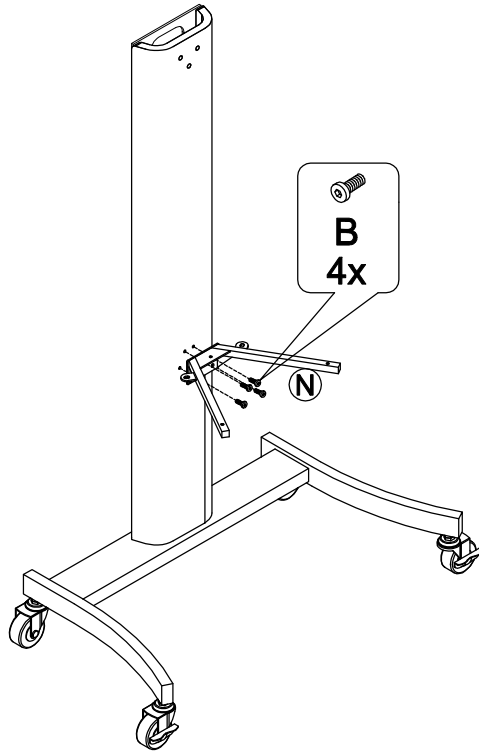
- Attach the pole to the base as shown
- \* Insert the barrel nut into the pole and make sure the screw hole align with the screw hole on the base. Use a flat head screw driver (Not included) to adjust the position if necessary



# TD595 WB/GB

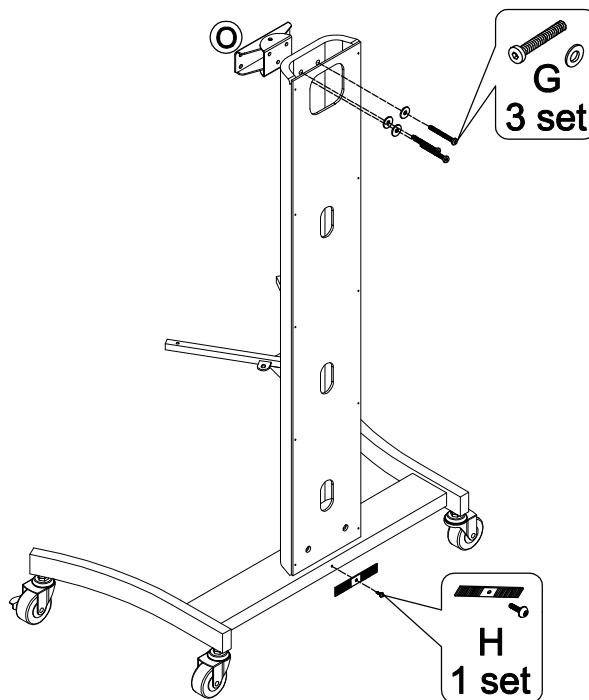
## STEP 3

-Attach the glass shelf support to the pole as shown



## STEP 4

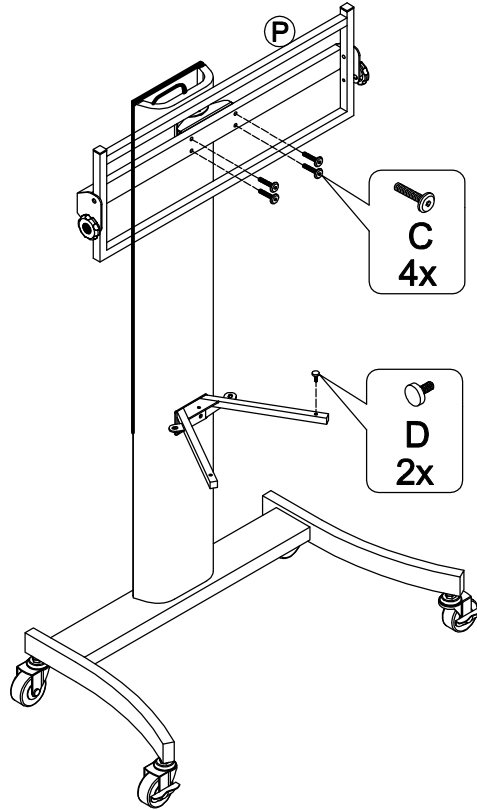
- Install the pivot device (Part O) as shown
- Install the cable management Velcro set as shown



# TD595 WB/GB

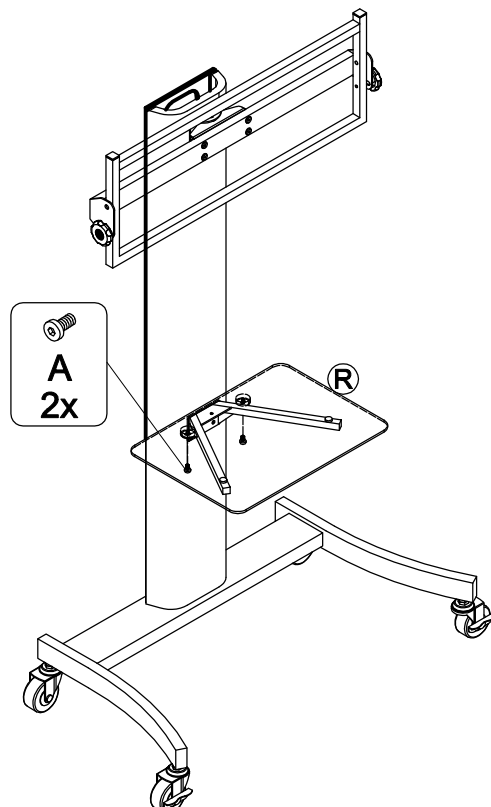
## STEP 5

- Attach the mounting bracket to the pivot device as shown
- Balance the mounting bracket
- Install the adjustable knobs (Part D) to the glass shelf support



## STEP 6

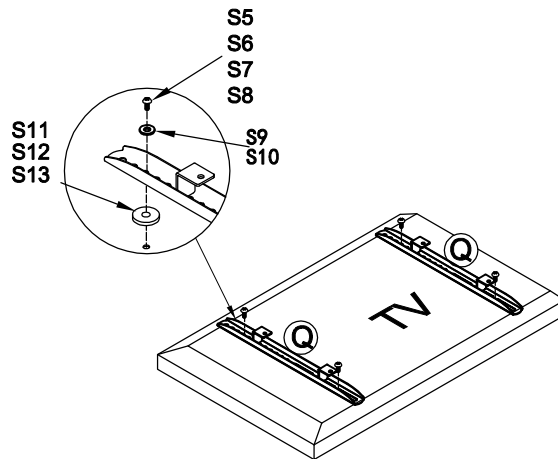
- Install the glass shelf as shown and make sure both knobs support the glass



# TD595 WB/GB

## STEP 7

- Install the mounting bracket on the TV (choose one of the screws that fits)



## STEP 8

- Install the knobs (Part E) to the top anchor of the bracket to secure the system as shown.

\* The bottom anchor does not need a knob.

