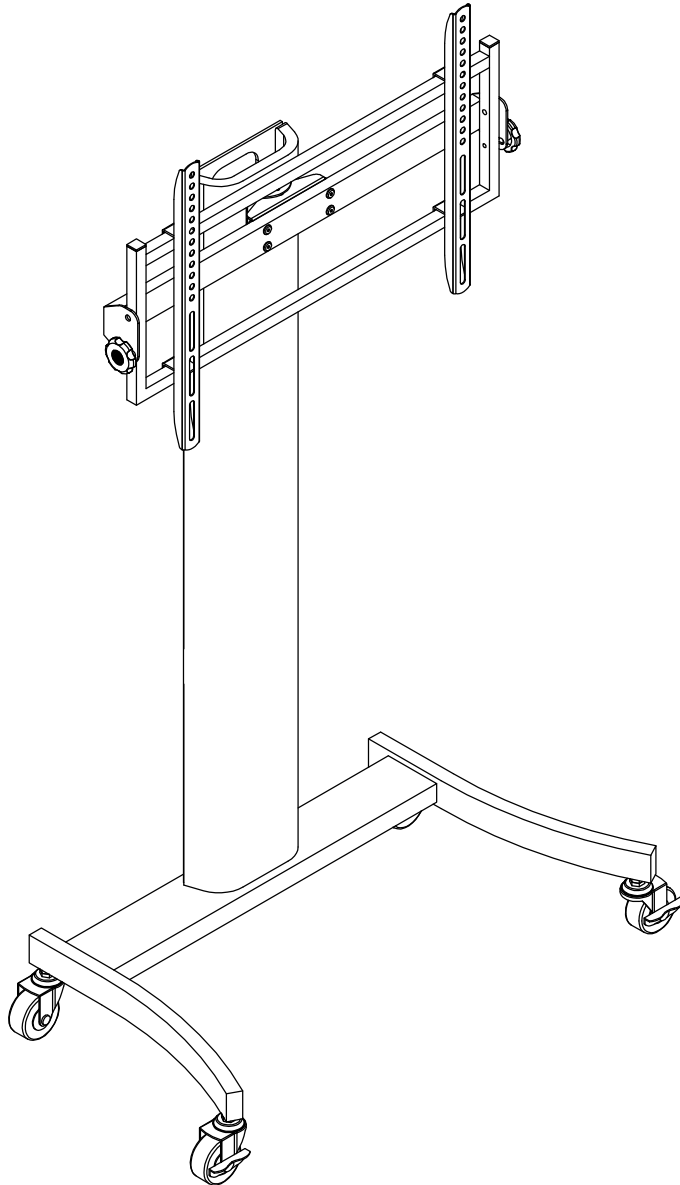






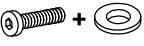







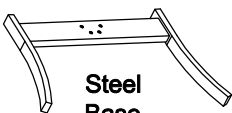
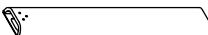
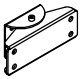


TD581B

If you have any missing parts or questions please email info@transdecointl.com or call 909-606-3833
Mon - Fri 9 AM to 5 PM pacific time. Please have your product model number available.
















TD581B

PART LIST

NO.	DESCRIPTION	QTY
A	 M6x32mm	4
B	 M6	2
C	 Ø22x2.0mm M8x51mm	2 set
D	 Ø22x2.0mm M8x90mm	2 set
E	 Ø22x2.0mm M8x30mm	3 set
F		1 set
G	 M4 + M5 + 	1+1+1
H	 Caster with Break	2
I	 Caster	2
J	 Steel Base	1
K	 Main Pole	1
L	 Pivot Device	1
M		1
N		2

TV Mounting Hardware

NO.	DESCRIPTION	QTY
S1	 M4x12mm	4
S2	 M5x12mm	4
S3	 M6x12mm	4
S4	 M8x15mm	4
S5	 M4x32mm	4
S6	 M5x32mm	4
S7	 M6x32mm	4
S8	 M8x32mm	4
S9	 Ø19xØ6.2	4
S10	 Ø22xØ8.2	4
S11	 Ø14x14mm	4
S12	 Ø25x13mm	4
S13	 Ø25x2mm	4

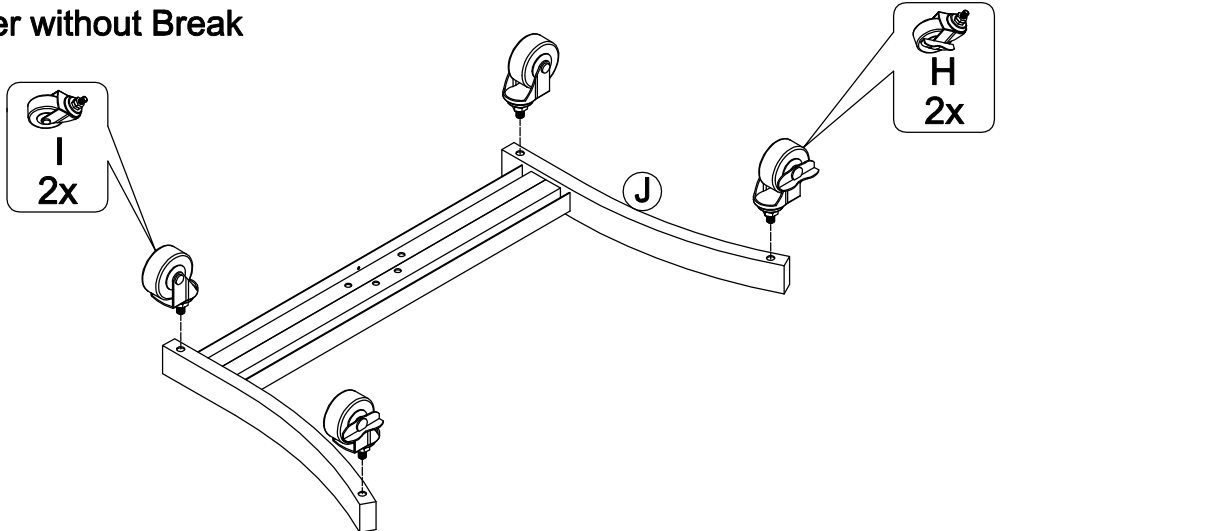
TD581B

STEP 1

- Install casters to the base as shown

* Casters with break (Part H) should be installed in the front

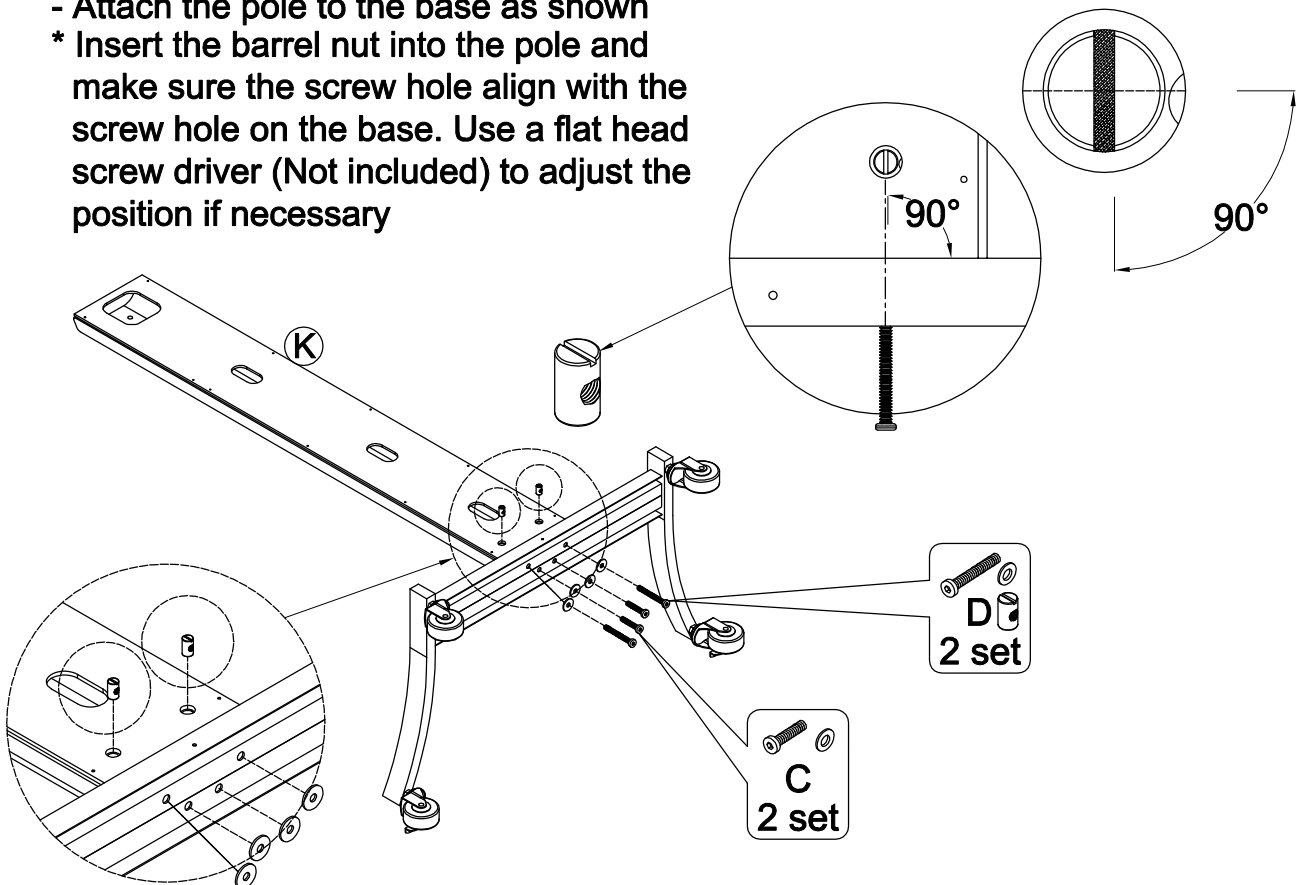
Caster without Break



STEP 2

- Attach the pole to the base as shown

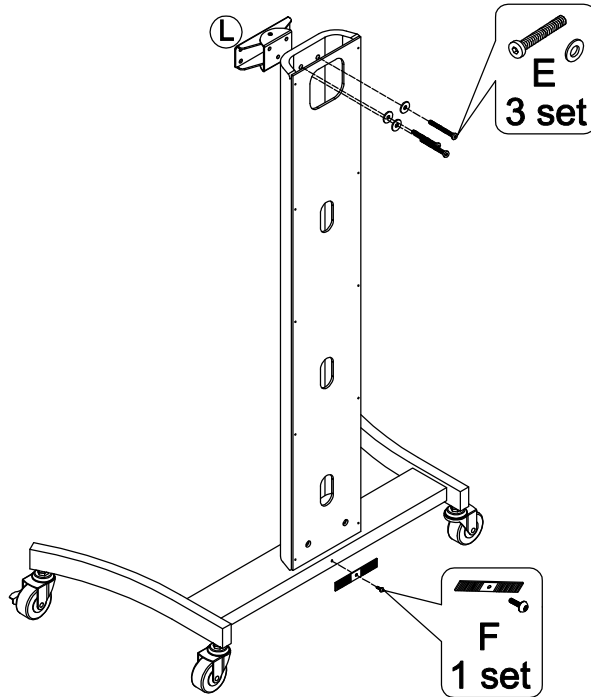
* Insert the barrel nut into the pole and make sure the screw hole align with the screw hole on the base. Use a flat head screw driver (Not included) to adjust the position if necessary



TD581B

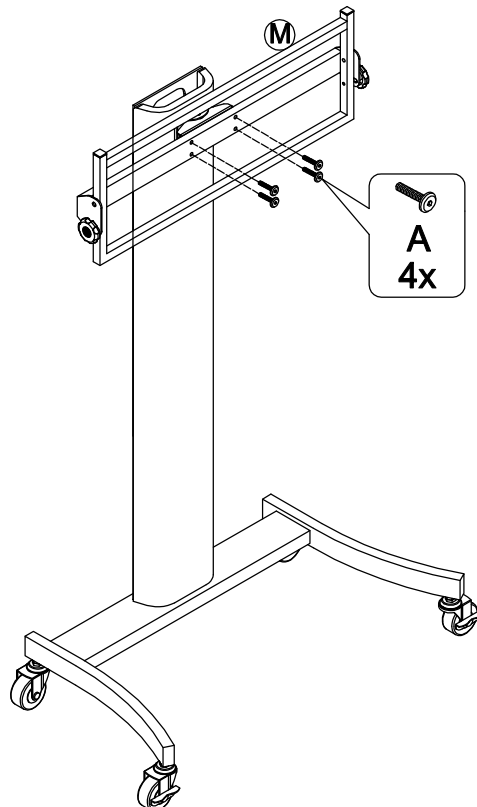
STEP 3

- Install the pivot device (Part L) as shown
- Install the cable management Velcro set as shown



STEP 4

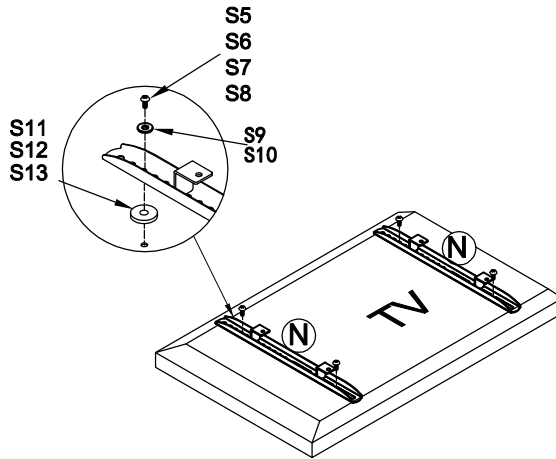
- Attach the mounting bracket to the pivot device as shown
- Balance the mounting bracket



TD581B

STEP 5

- Install the mounting bracket on the TV (choose one of the screws that fits)



STEP 6

- Install the knobs (Part B) to the top anchor of the bracket to secure the system as shown.

* The bottom anchor does not need a knob.

