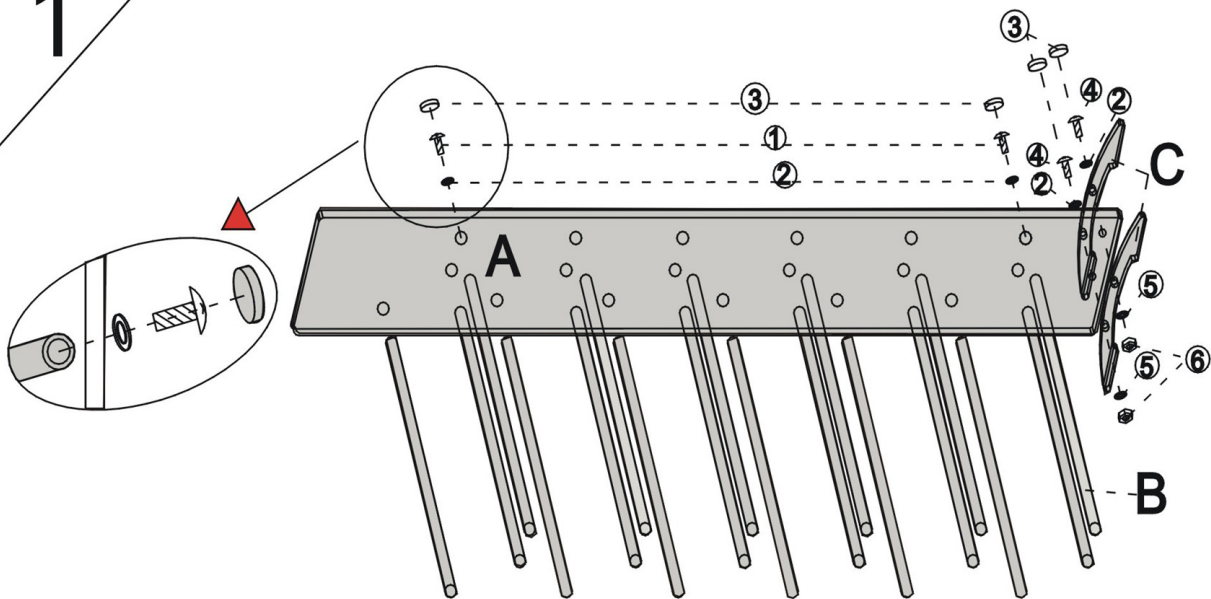


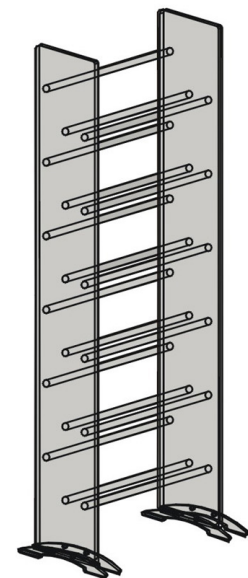
# Assembly Instructions

Model: TD319B

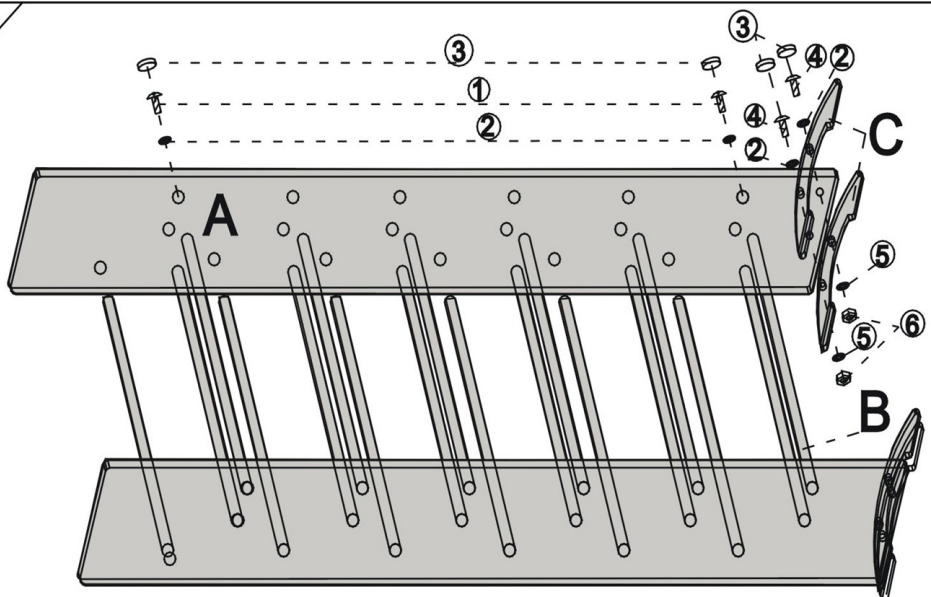
1



3



2



1	2	3	4	5	6
36*	40*	40*	4*	4*	4*

A
2*1400X190x8

B	C
18*φ18x580	4*

If you have any missing parts, please send an email to [info@transdecointl.com](mailto:info@transdecointl.com) or call 909-606-3833 Mon-Fri: 9:00AM to 5:00PM Pacific Time. Please have your product model number available.