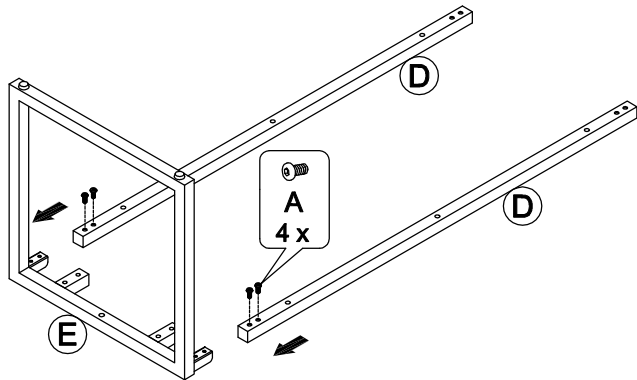




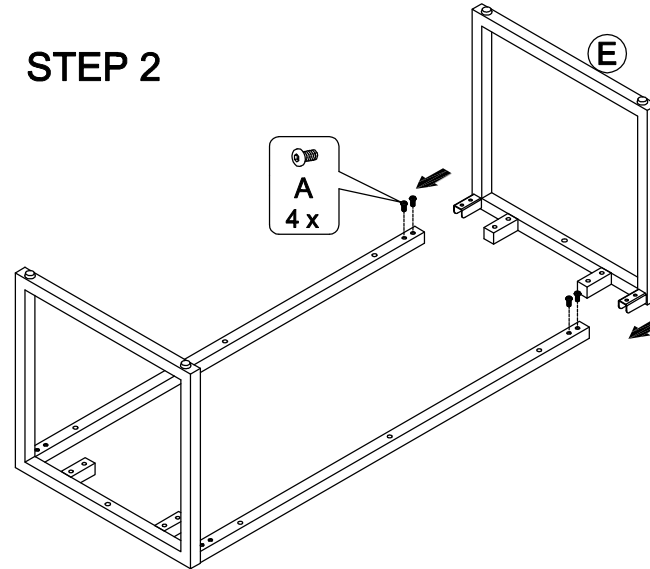
# TD125DW

If you have any missing parts or questions please email [info@transdecointl.com](mailto:info@transdecointl.com) or call 909-606-3833  
 Mon - Fri 9 AM to 5 PM pacific time. Please have your product model number available.

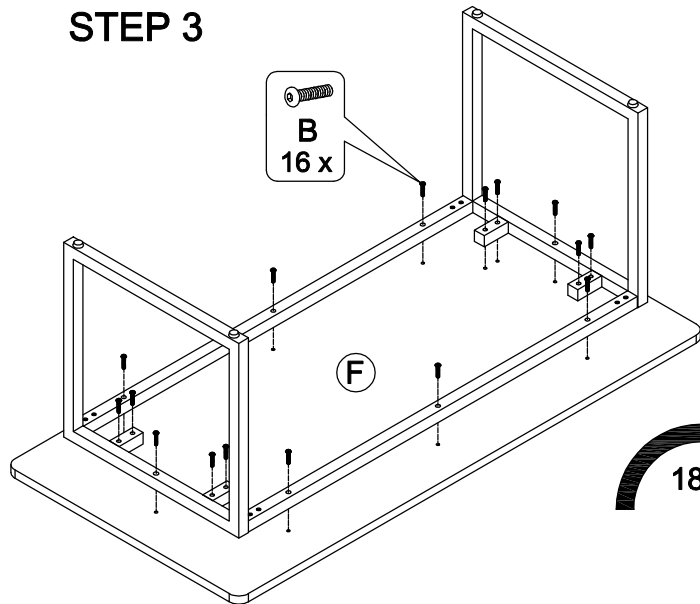
**STEP 1**



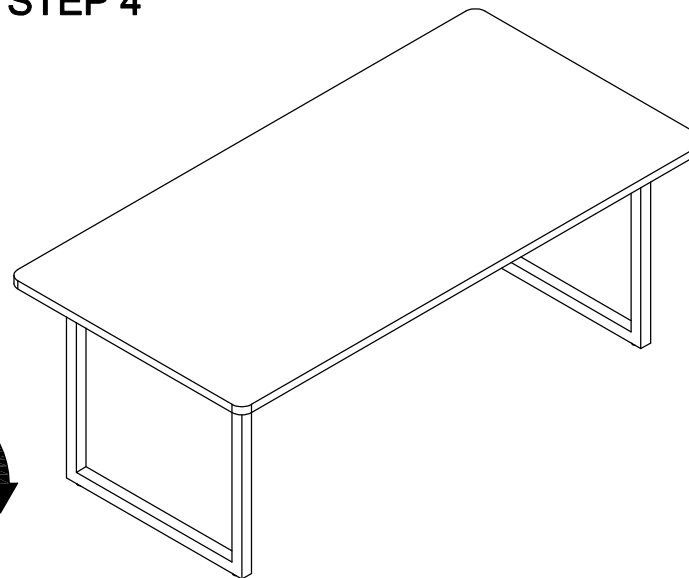
**STEP 2**




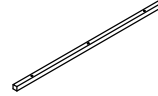
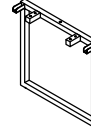
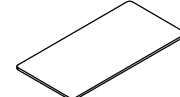


**STEP 3**



**STEP 4**



NO.	DESCRIPTION	QTY
A	M6x12mm 	8
B	M6x35mm 	16
C	M4 	1
D		2
E		2
F		1