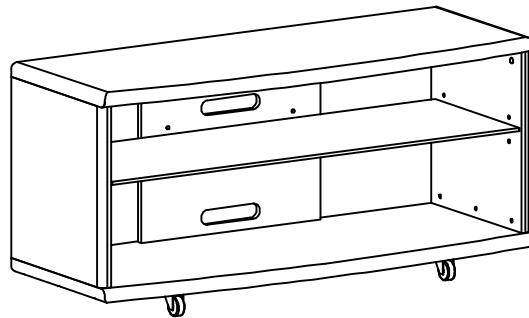

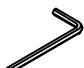


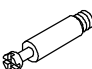






## Assembly Instructions

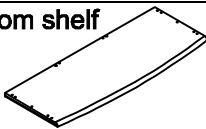
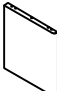


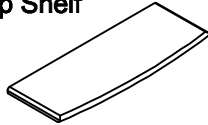

If you have any missing part or question please send email to [info@transdecointl.com](mailto:info@transdecointl.com) or call 1-909-606-3833 for assistance. Please have your product model number ready.



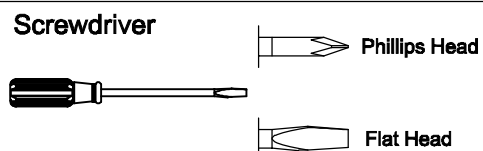
### Hardware

NO.	DESCRIPTION	QTY
A	65 mm Screw M6*65mm 	6
B	Hex Key M4*55mm 	1
C	Barrel Nut M6*12mm 	6
D	Cam Lock Ø15*12mm 	10
E	Bolt M6*40mm 	10
F	Wood Dowel Ø8*30mm 	12
G	Screw 4*30mm 	16
H	Caster 	4
I	Metal Pin 	6

### Parts

NO.	DESCRIPTION	QTY
1	Bottom shelf 	1
2	Left Side 	1
3	Right Side 	1
4	Back Panel 	1
5	Top Shelf 	1
6	Glass Shelf 	1

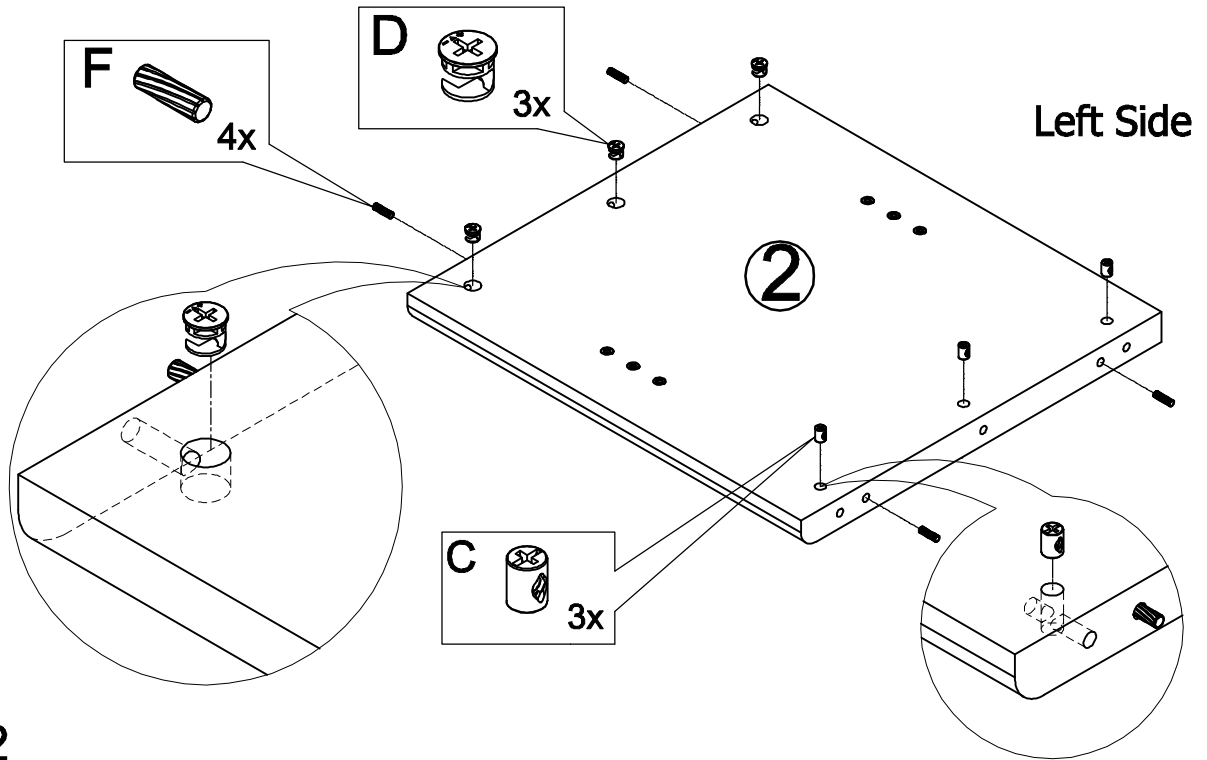
### Tools Required / Not Included



# TD820B

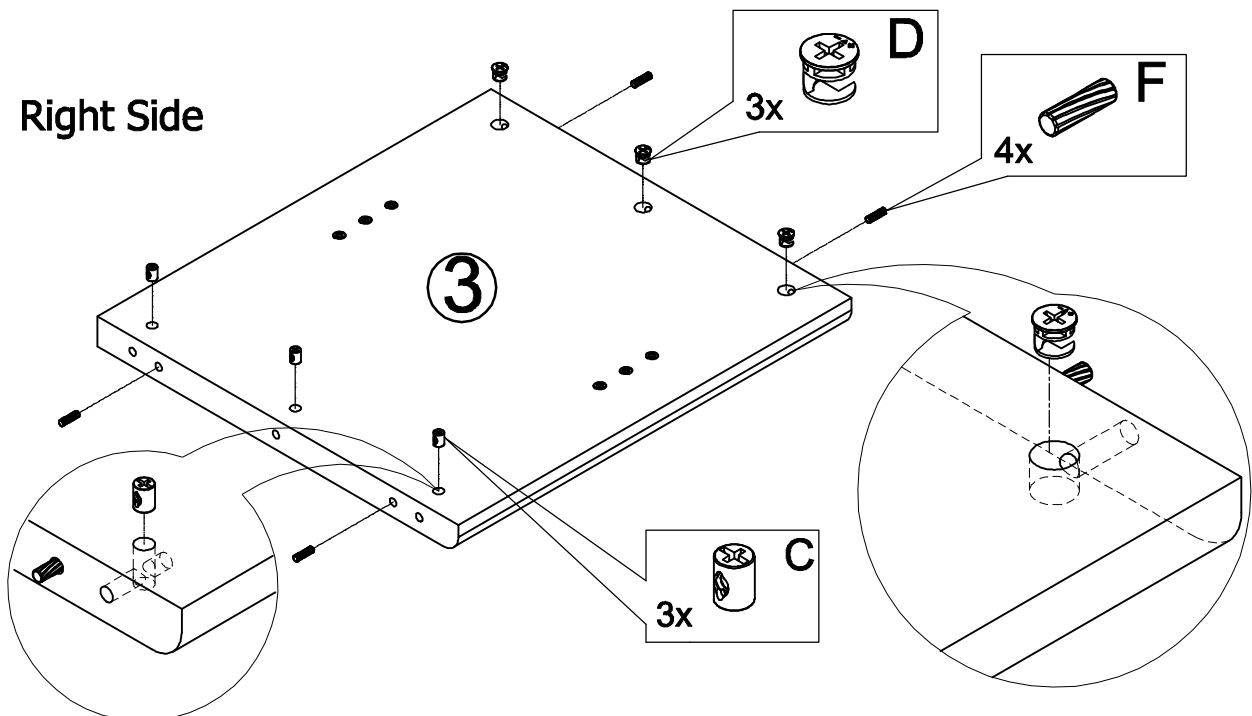
## STEP 1

- 1a. Insert 4 Wood Dowels (F) into Part 2;
- 1b. Insert 3 cams (D) into Part 2;
- 1c. Insert 3 Barrel Nuts into Part 2.



## STEP 2

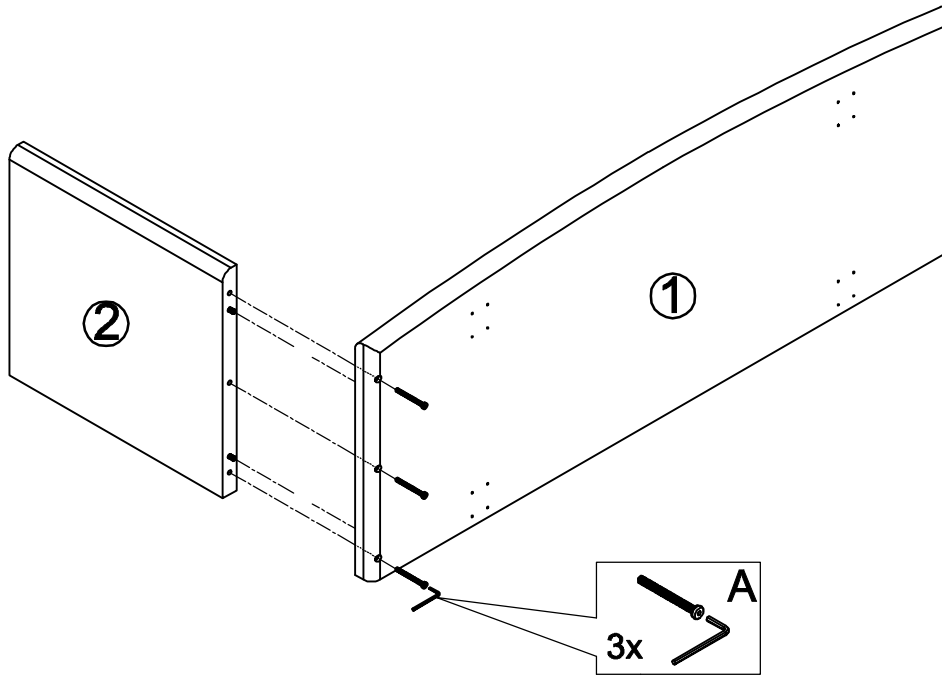
- 2a. Insert 4 Wood Dowels (F) into Part 3;
- 2b. Insert 3 cams (D) into Part 3;
- 2c. Insert 3 Barrel Nuts into Part 3.



# TD820B

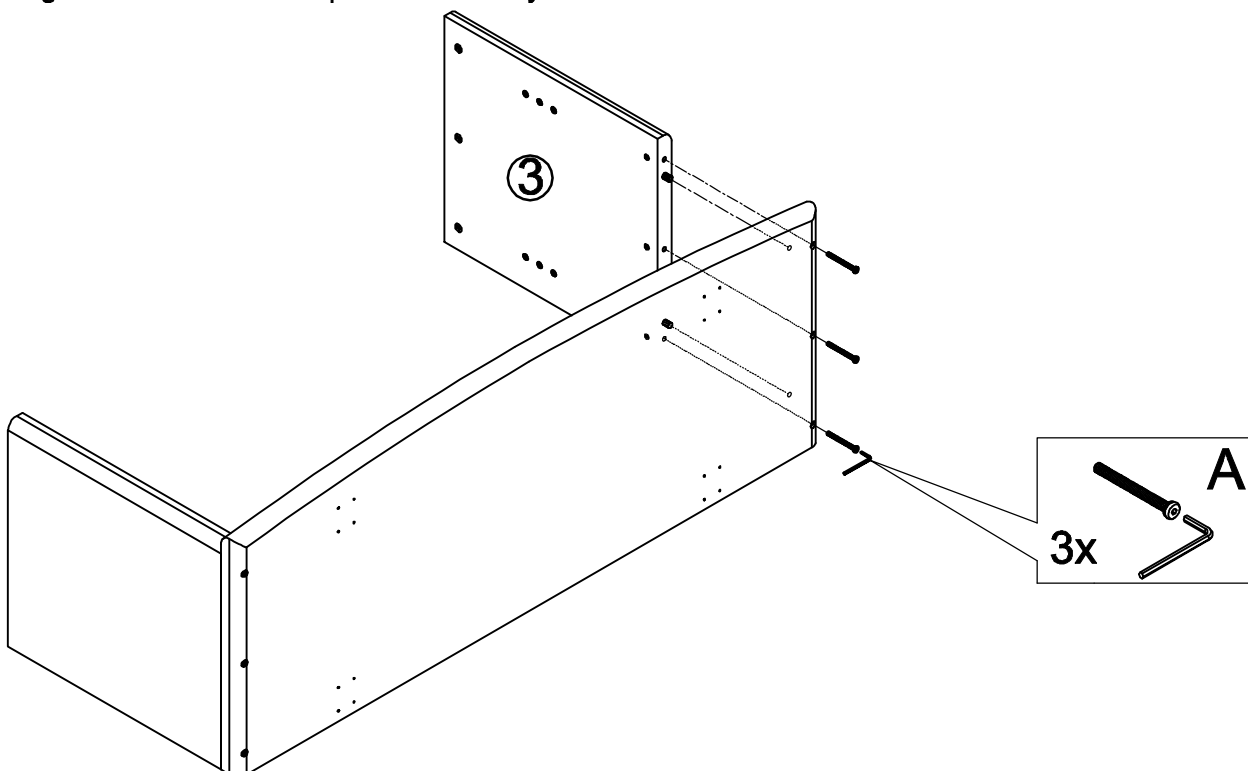
## STEP 3

- 3a. Attach Part 1 and Part 2 with the long screws (A);
- 3b. Tighten 3 screws with the provided Hex Key.



## STEP 4

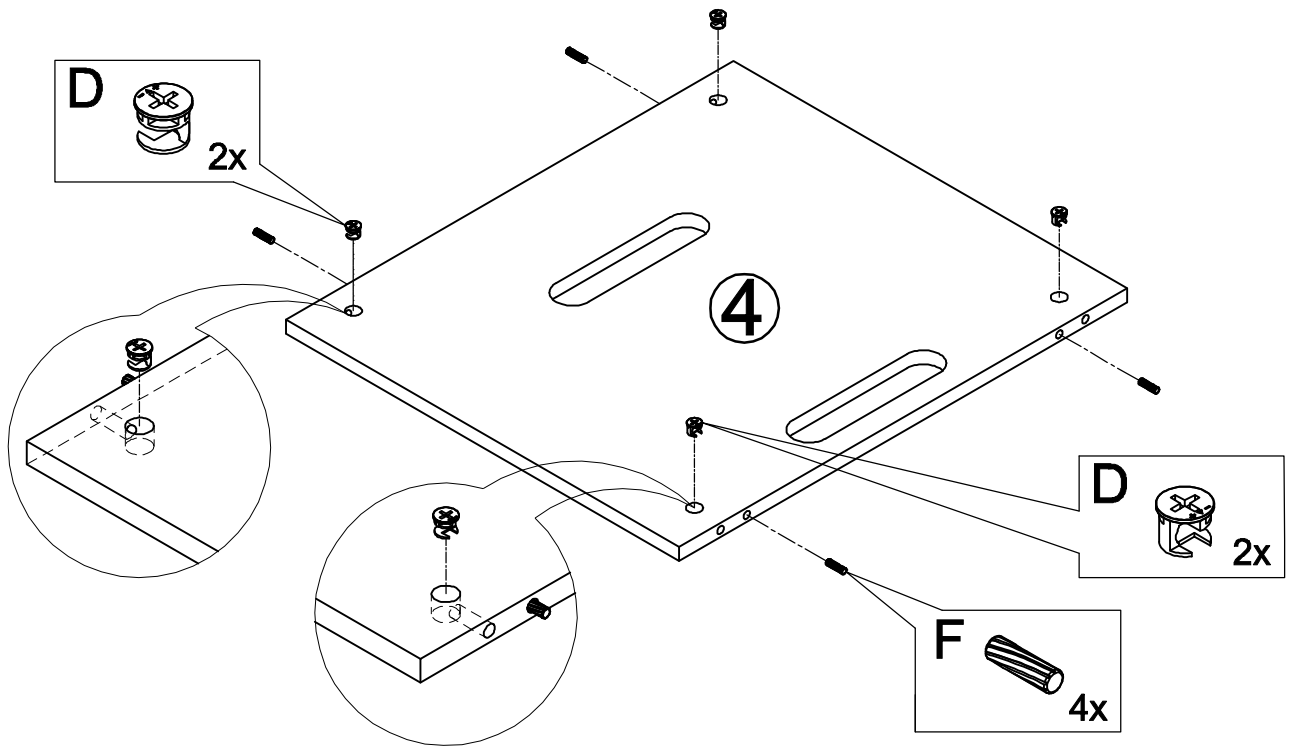
- 4a. Attach Part 1 and Part 3 with the long screws (A);
- 4b. Tighten 3 screws with the provided Hex Key.



# TD820B

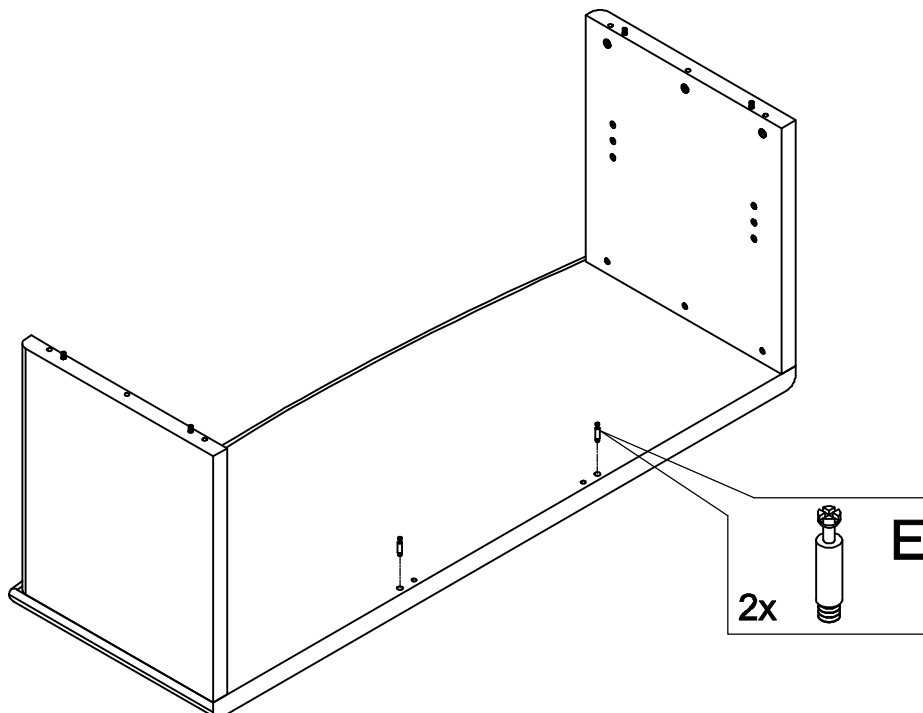
## STEP 5

- 5a. Insert 4 Wood Dowels (F) into Part 4;
- 5b. Insert 4 cams (D) into Part 4.



## STEP 6

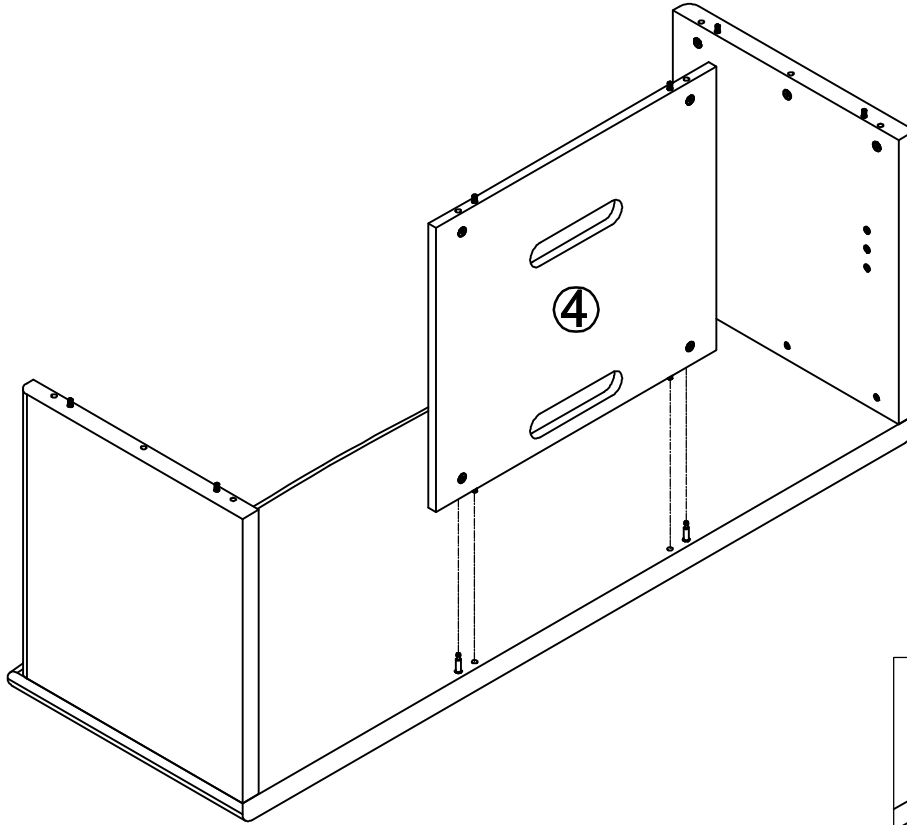
- 6a. Screw 2 Bolts into Bottom Shelf.



# TD820B

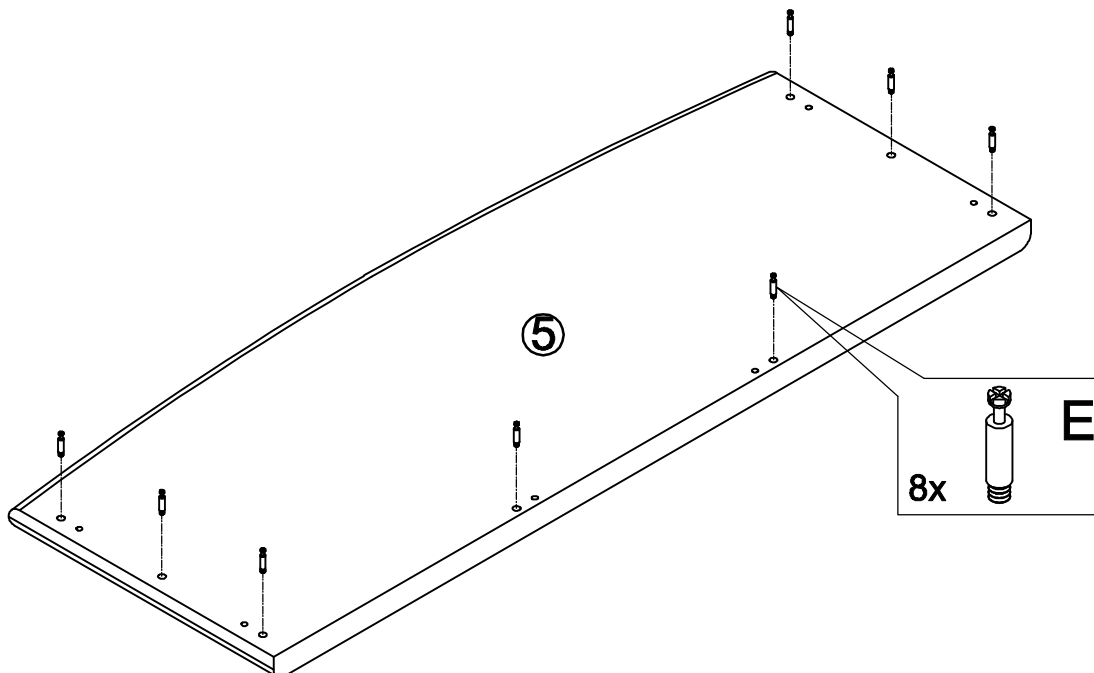
## STEP 7

- 7a. Attach Part 4 to Bottom Shelf;
- 7b. Lock 2 cams installed on Part 4 with a flat head screwdriver.



## STEP 8

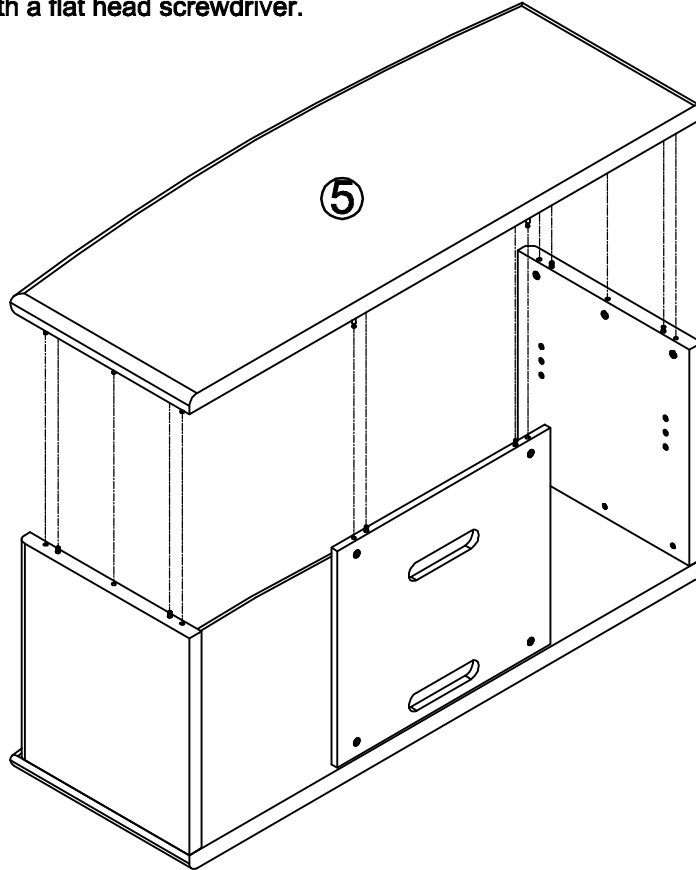
- 8a. Screw 8 Bolts into underside of the Top (Part 5).



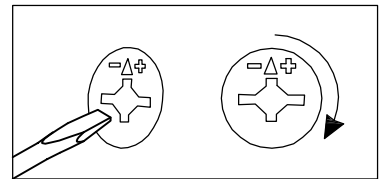
# TD820B

## STEP 9 Two persons to complete this step is recommended.

- 9a. Attach the top to the sides & the back panel;
- 9b. Lock all 8 cams with a flat head screwdriver.

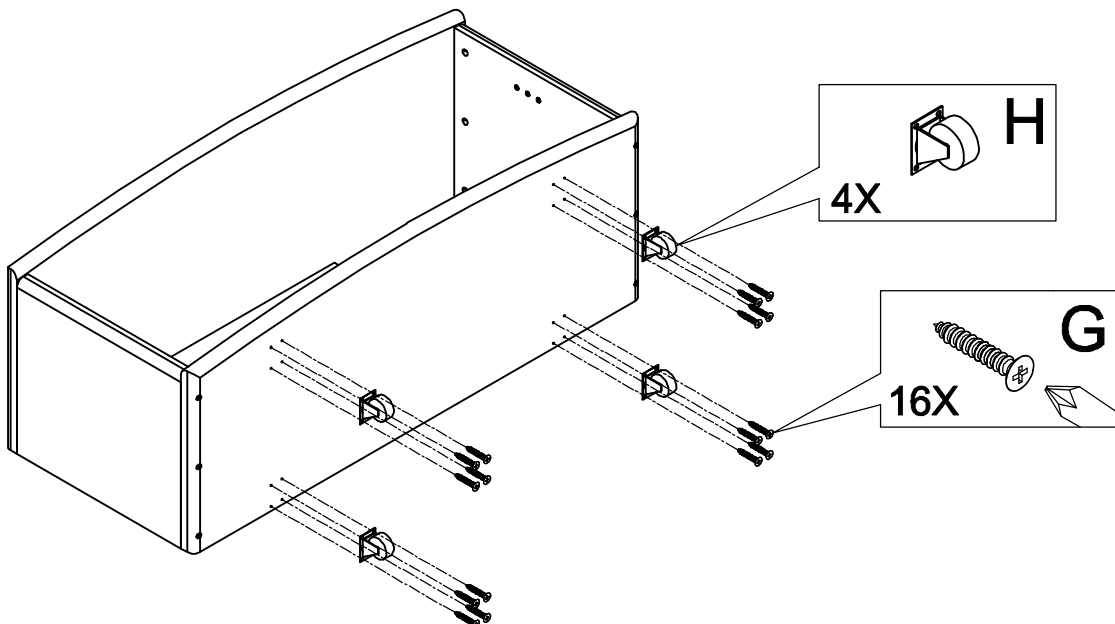


Turn cam 210° clockwise to lock



## STEP 10

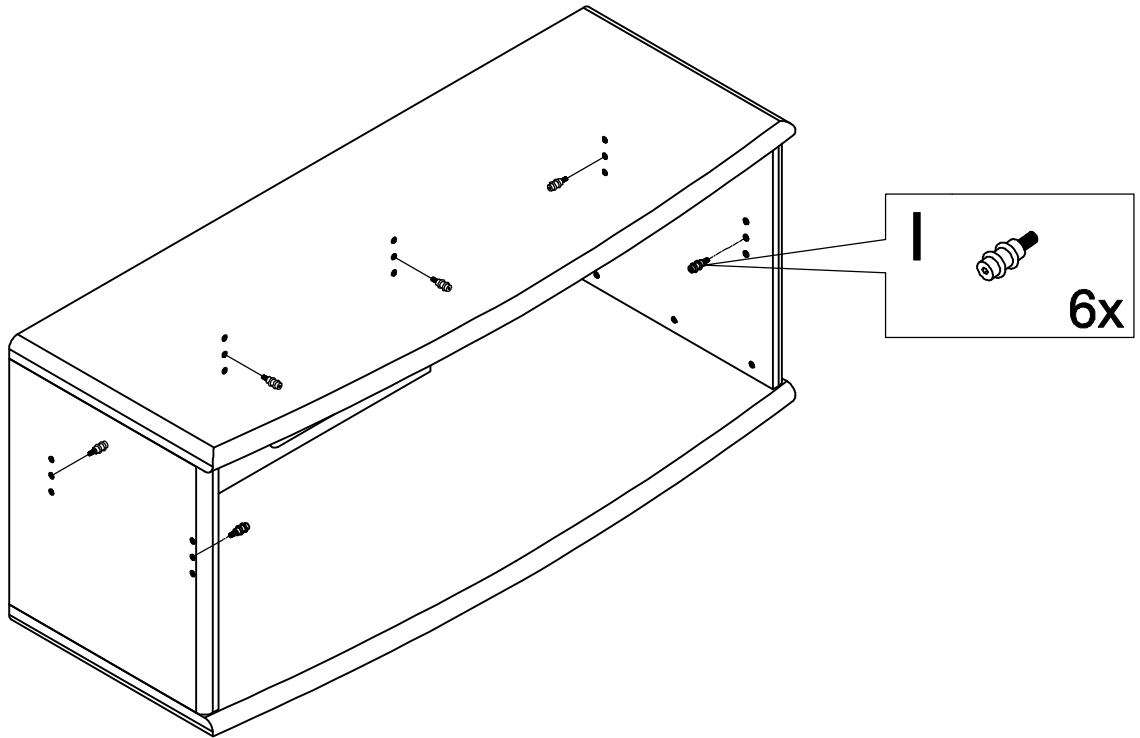
- 10a. Install 4 casters with a Phillips head screwdriver.



# TD820B

## STEP 11

11a. Screw 6 Pins into the sides and back panel.



## STEP 12

12a. Insert the Glass Shelf.

