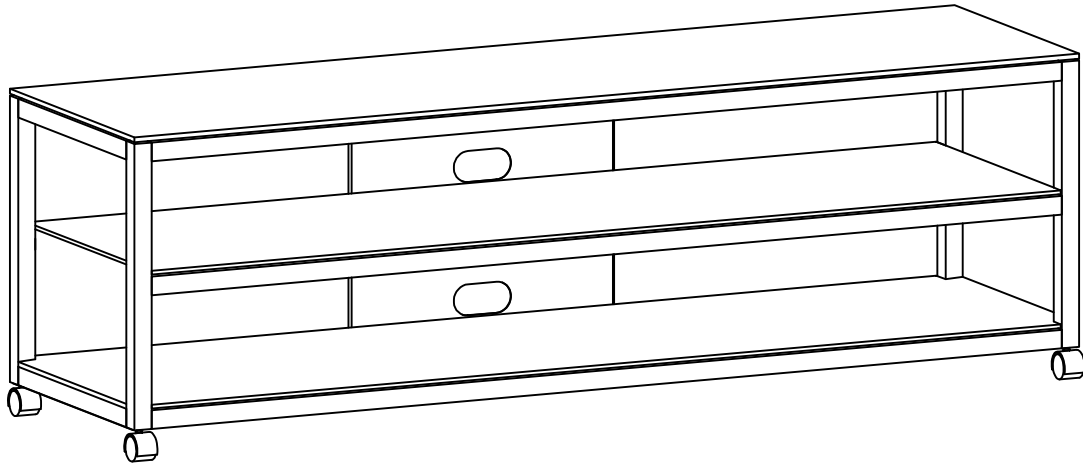




TD585DB

If you have missing parts or questions please email info@transdecointl.com or call 909-606-3833

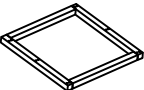




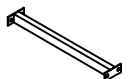
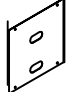
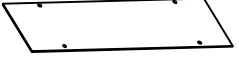


Mon-Fri 9 AM to 5 PM pacific time. Please have your product model number available.



Hardware

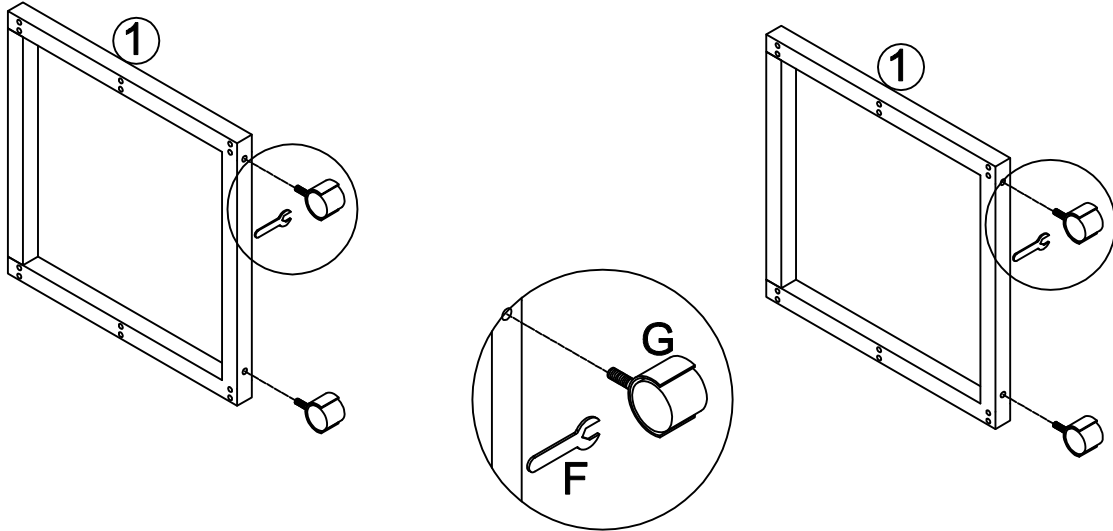
NO.	DESCRIPTION	QTY
A	M6x12mm 	12
B	M6x45mm 	24
C	M6x30mm 	4
D	∅12xT3.5mm 	14
E	M4 	1
F	M13 	1
G	M8 	4

Parts

NO.	DESCRIPTION	QTY
1		2
2	Bottom support beam (Rear) 	1
3		3
4	Top support beam(Rear) 	1
5	Top support beam(Front) 	1
6		2
7		1
8		1
9		1
10		1

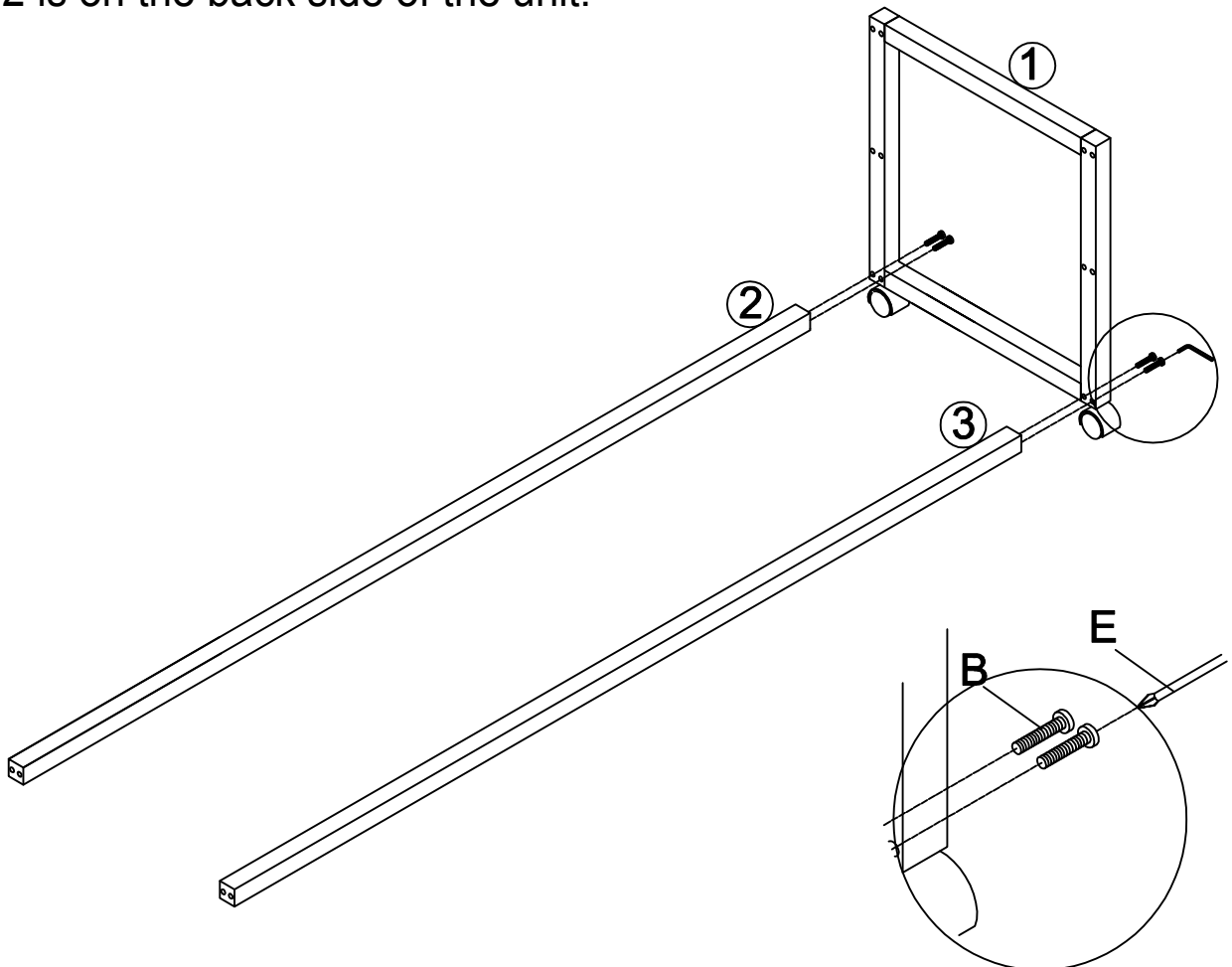
STEP 1

Install casters to side frames as shown.



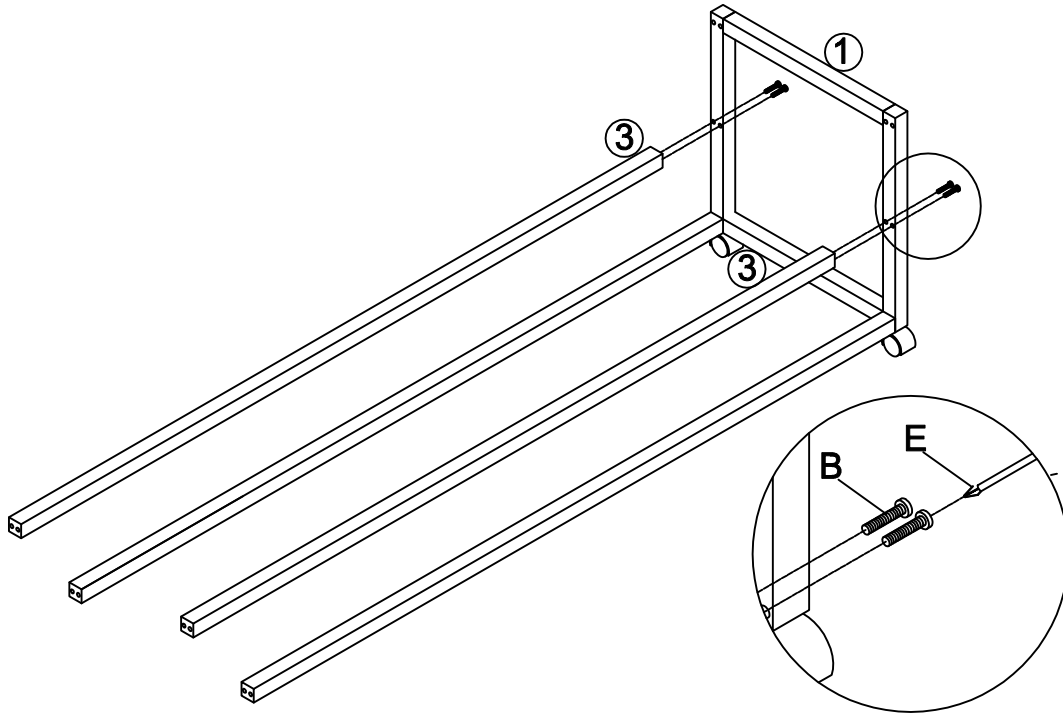
STEP 2

Install the bottom shelf support beams.
Part #2 is on the back side of the unit.



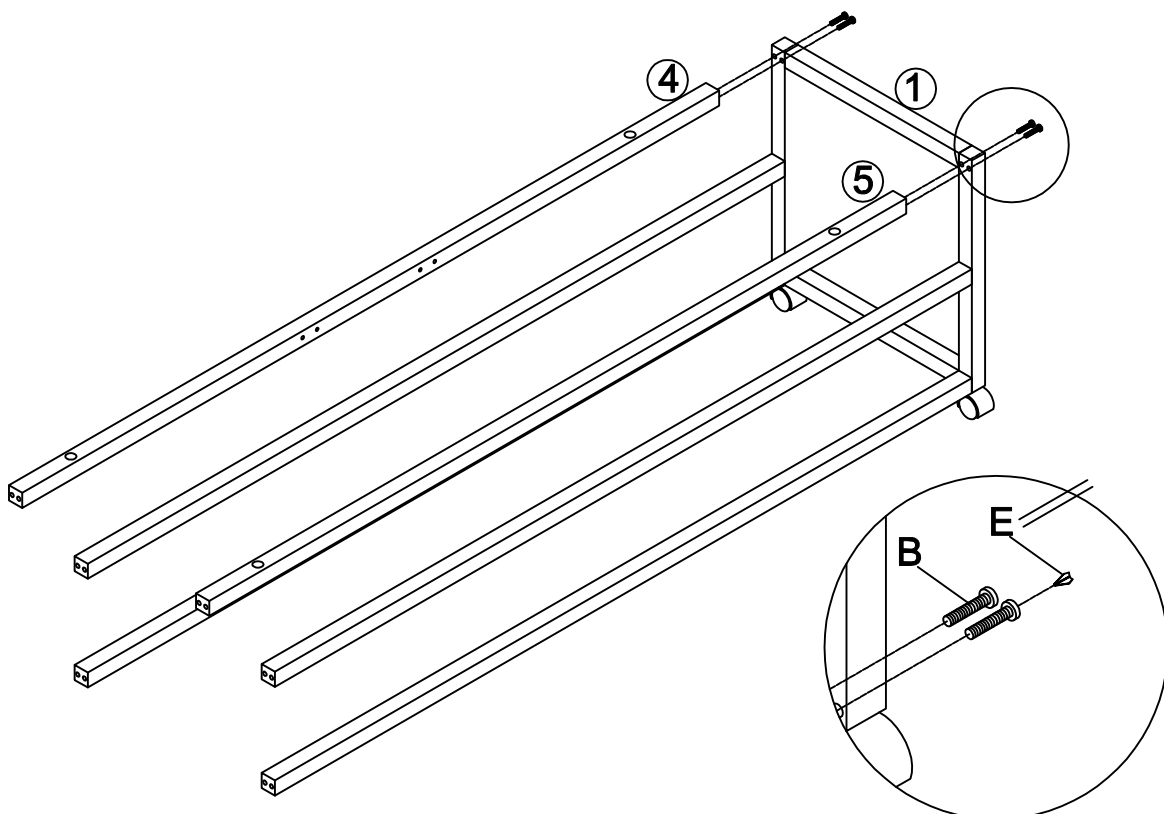
STEP 3

Install the middle shelf support beams (Part #3) as shown.
Do not fasten the screws completely at this point for easy alignment later.



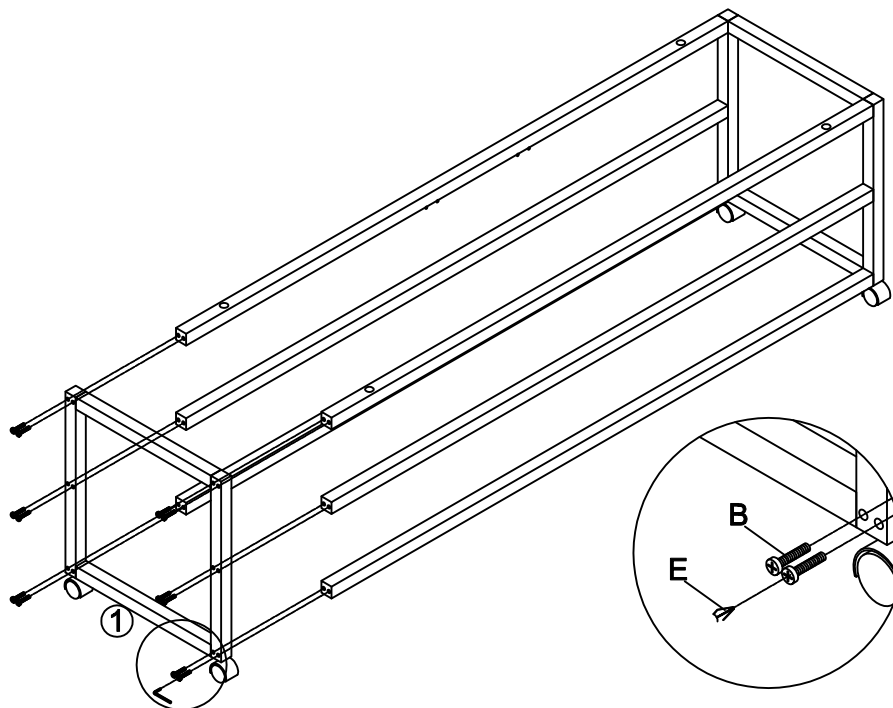
STEP 4

Install the top shelf support beams Part #4 & 5 as shown and check the bigger pre-drilled holes for the glass are on the top of the beam.
Part # 4 is on the back side of the unit.



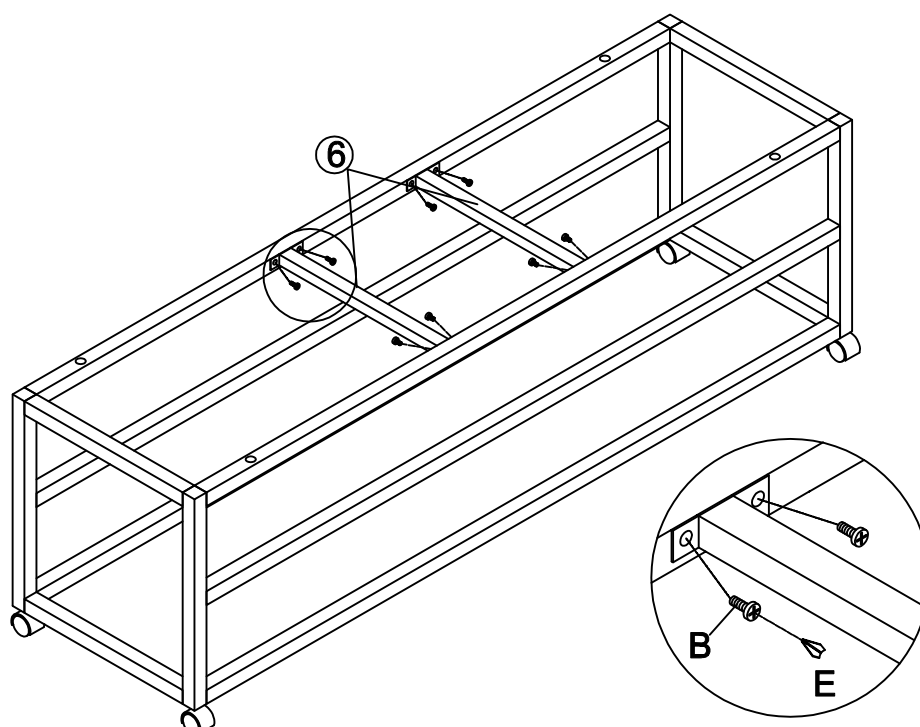
STEP 5

- Install the right side frame as shown.
- Do not fasten any one screw completely until all the beams installed and aligned.
- If there is any difficulty to align a screw hole please loosen the screws at the other end of the beam then align the beam and fasten the screw again.
- Check the alignment of all the beams and tighten all screws.



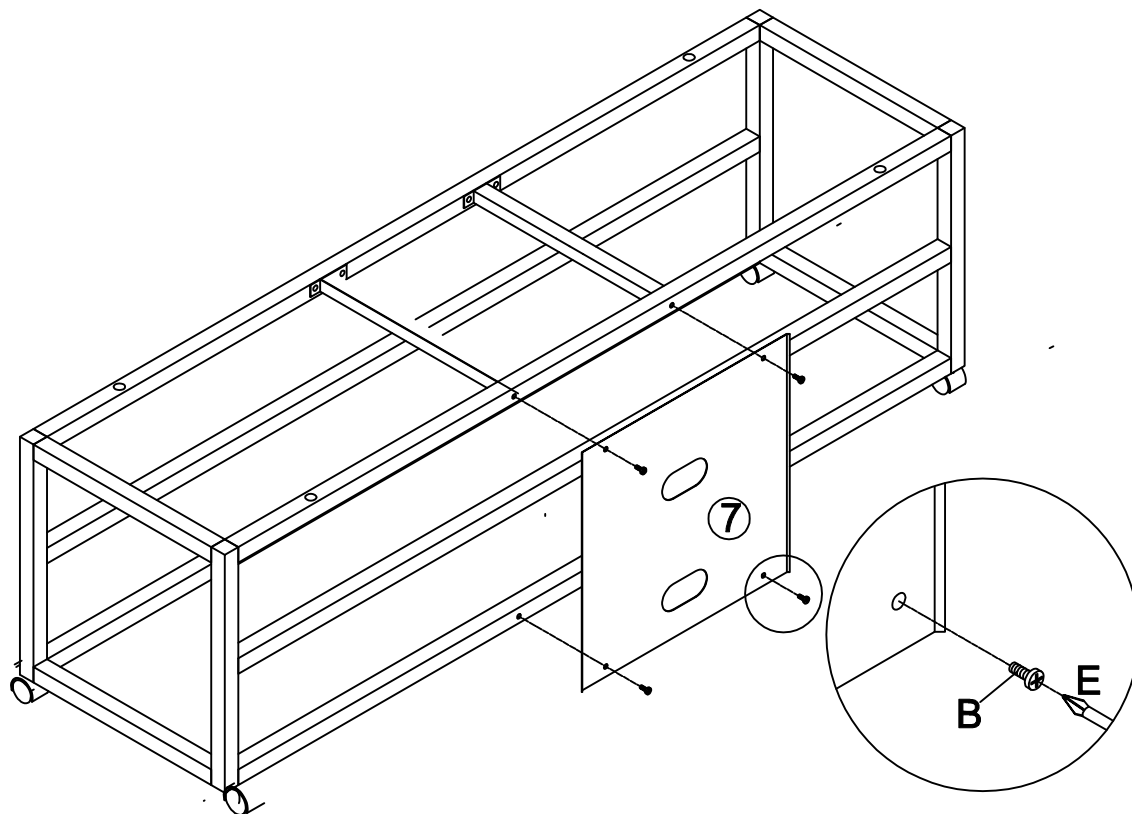
STEP 6

- Install center support beams (Part # 6) as shown.



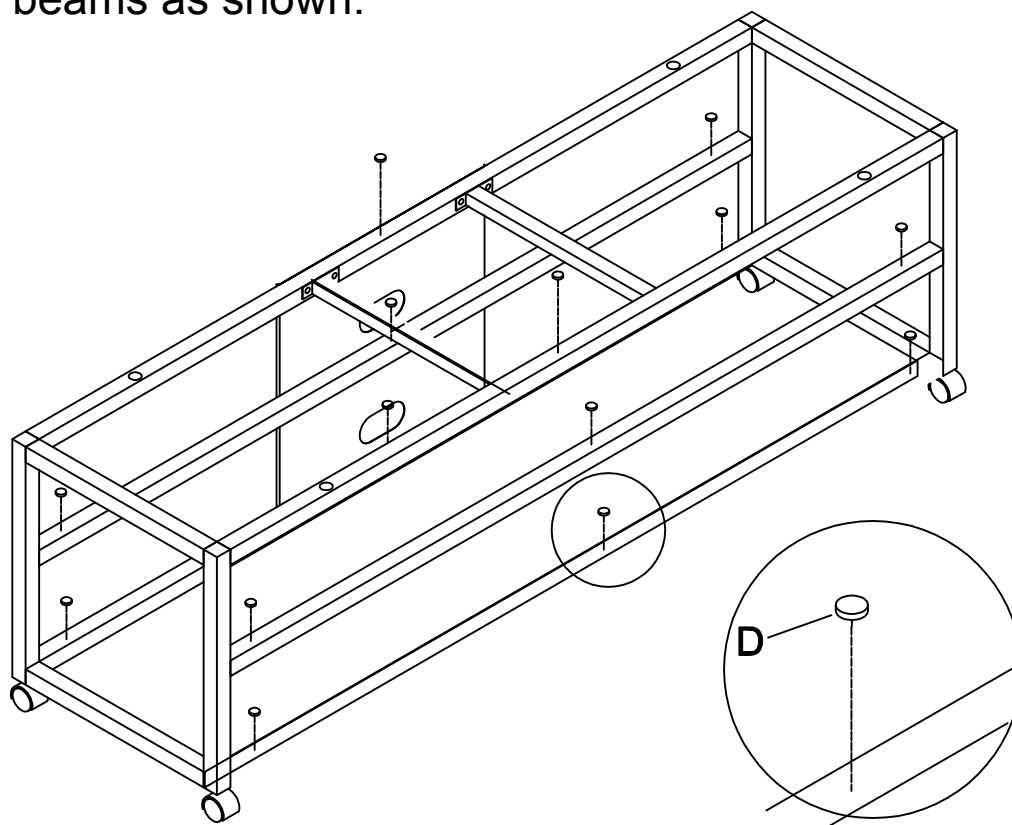
STEP 7

-Install the wire management panel as shown.



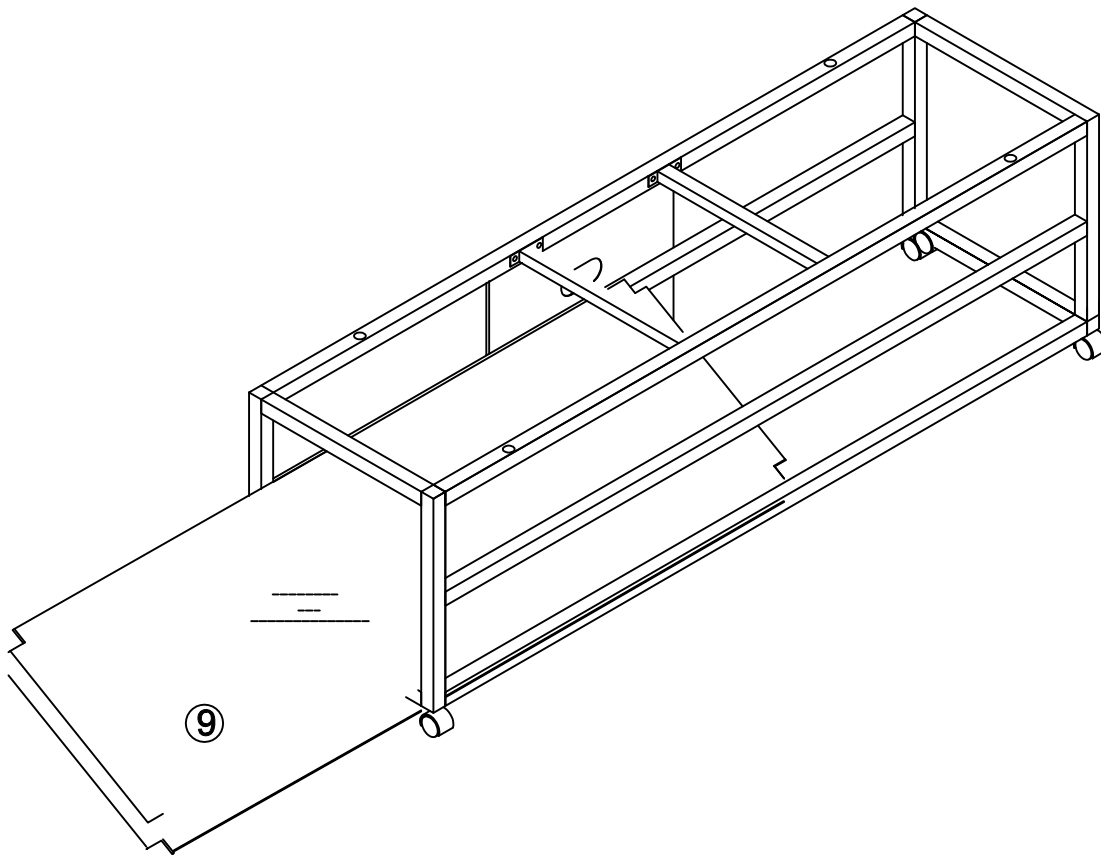
STEP 8

Apply Self-adhesive vinyl surface pads (Part # D) on the beams as shown.



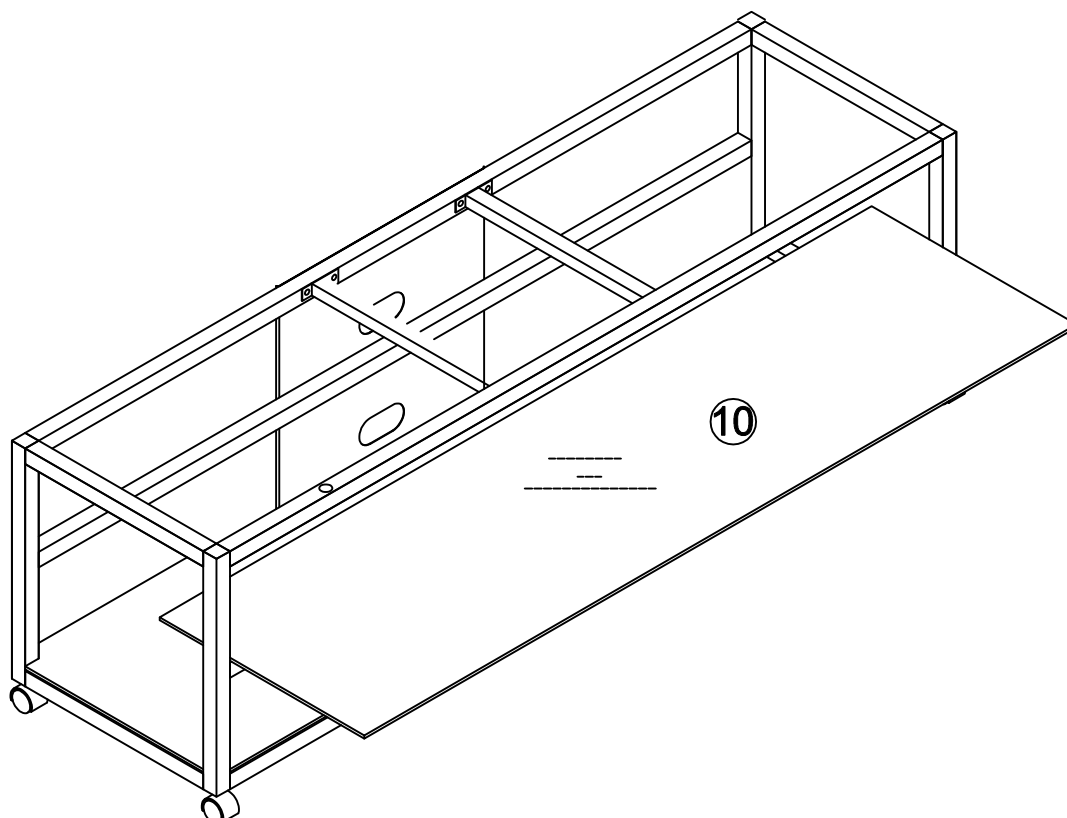
STEP 9

Install the bottom glass shelf as shown.



STEP 10

Install the middle glass shelf as shown.



STEP 11

Install the top glass shelf as shown.
Do not over tighten the screw (part # C)

