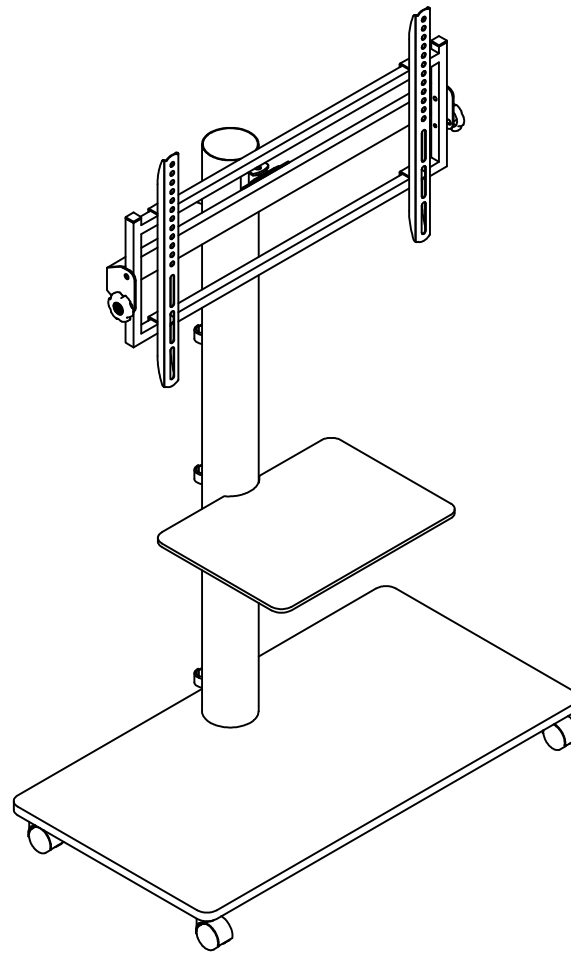


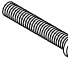




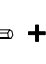








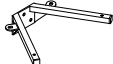
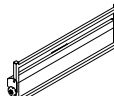

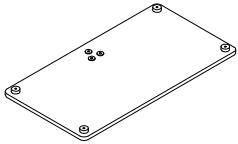
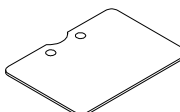


TD570B






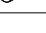







If you have any missing parts or questions please email info@transdecointl.com or call 909-606-3833
 Mon - Fri 9 AM to 5 PM pacific time. Please have your product model number available.



NO.	DESCRIPTION	QTY
A	 M6x8mm	2
B	 M6x15mm	7
C	 M8x42mm	3
D	 M4x15mm	4
E	 Ø25/Ø8.2x2.0	3
F	 M4 +  M5 +  M14	1set
G	 M6x15mm	2
H	 Ø25	4
I	 Ø23xM6x18mm	2
J	 Ø58xM8	4

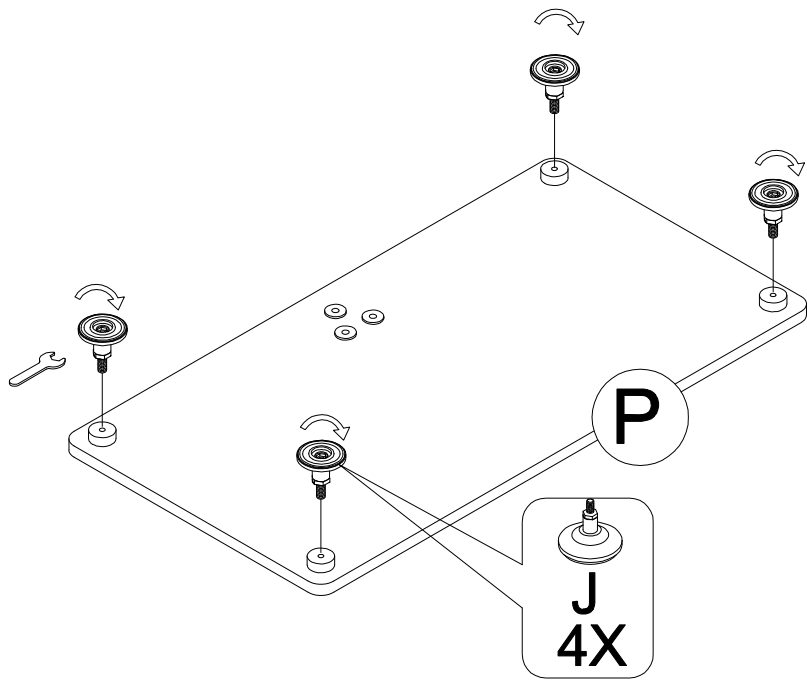
NO.	DESCRIPTION	QTY
K		4
L		1
M		1
N		1
O		2
P		1
Q		1

TV Mounting Hardware

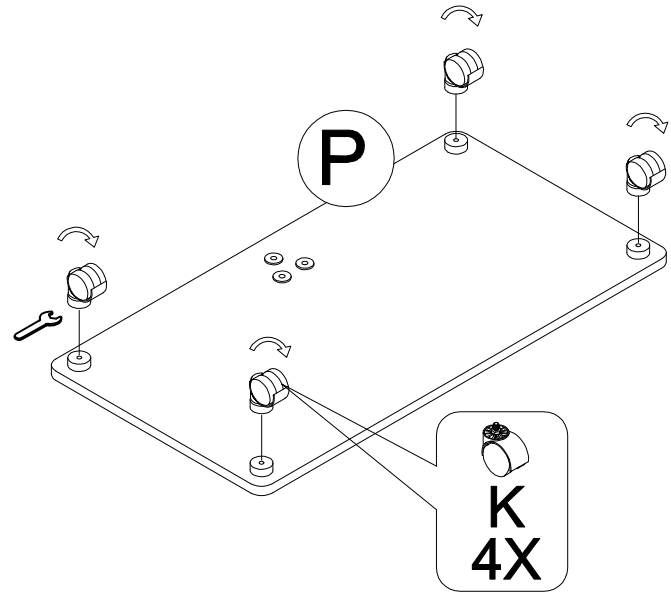
NO.	DESCRIPTION	QTY
S1	 M4x12mm	4
S2	 M5x12mm	4
S3	 M6x12mm	4
S4	 M8x12mm	4
S5	 M4x32mm	4
S6	 M5x32mm	4
S7	 M6x32mm	4
S8	 M8x32mm	4
S9	 Ø19xØ6.2	4
S10	 Ø22xØ8.2	4
S11	 Ø14x14mm	4
S12	 Ø25x13mm	4
S13	 Ø25x2mm	4

STEP 1

- Install the adjustable feet or caster of your choice to the bottom plate.

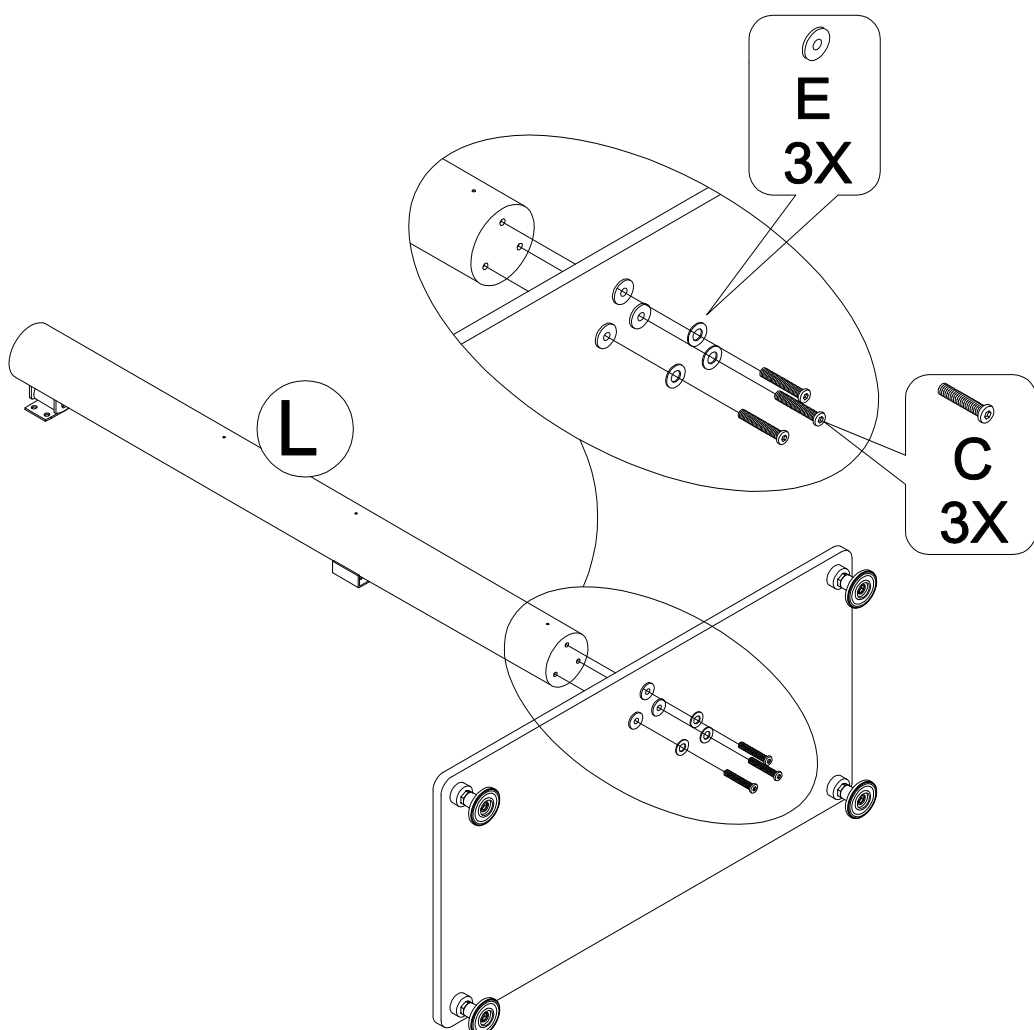


OR



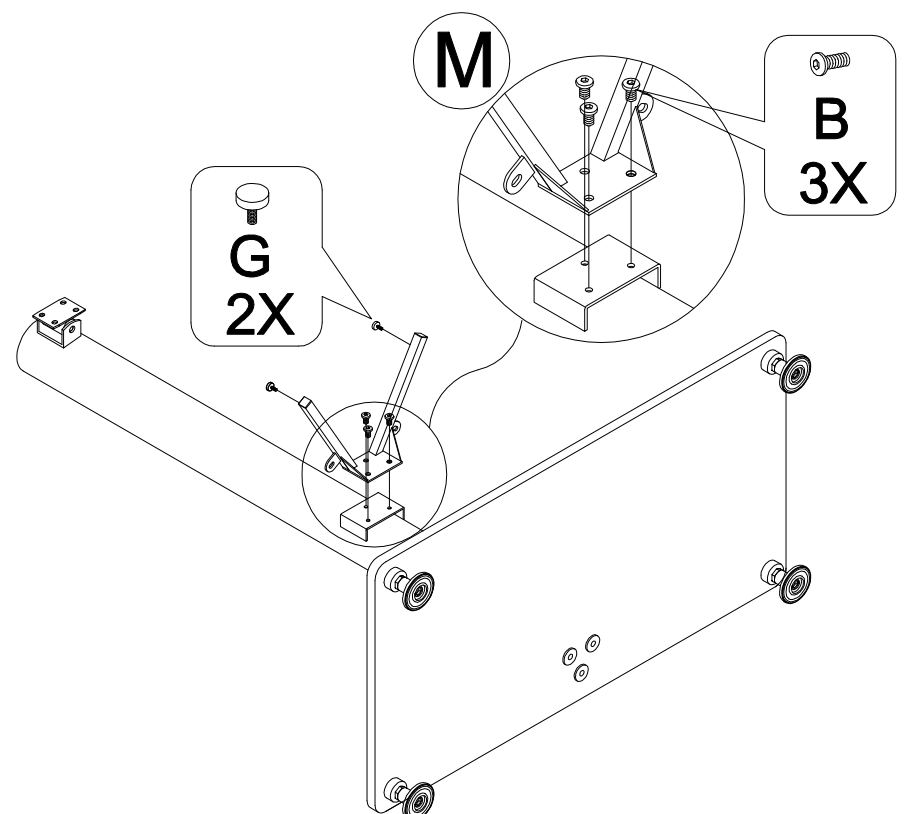
STEP 2

- Attach the main pole (Part L) to the bottom plate as shown.



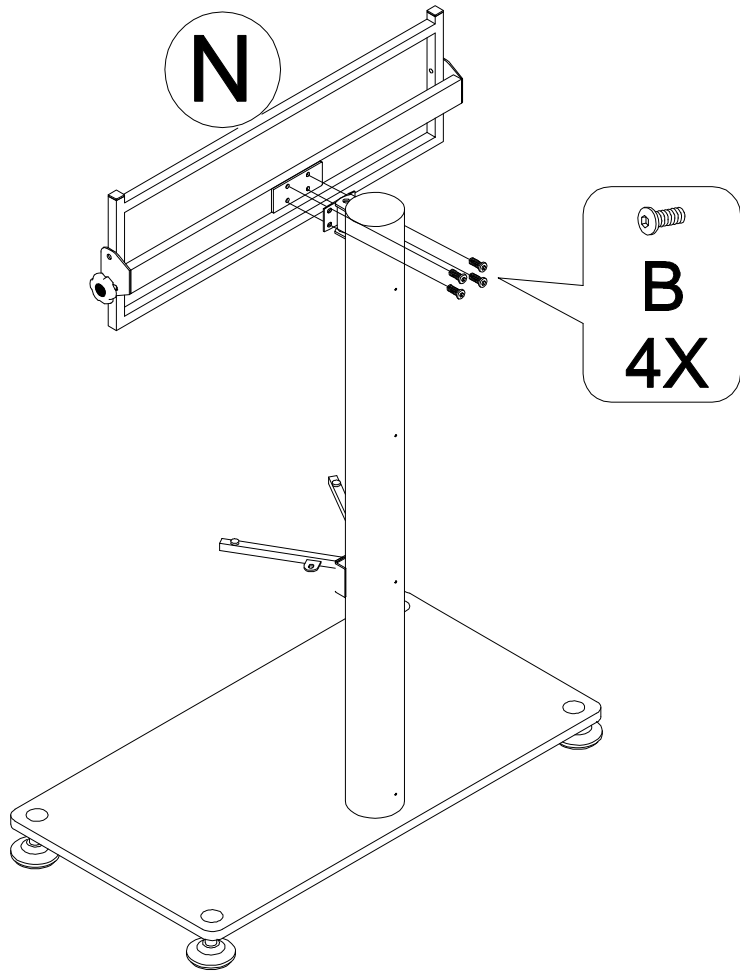
STEP 3

- Install the glass shelf support (Part M) as shown;
- Level the glass shelf support;
- Install the adjustable knobs (Part G).



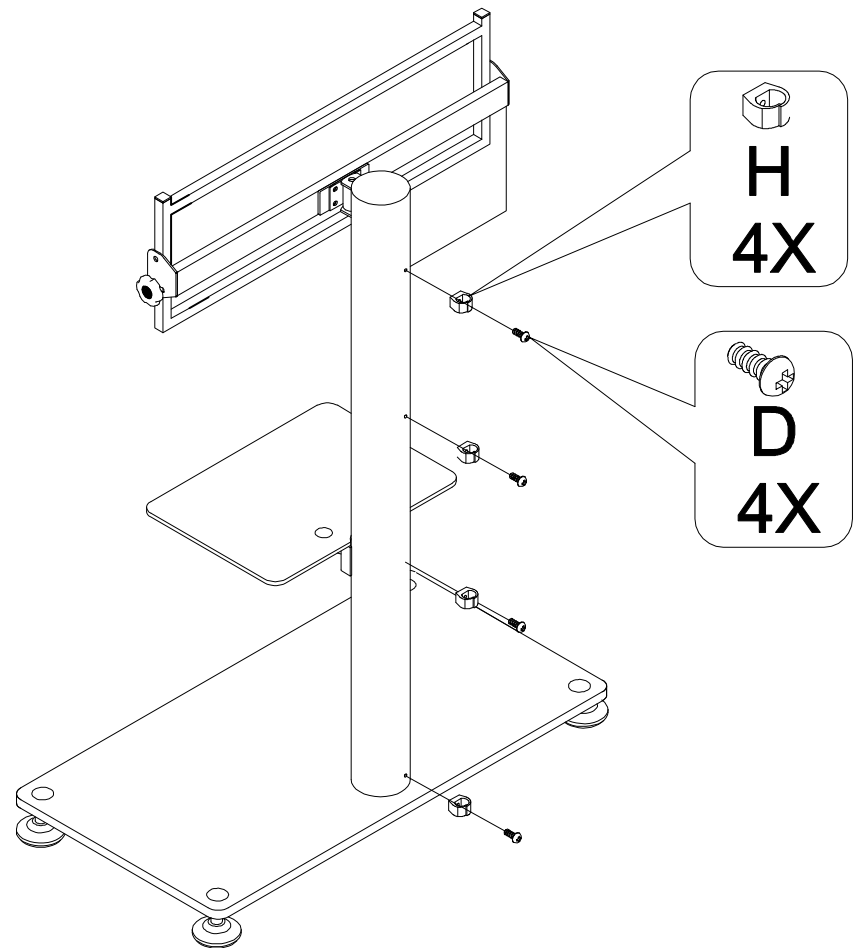
STEP 4

- Install the mounting bracket(Part N)as shown and level the mounting bracket.



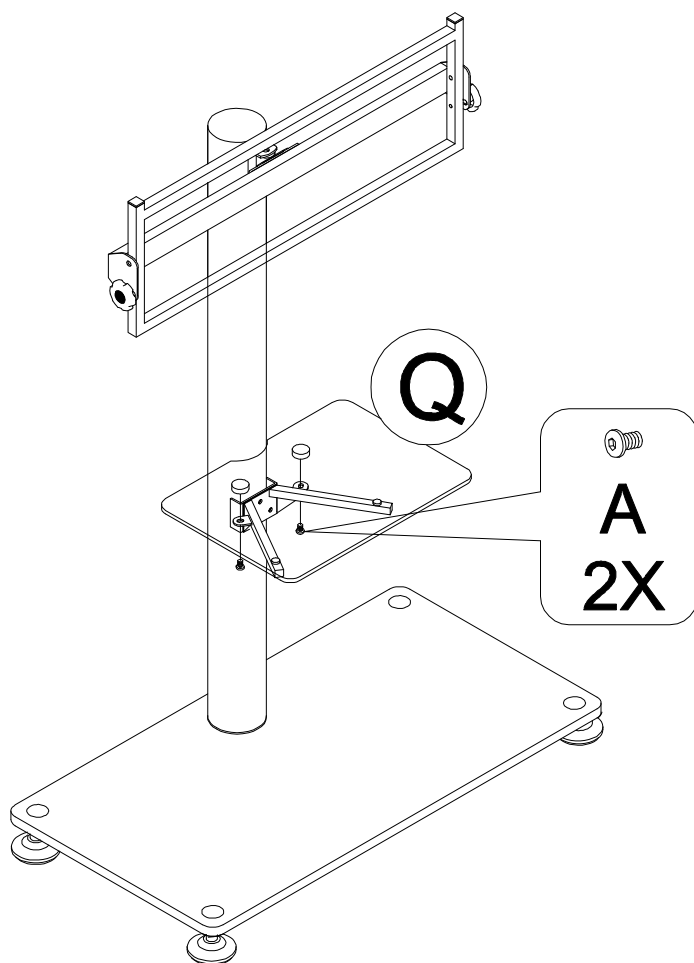
STEP 5

- Install the wire management clips(Part H).



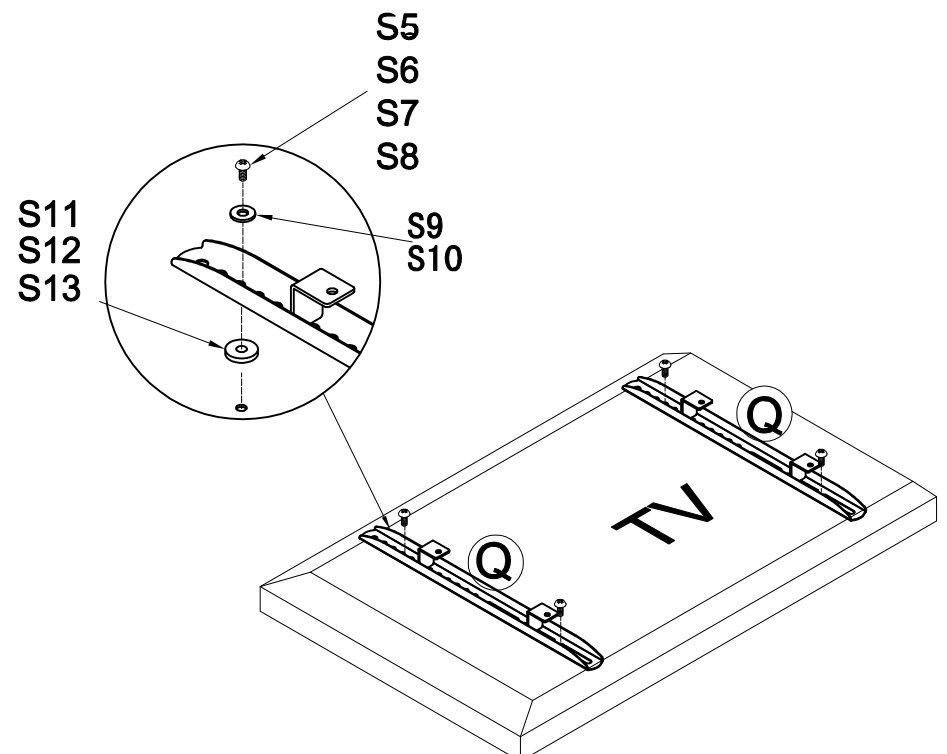
STEP 6

- Install the glass shelf as shown.
- Adjust the knob(Part G)to fully support the glass if necessary.



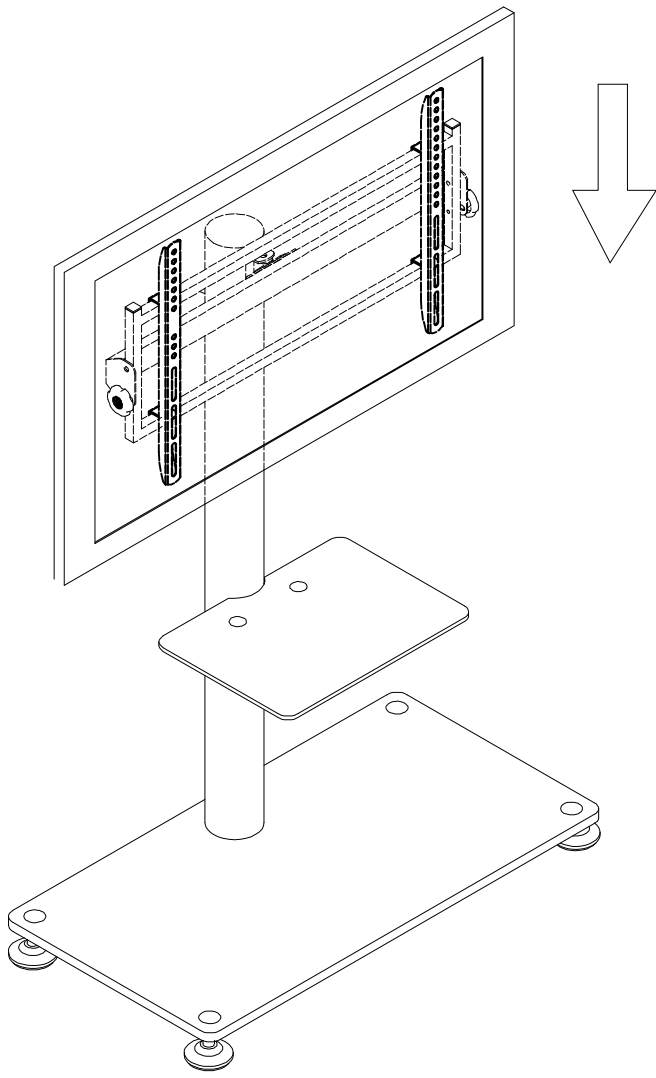
STEP 7

- Attach the TV mounting bracket to the TV;
- * Choose only one screw(S5-S8),one washer(S9-S10), and one spacer(S11-S13)that fit your TC. Keep all other parts for future use. Secure the mounting bracket on the back of the TV.



STEP 8

- Hang the TV to the main mounting bracket.



STEP 9

- Install the safety bolts to the top anchors.
- There is no bolt for lower anchors

