

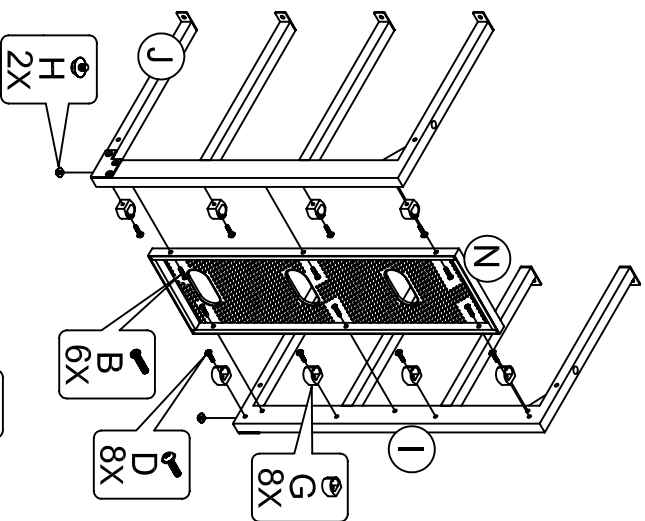


TransDeco

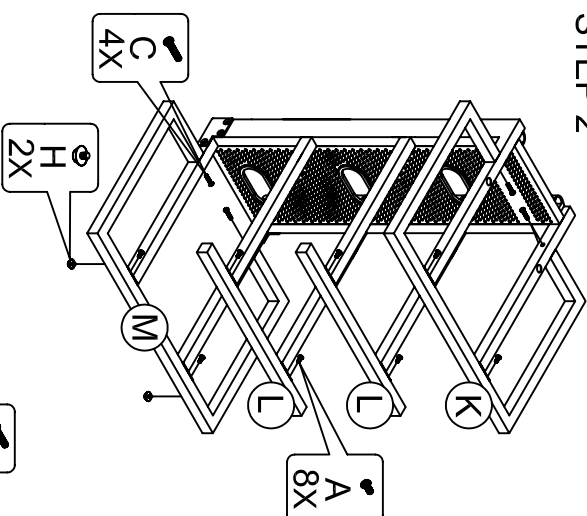
TD510CB

If you have any missing part or question please email to info@transdecointl.com or call 909-606-3833
 Mon-Fri 9 AM to 5 PM PST. Please have your product model number available.

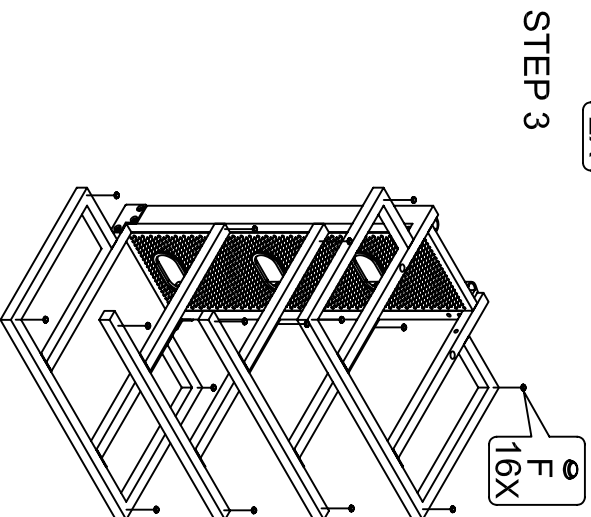
STEP 1



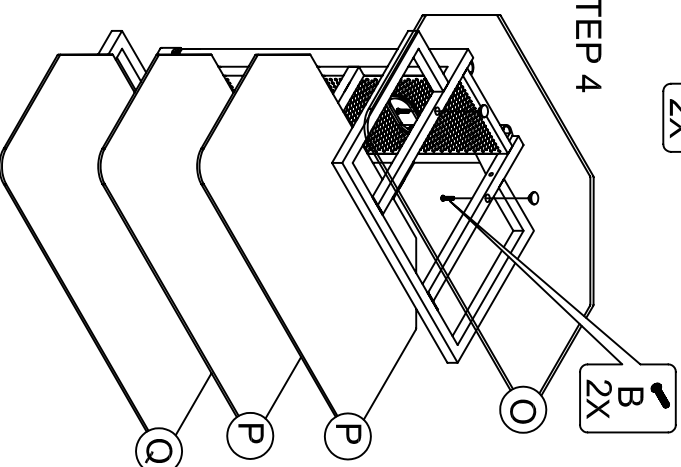
STEP 2



STEP 3



STEP 4



NO.	DESCRIPTION	QTY
A	M6x12mm	8
B	M6x25mm	8
C	M6x38mm	4
D	M4x15mm	8
E	M4	1
F	Ø12x3.5mm	16
G		8
H	M6	4
I		1
J		1
K		1
L		2
M		1
N		1
O	T=8mm	1
P	T=6mm	2
Q	T=6mm	1