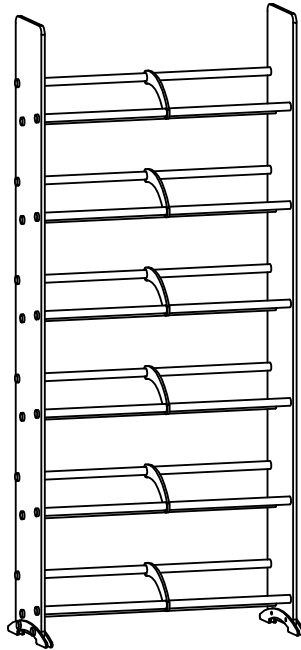




# TD019S

## Assembly Instructions

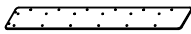



If you have any missing part or question please send email to [info@transdecointl.com](mailto:info@transdecointl.com) or call 1-909-606-3833 for assistance. Please have your product model number ready.



### Hardware

Part #	Description	QTY
A	Screw M6x18mm 	36
B	Metal Cap 	40
C	Brass Washer 	40
D	Screw M6x25mm 	4
E	Metal Washer 	4
F	Nut 	4
G	Allen Wrench 	1
H	Wrench 	1

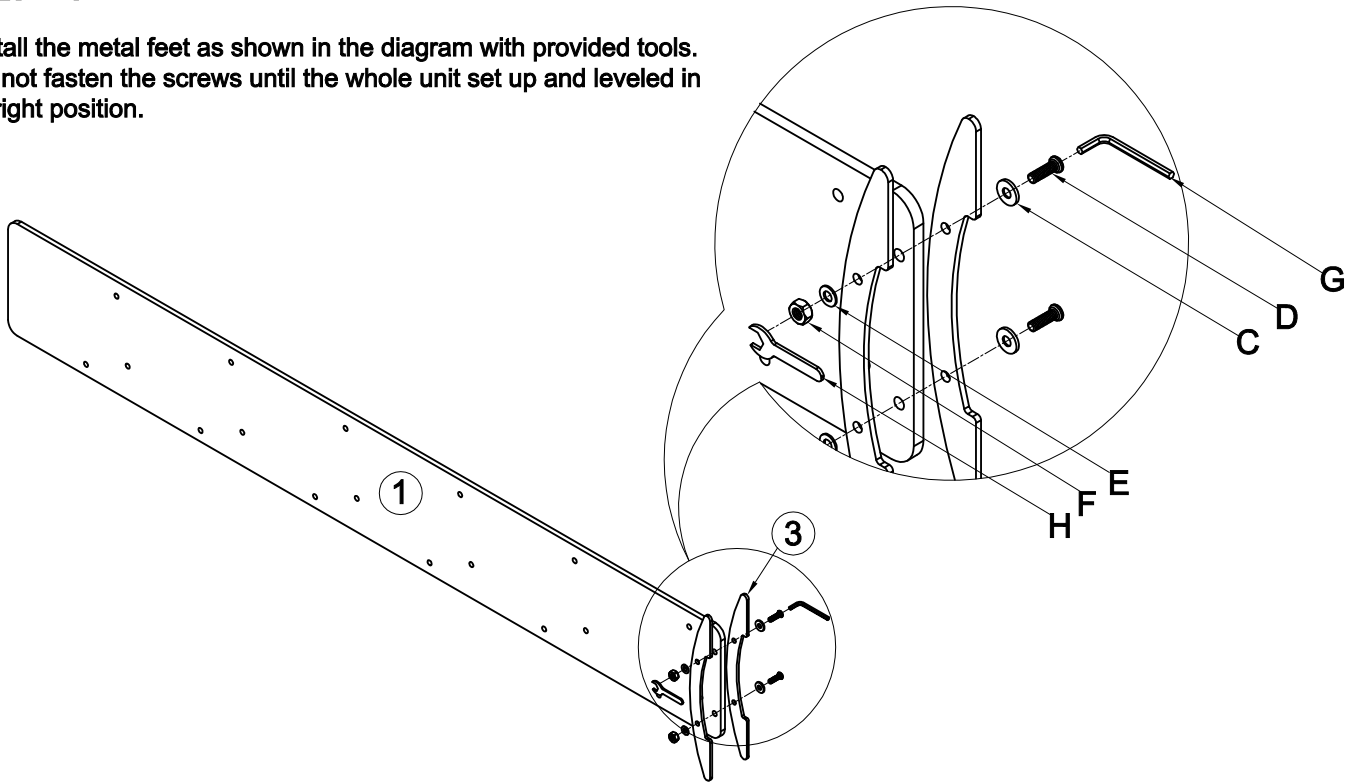
### Parts

Part #	Description	QTY
1	Glass Panel 	2
2	Rod 	18
3	Metal Feet 	4
4	Stopper 	6

# TD019S

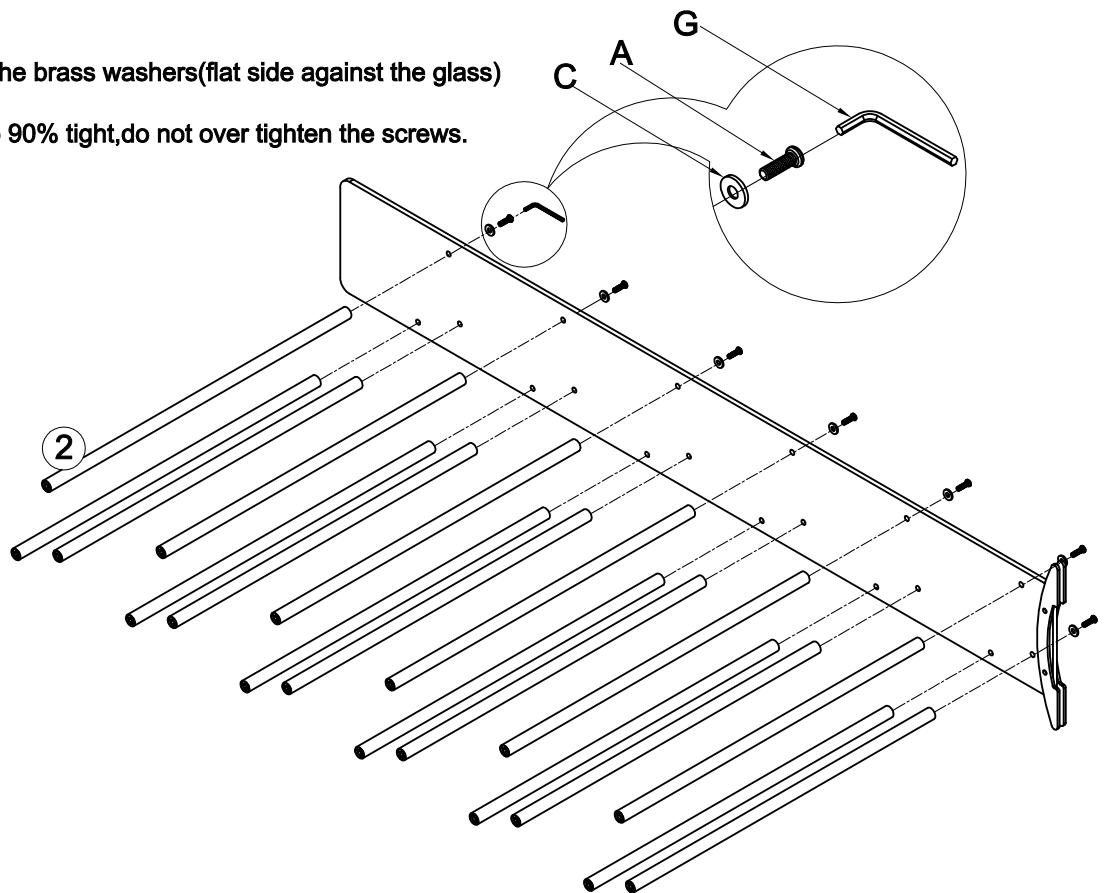
## STEP 1

- 1a. Install the metal feet as shown in the diagram with provided tools.
- 1b. Do not fasten the screws until the whole unit set up and leveled in upright position.



## STEP 2

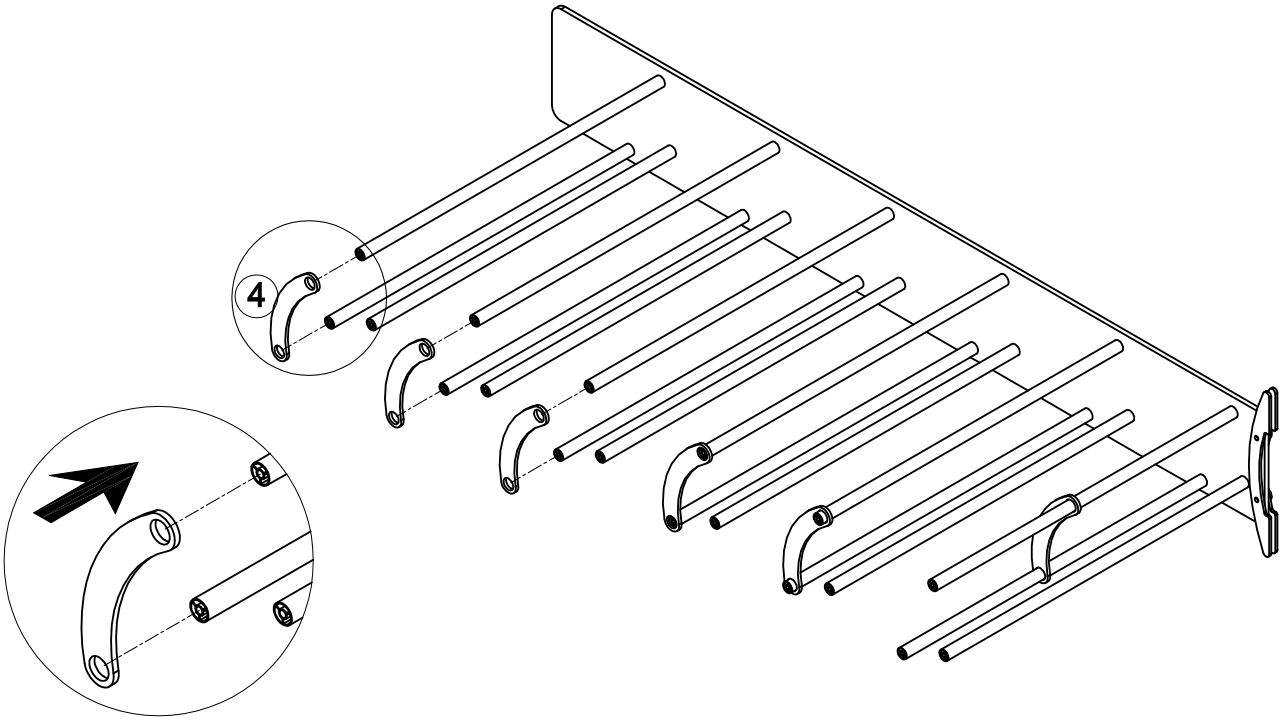
- 2a. Install the rods with the brass washers (flat side against the glass) and screws (Part A).
- 2b. Fasten the screws to 90% tight, do not over tighten the screws.



# TD019S

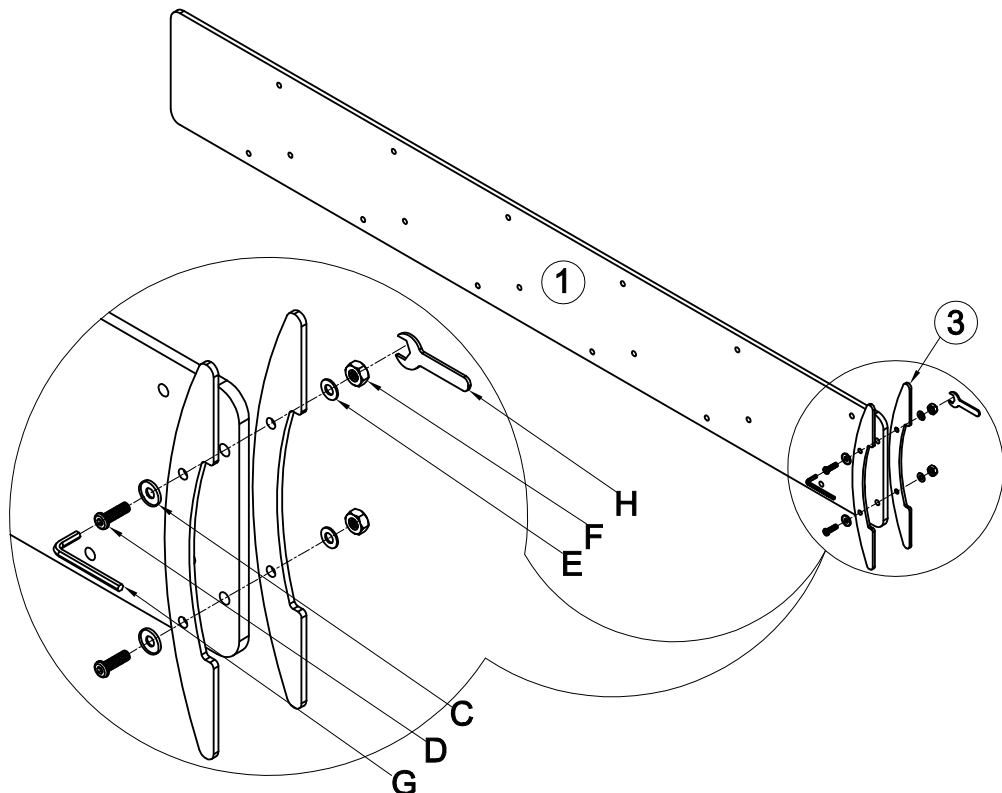
## STEP 3

Insert the stoppers into the rods as shown.



## STEP 4

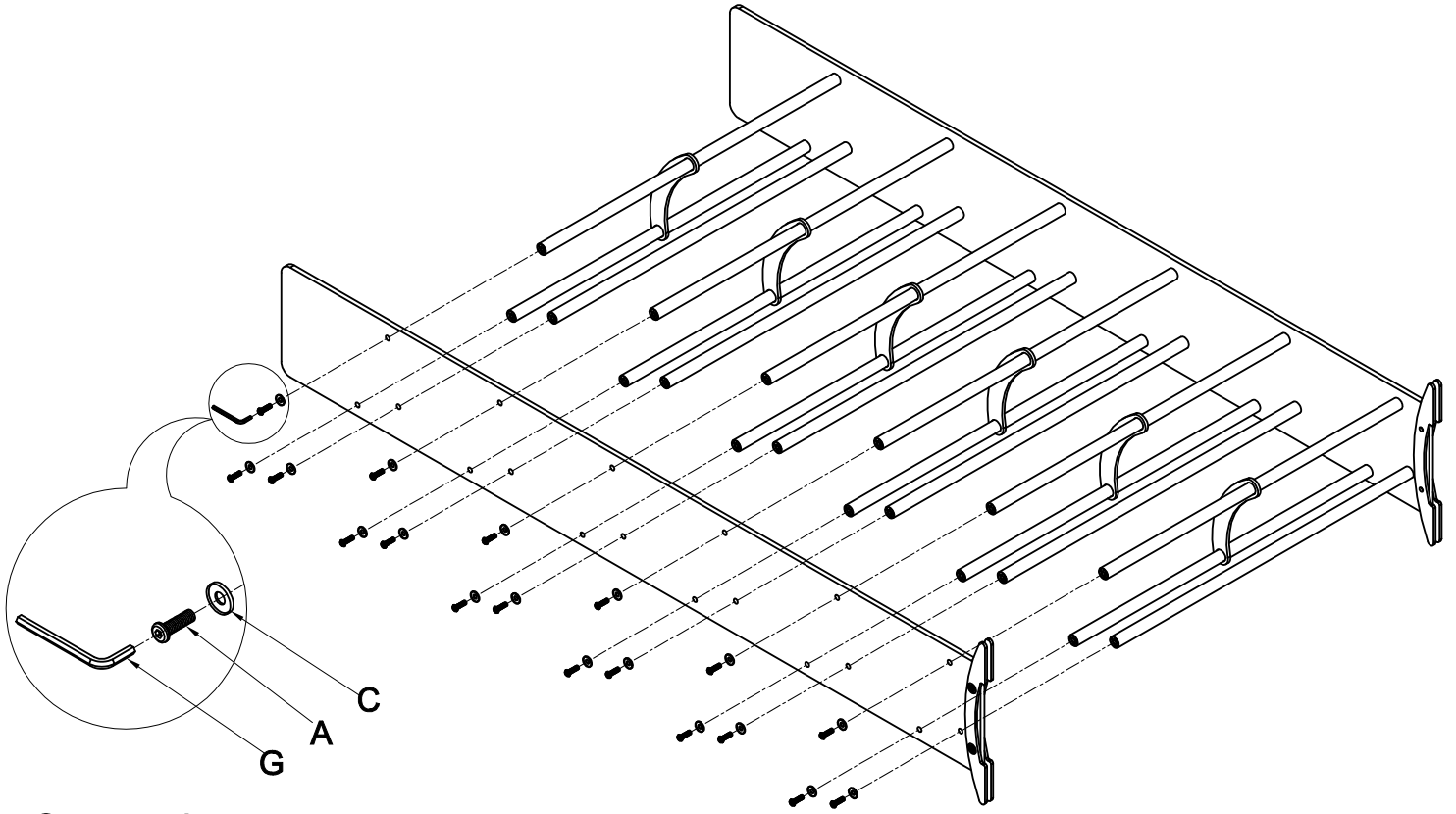
- 4a. Install the metal feet as shown in the diagram with provided tools.
- 4b. Do not fasten the screws until the whole unit set up and leveled in upright position.



# TD019S

## STEP 5

- 5a. Install the glass panel with the brass washers (flat side against the glass) and screws (Part A).  
5b. Fasten the screws to 90% tight, do not over tighten all the screws.



## STEP 6

- 6a. Slide each stopper from one side to the other, if it's not smooth then adjust the rod(s);  
loosen the screw(s) if necessary.  
6b. Level the metal feet and fasten all the screws. Do not over tighten the screws.  
6c. Install all the caps.

